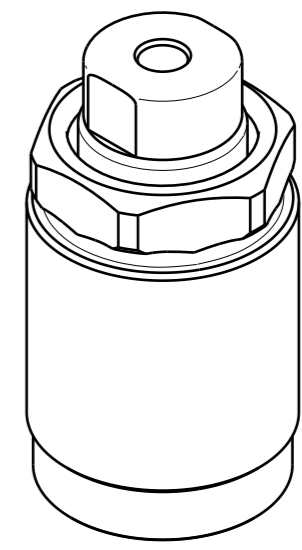
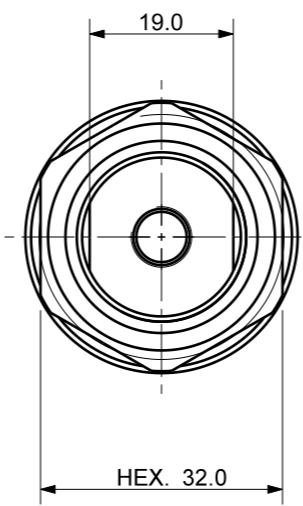
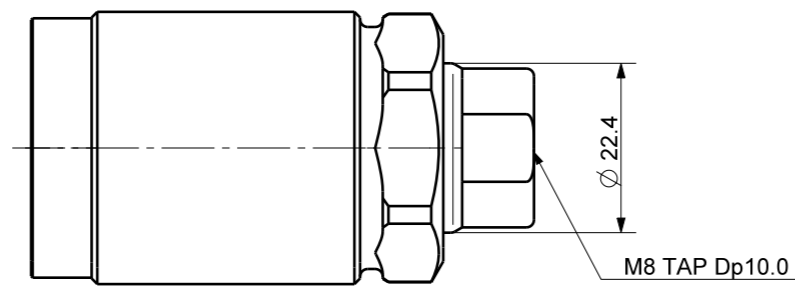


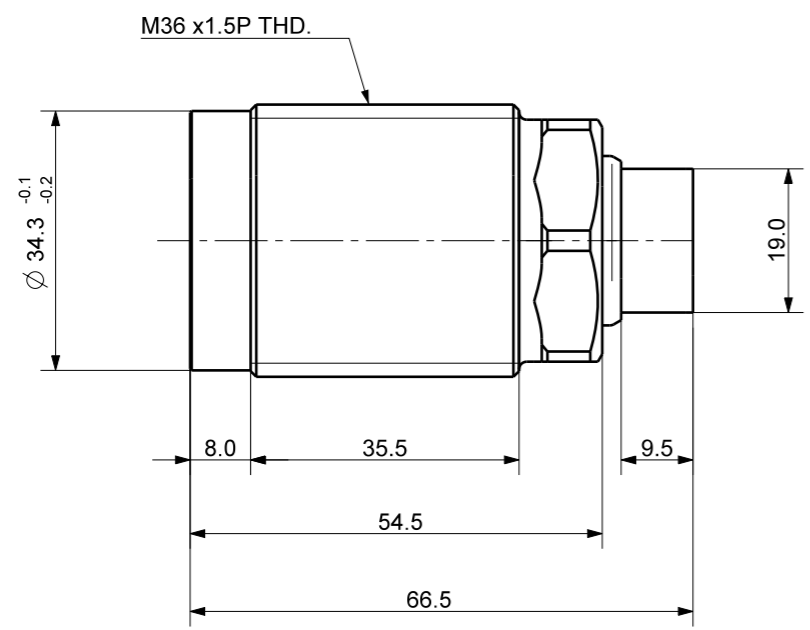
FILE NAME:

REVISIONS

ZONE	LTR	DESCRIPTION	DATE	APPROVED
------	-----	-------------	------	----------



Isometric view (1:1)



DET. NO	NAME	QTY	MAT'L	FINAL SIZES & PART No	REMARK
---------	------	-----	-------	-----------------------	--------

UNLESS OTHERWISE SPECIFIED  
 DIMENSIONS ARE IN MM  
 ALL SURFACES 6.3S  
 TOLERANCES  
 ANGLE ±  
 .X ±  
 .XX ± 0.15  
 ±

SIGNATURES	MO-DA-YR
DRAWN	
CHECKED	
APPROVED	

**KJF** 케이제이에프(주)  
 TOTAL CLAMPING SYSTEMS

TITLE  
**MANIFOLD TYPE  
 THD. BODY CLAMP**

WORK ORDER NO	REF DWG NO.	DWG NO <b>MTB-2215</b>	<b>A3</b>
FINISH	SCALE	TOOL <input type="checkbox"/> PART <input type="checkbox"/> SHEET	OF
HEAT TREAT			