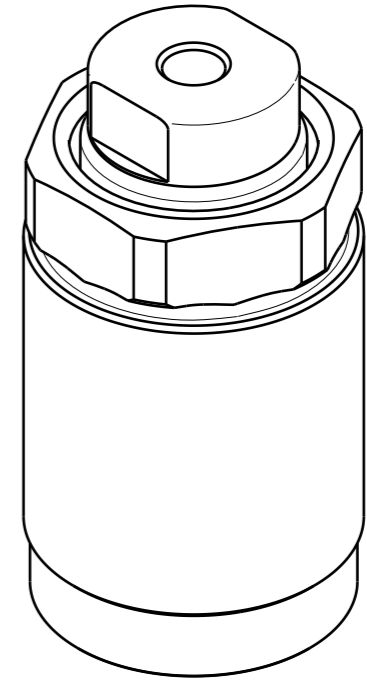
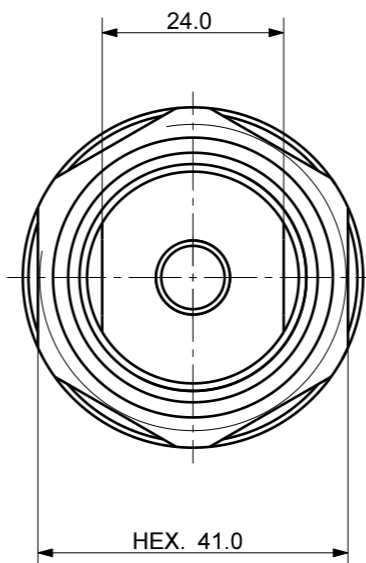
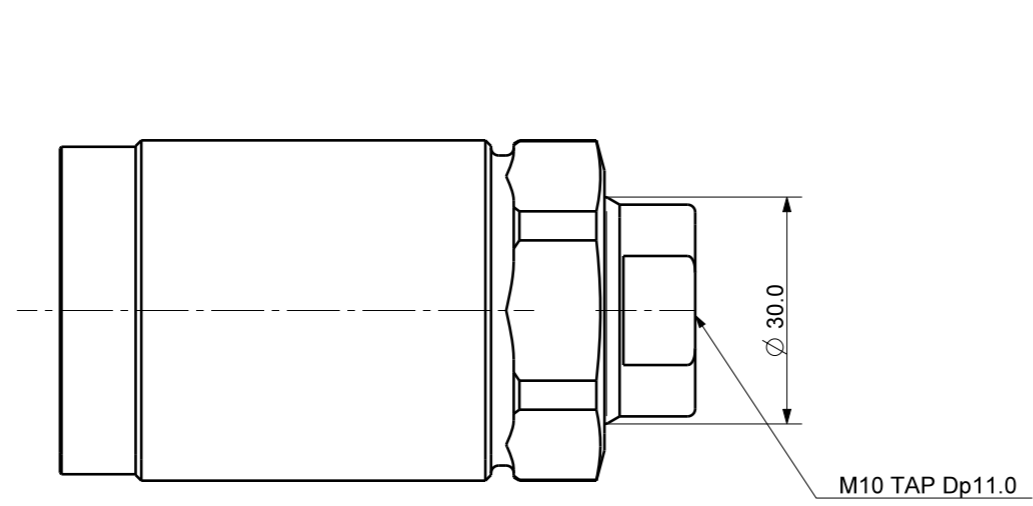
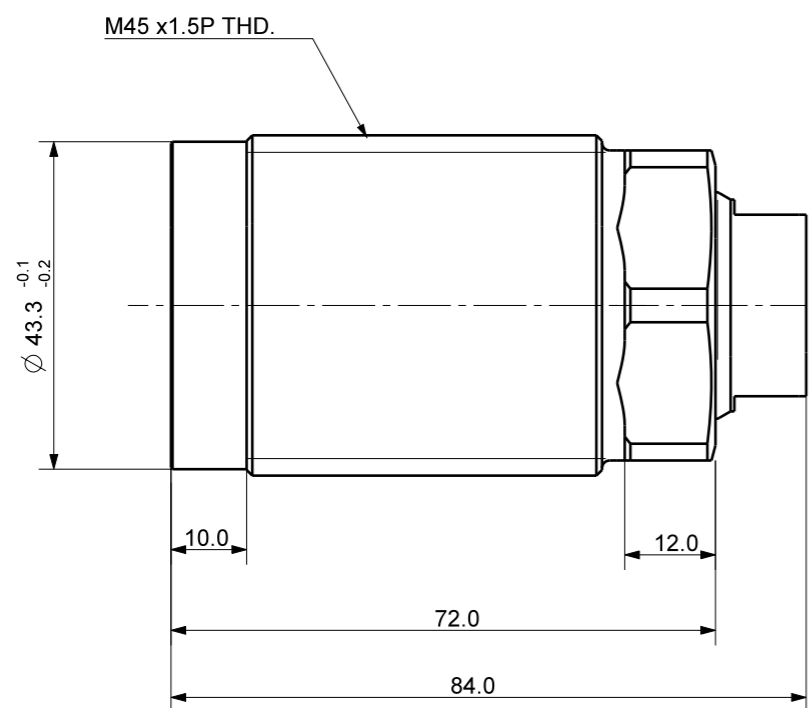


FILE NAME:

REVISIONS				
ZONE	LTR	DESCRIPTION	DATE	APPROVED




Isometric view (1:1)



- 주 기)
1. 유효단면적 : 7.06 Cm²
 2. STROKE = 20.0 mm
 3. CYLINDER Capacity : 14.13 Cm³

DET.NO	NAME	QTY	MAT'L	FINAL SIZES & PART No	REMARK

UNLESS OTHERWISE SPECIFIED	SIGNATURES	MO-DA-YR	 케이제이에프(주) TOTAL CLAMPING SYSTEMS	
DIMENSIONS ARE IN MM	DRAWN OK Y.S	07-21-14		
ALL SURFACES 6.3S	CHECKED			
TOLERANCES	APPROVED			
ANGLE	±		TITLE MANIFOLD TYPE THD. BODY CLAMP	
X	±			
.X	± 0.15			
.XX	±			
FINISH	WORK ORDER NO	REF DWG NO.	DWG NO	A3
BLOCK OXIDE		---	MTB-3020 _-	
HEAT TREAT		SCALE	TOOL <input type="checkbox"/> PART <input type="checkbox"/> SHEET	OF
HRC18~22				