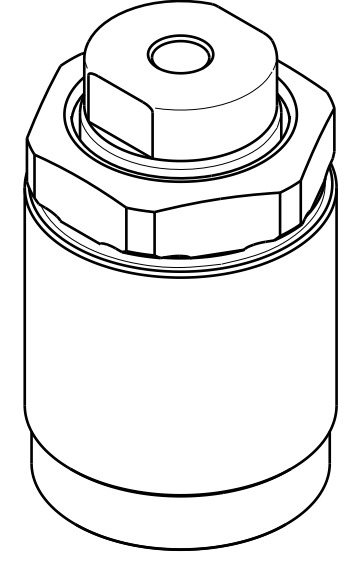
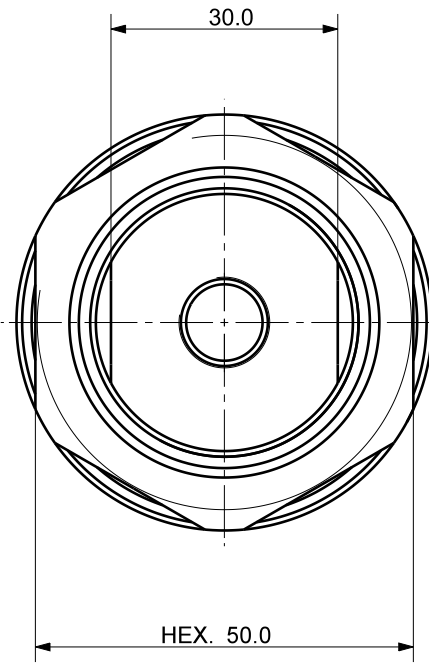
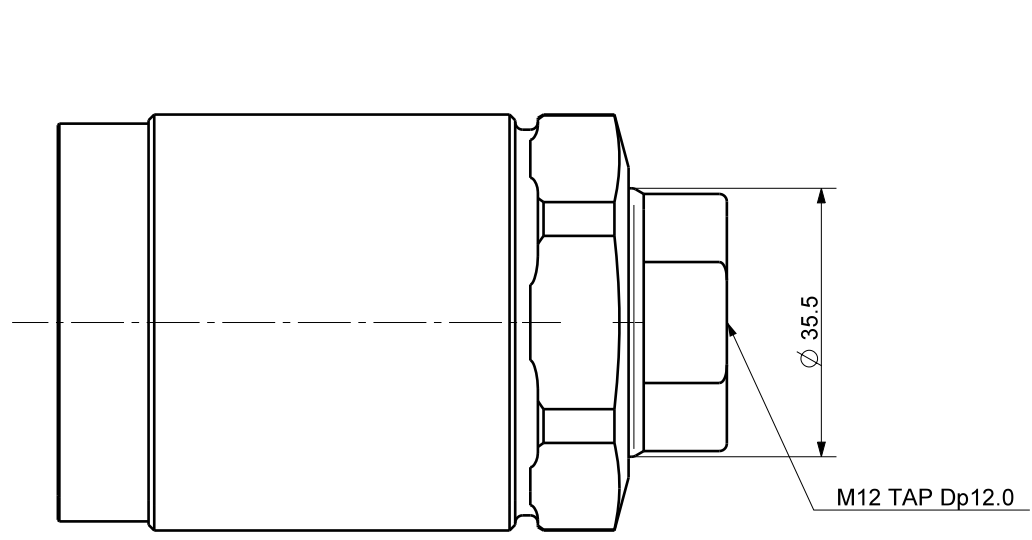
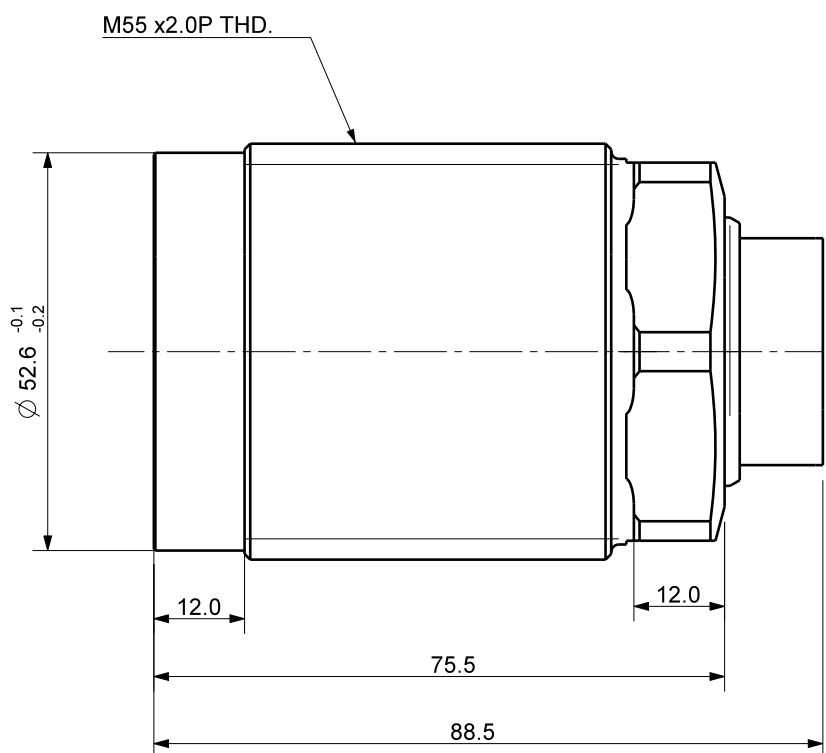


FILE NAME:


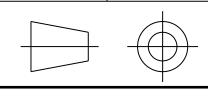
| REVISIONS | | | | |
|-----------|-----|-------------|------|----------|
| ZONE | LTR | DESCRIPTION | DATE | APPROVED |
| | | | | |



Isometric view (3:4)



- 주 기)
- 유효단면적 : 9.9 Cm²
 - STROKE = 25.0 mm
 - CYLINDER Capacity : 24.75 Cm³

| DET.NO | NAME | QTY | MAT'L | FINAL SIZES & PART No | REMARK |
|----------------------------|------|---------------|-------|-----------------------|--|
| | | | | | |
| UNLESS OTHERWISE SPECIFIED | | SIGNATURES | | MO-DA-YR |  케이제이에프(주) TOTAL CLAMPING SYSTEMS MANIFOLD TYPE THD. BODY CLAMP |
| DIMENSIONS ARE IN MM | | DRAWN OK Y.S | | 08-14-14 | |
| ALL SURFACES 6.3S | | CHECKED | | | |
| TOLERANCES | | APPROVED | | | |
| ANGLE | | | | |  |
| .X ± 0.15 | | | | | |
| .XX ± | | | | | |
| FINISH | | WORK ORDER NO | | REF DWG NO. | DWG NO |
| BLOCK OXIDE | | | | --- | MTB-3625 _- |
| HEAT TREAT | | | | SCALE | TOOL <input type="checkbox"/> PART <input type="checkbox"/> SHEET OF |
| HRC18~22 | | | | | A3 |