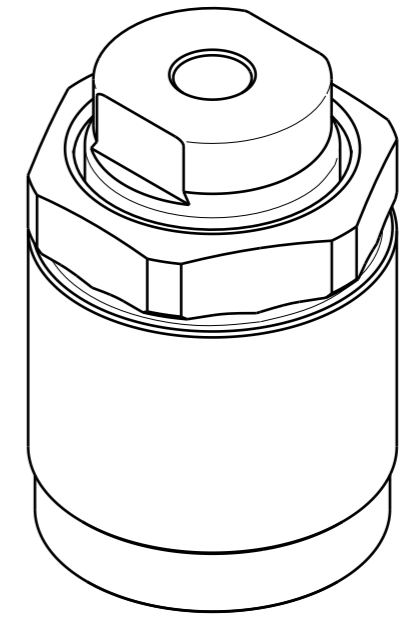
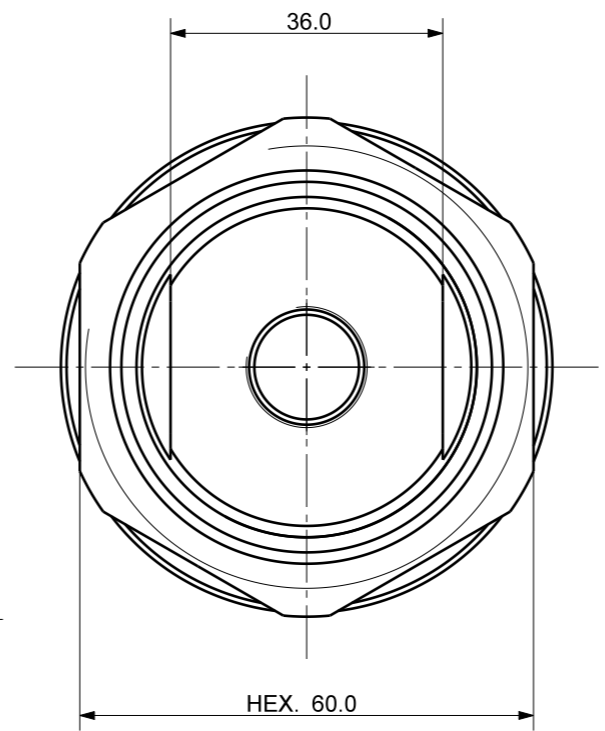
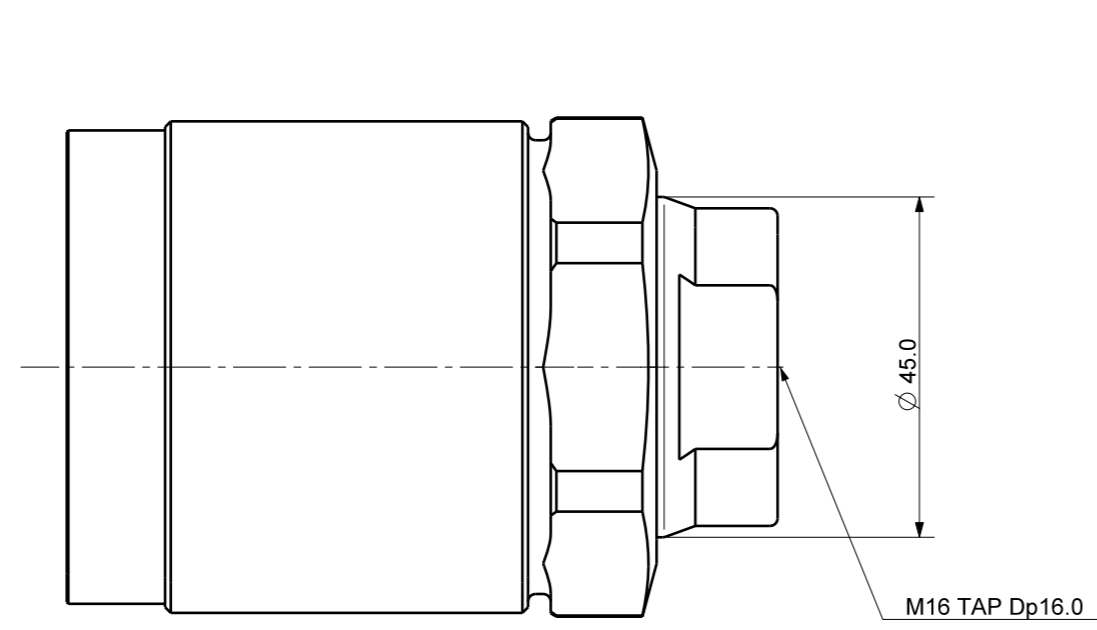


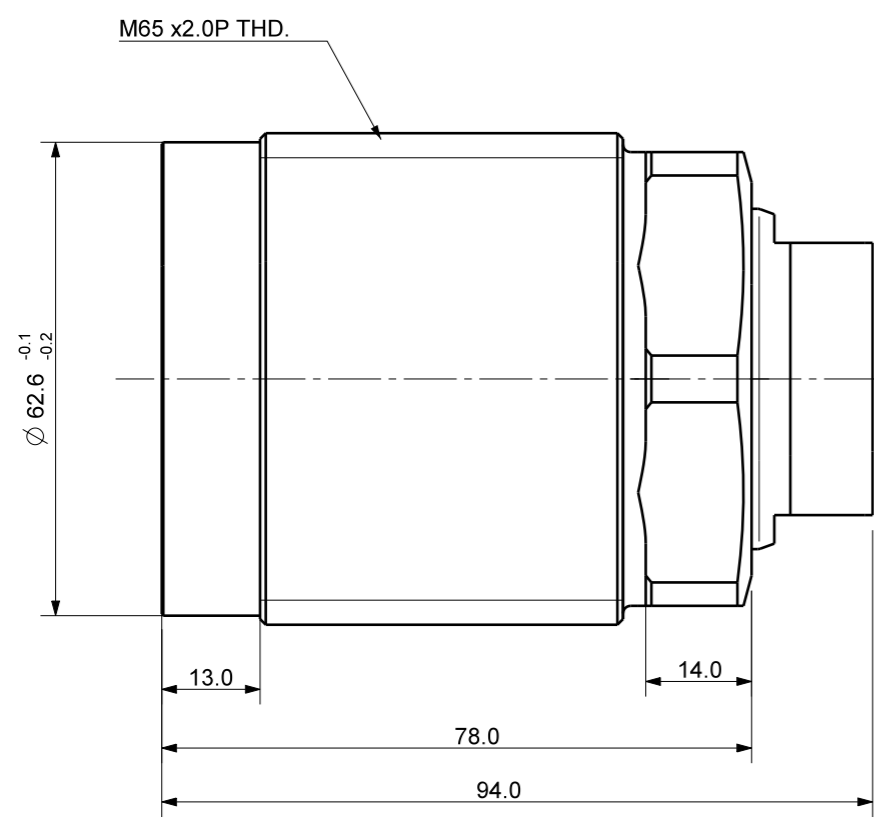
FILE NAME:

REVISIONS

ZONE	LTR	DESCRIPTION	DATE	APPROVED
------	-----	-------------	------	----------



Isometric view (3:4)



- 주 기)
- 유효단면적 : 15.9 Cm²
 - STROKE = 25.0 mm
 - CYLINDER Capacity : 39.74 Cm³

DET. NO	NAME	QTY	MAT'L	FINAL SIZES & PART No	REMARK
UNLESS OTHERWISE SPECIFIED		SIGNATURES		MO-DA-YR	케이제이에프(주) TOTAL CLAMPING SYSTEMS
DIMENSIONS ARE IN MM		DRAWN	OK Y.S	08-26-14	
ALL SURFACES 6.3S		CHECKED			
TOLERANCES		APPROVED			
ANGLE				TITLE	
X. ±				MANIFOLD TYPE THD. BODY CLAMP	
.X ± 0.15					
.XX ±					
FINISH		WORK ORDER NO	REF DWG NO.	DWG NO	A3
BLOCK OXIDE			---	MTB-4525 _-	
HEAT TREAT		SCALE		TOOL <input type="checkbox"/> PART <input type="checkbox"/> SHEET <input type="checkbox"/>	OF
HRC18~22					