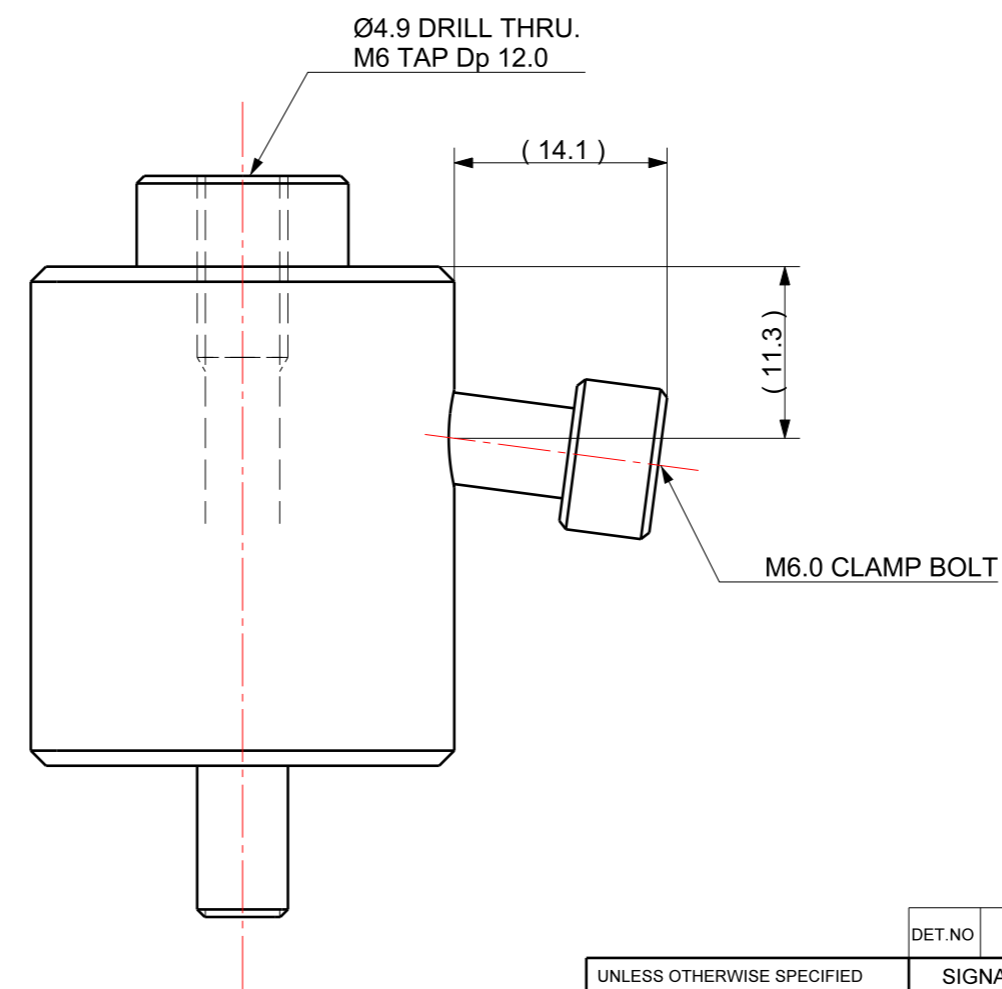
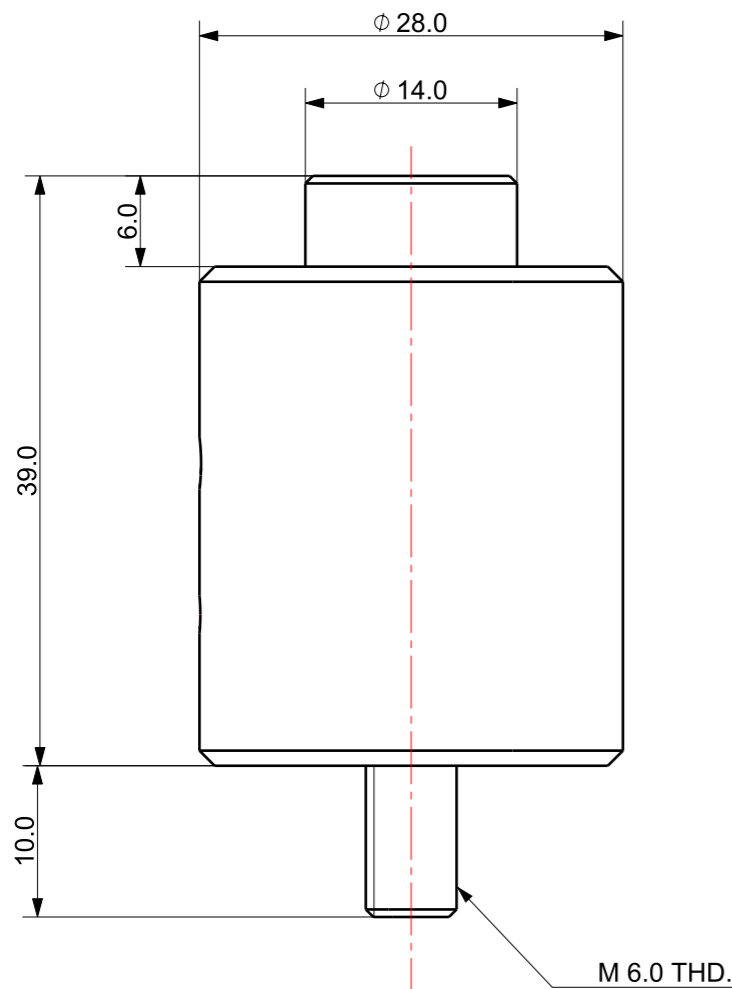
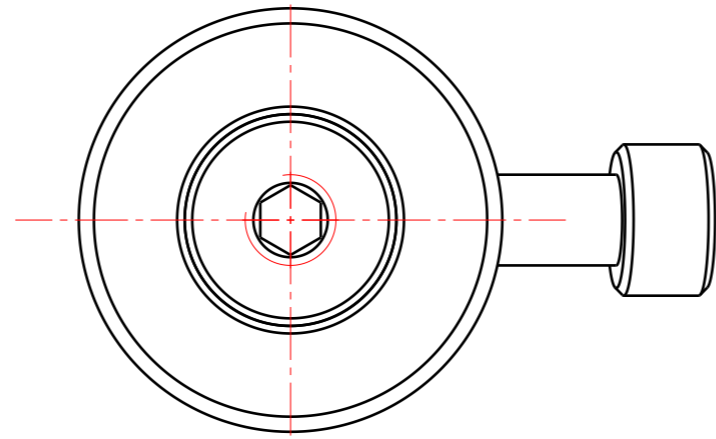


FILE NAME:

| REVISIONS | | | | |
|-----------|-----|-------------|------|----------|
| ZONE | LTR | DESCRIPTION | DATE | APPROVED |
| | | | | |



| DET. NO | NAME | QTY | MAT'L | FINAL SIZES & PART No | REMARK | |
|----------------------------|------------|----------|--------------------------------|-----------------------|-------------------------------------------------------------------|----|
| UNLESS OTHERWISE SPECIFIED | SIGNATURES | MO-DA-YR | MANUAL WORK SUPPORT | | | |
| DIMENSIONS ARE IN MM | DRAWN | | | | | |
| ALL SURFACES 6.3S | CHECKED | | | | | |
| TOLERANCES | APPROVED | | | | | |
| ANGLE | | | REF DWG NO. | DWG NO | A3 | |
| .X ± | | | --- | MWPR-1406 | | |
| .X ± 0.15 | | | WORK ORDER NO | SCALE | TOOL <input type="checkbox"/> PART <input type="checkbox"/> SHEET | OF |
| .XX ± | | | HEAT TREAT | | | |