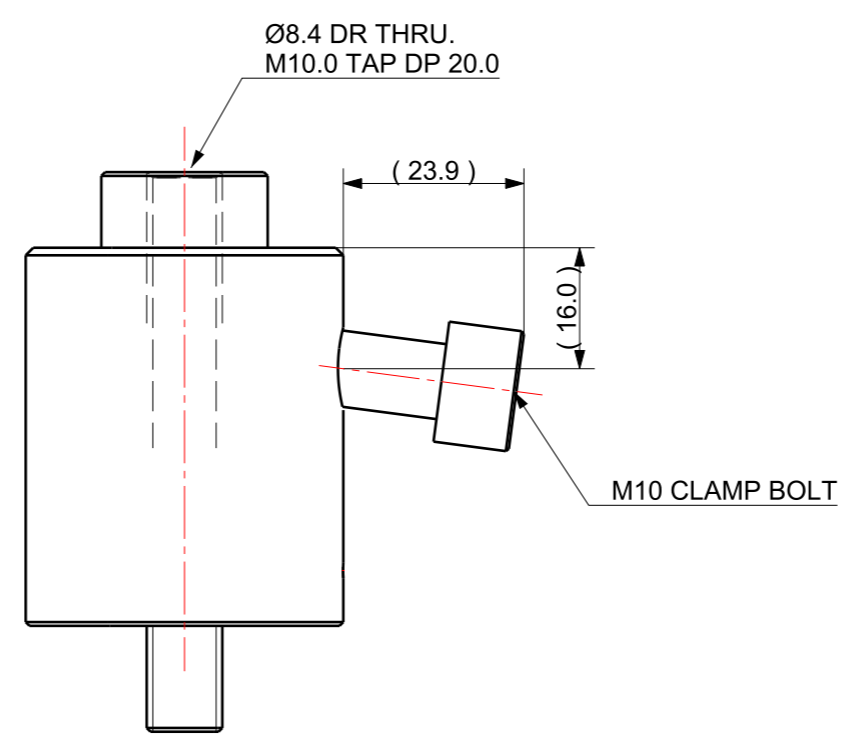
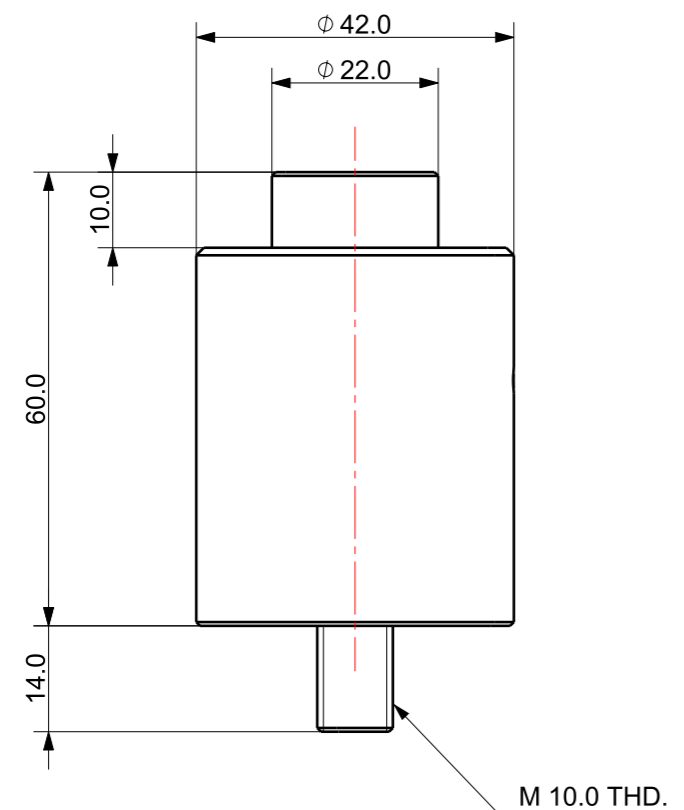
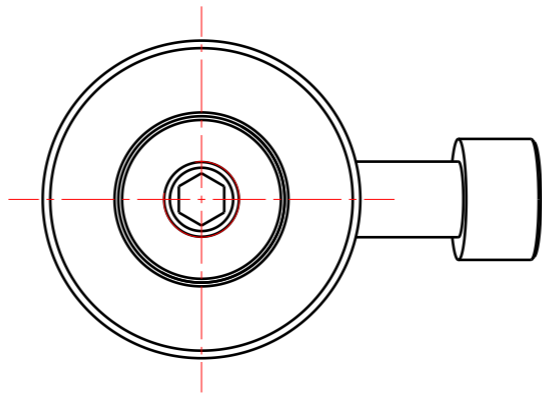


FILE NAME:

REVISIONS				
ZONE	LTR	DESCRIPTION	DATE	APPROVED



DET. NO	NAME	QTY	MAT'L	FINAL SIZES & PART No	REMARK
UNLESS OTHERWISE SPECIFIED		SIGNATURES		MO-DA-YR	
DIMENSIONS ARE IN MM		DRAWN		TITLE	
ALL SURFACES 6.3S		CHECKED		KJF (주)케이제이에프 TOTAL CLAMPING SYSTEMS	
TOLERANCES		APPROVED		MANUAL WORK SUPPORT	
ANGLE				REF DWG NO.	
X ±				DWG NO	
.X ± 0.15				---	
.XX ±				MWPR-2210	
FINISH		WORK ORDER NO		A3	
HEAT TREAT				SCALE / TOOL <input type="checkbox"/> PART <input type="checkbox"/> SHEET OF	