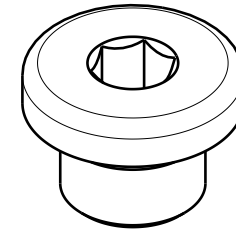
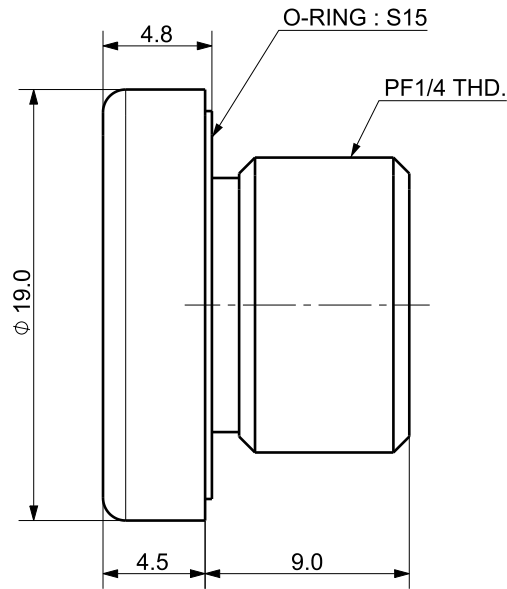
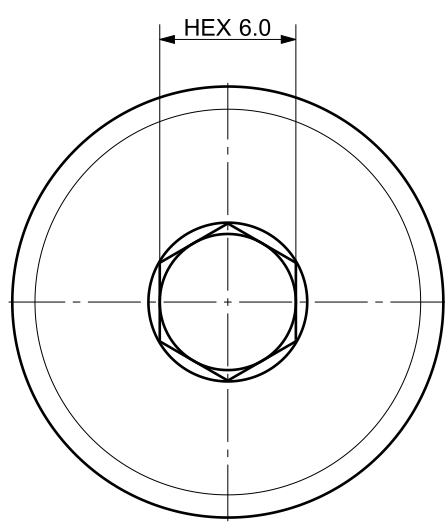


FILE NAME:

REVISIONS

ZONE	LTR	DESCRIPTION	DATE	APPROVED



Isometric view (2:1)

DET.NO	NAME	Q'TY	MAT'L	FINAL SIZES & PART No	REMARK

UNLESS OTHERWISE SPECIFIED	SIGNATURES	MO-DA-YR
DIMENSIONS ARE IN MM	DRAWN	
ALL SURFACES 6.3S	CHECKED	
TOLERANCES	APPROVED	
ANGLE ±		
X. ±		
.X ± 0.15		
.XX ± 0.05		
FINISH	WORK ORDER NO	
HEAT TREAT		



케이제이에프(주)
TOTAL CLAMPING SYSTEMS

TITLE	<h1>PLUG</h1>

REF DWG NO.	DWG NO	A4
---	PF 1/4	
SCALE 3/1	TOOL <input type="checkbox"/> PART <input type="checkbox"/> SHEET	OF