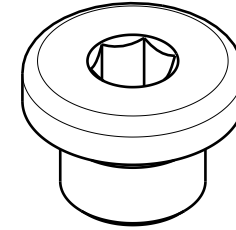
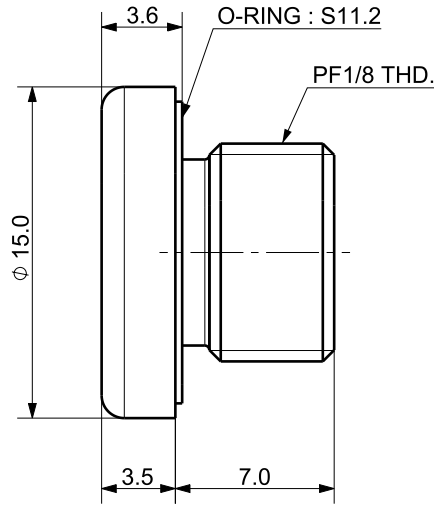
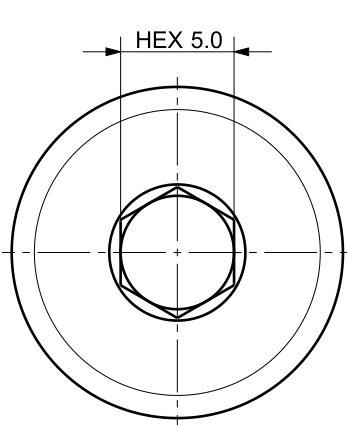


FILE NAME:



REVISIONS

ZONE	LTR	DESCRIPTION	DATE	APPROVED



Isometric view (2:1)

DET.NO	NAME	Q'TY	MAT'L	FINAL SIZES & PART No	REMARK

UNLESS OTHERWISE SPECIFIED	SIGNATURES	MO-DA-YR
DIMENSIONS ARE IN MM	DRAWN	
ALL SURFACES 6.3S	CHECKED	
TOLERANCES	APPROVED	
ANGLE ±	 	
.X ± 0.15		
.XX ± 0.05		
FINISH	WORK ORDER NO	REF DWG NO.
HEAT TREAT		---



케이제이에프(주)  
 TOTAL CLAMPING SYSTEMS

TITLE
<b>PLUG</b>

DWG NO	PF 1/8	A4
SCALE	3/1	TOOL <input type="checkbox"/> PART <input type="checkbox"/> SHEET OF