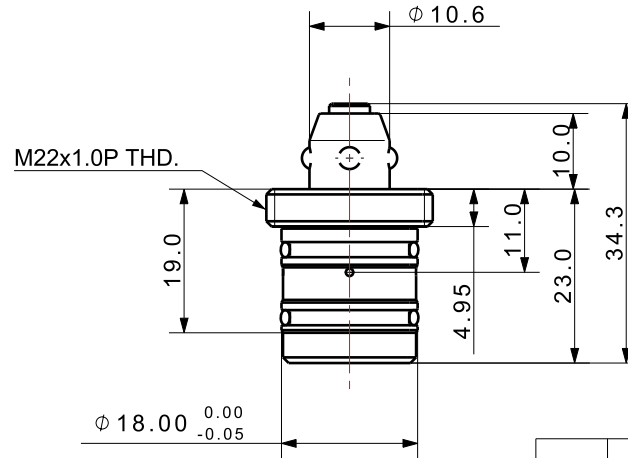
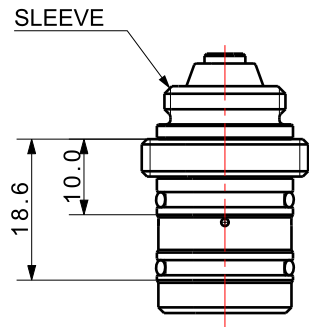
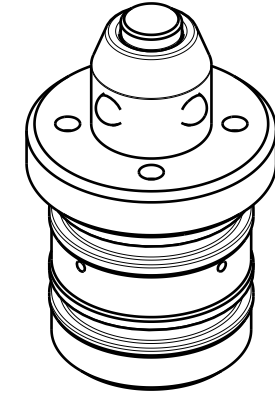
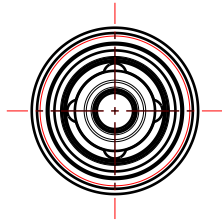


FILE NAME:

REVISIONS

ZONE	LTR	DESCRIPTION	DATE	APPROVED



Isometric view (3:2)

DET.NO	NAME	Q'TY	MAT'L	FINAL SIZES & PART No	REMARK
UNLESS OTHERWISE SPECIFIED		SIGNATURES		MO-DA-YR	
DIMENSIONS ARE IN MM		DRAWN			
ALL SURFACES 6.3S		CHECKED			
TOLERANCES		APPROVED		TITLE	
ANGLE ±					
.X ± 0.15					
.XX ± 0.05					
FINISH		WORK ORDER NO		REF DWG NO.	
				DWG NO	
HEAT TREAT				PHC-0010	
				A4	
		SCALE		TOOL <input type="checkbox"/> PART <input type="checkbox"/> SHEET OF	

KJF 케이제이에프(주)
TOTAL CLAMPING SYSTEMS

PIN HOLE CLAMP