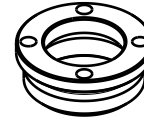


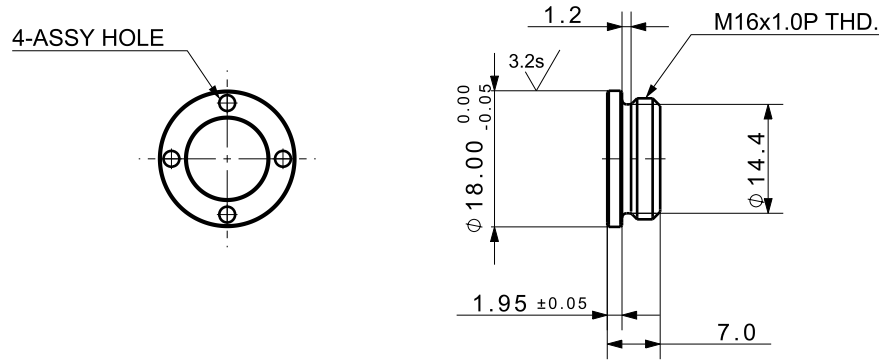
FILE NAME:

REVISIONS

ZONE	LTR	DESCRIPTION	DATE	APPROVED



Isometric view (1:1)



DET.NO	NAME	Q'TY	MAT'L	FINAL SIZES & PART No	REMARK
UNLESS OTHERWISE SPECIFIED		SIGNATURES		MO-DA-YR	
DIMENSIONS ARE IN MM		DRAWN			
ALL SURFACES 6.3S		CHECKED			
TOLERANCES		APPROVED			
ANGLE ±					
X. ±					
.X ± 0.15					
.XX ± 0.05					
FINISH		WORK ORDER NO		REF DWG NO.	DWG NO
					PHS-0016
HEAT TREAT				SCALE	TOOL <input type="checkbox"/> PART <input type="checkbox"/> SHEET <input type="checkbox"/> OF
					A4



SLEEVE