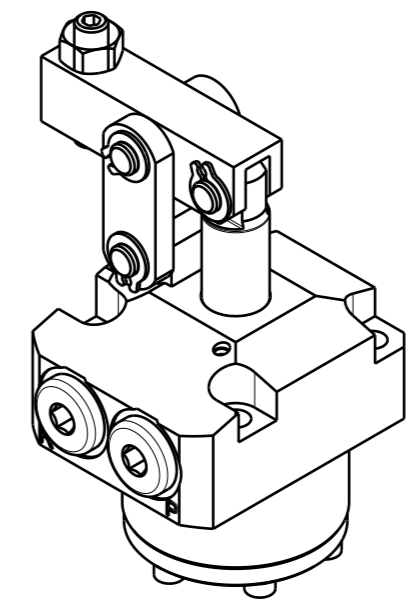
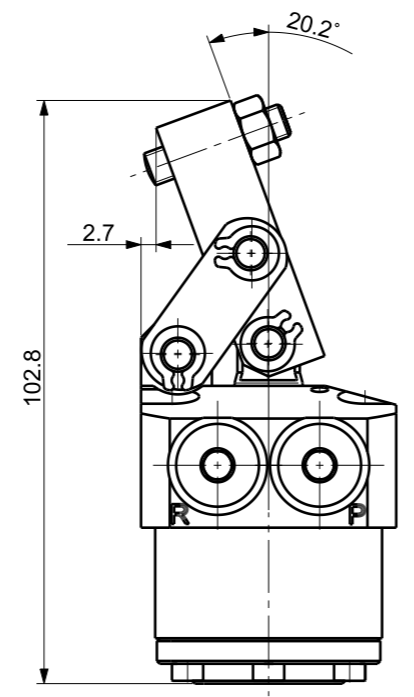
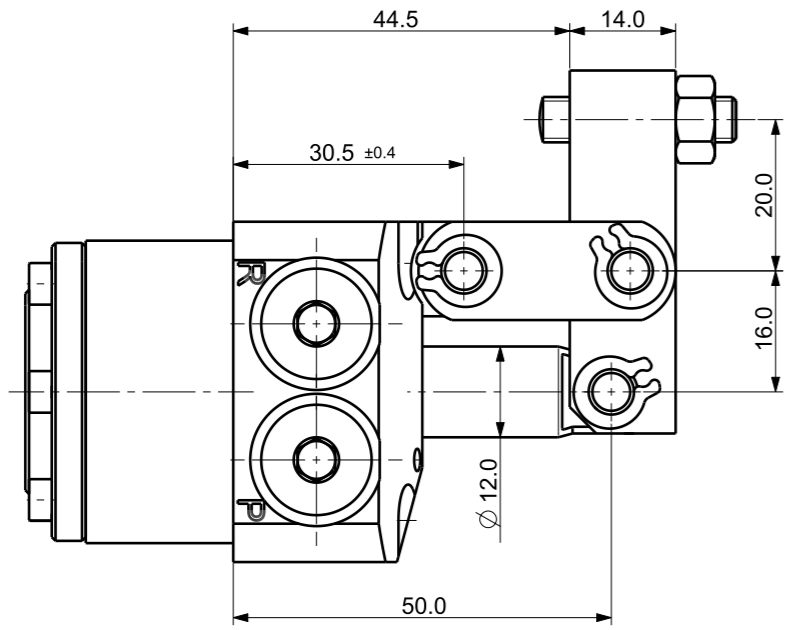


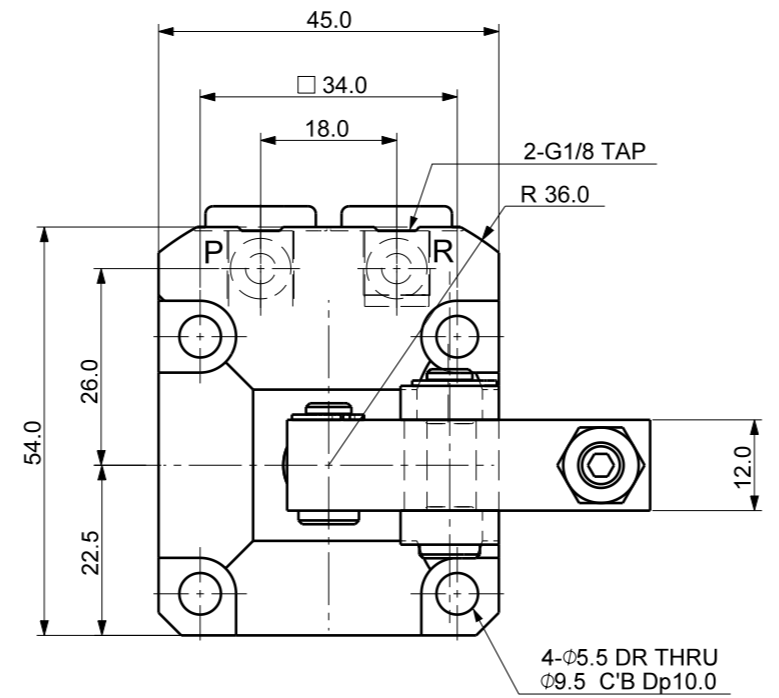
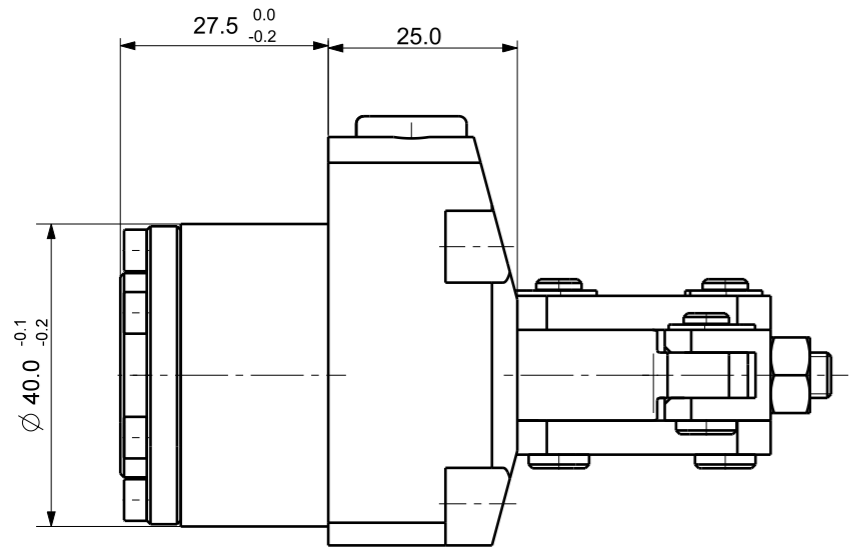
FILE NAME:

REVISIONS

ZONE	LTR	DESCRIPTION	DATE	APPROVED



Isometric view (3:4)



DET. NO	NAME	QTY	MAT'L	FINAL SIZES & PART No	REMARK

UNLESS OTHERWISE SPECIFIED	SIGNATURES	MO-DA-YR
DIMENSIONS ARE IN MM	DRAWN	
ALL SURFACES 6.3S	CHECKED	
TOLERANCES	APPROVED	
ANGLE ±		
X ±		
.X ± 0.15		
.XX ±		
FINISH	WORK ORDER NO	REF DWG NO.
HEAT TREAT		CLM04-LN
		DWG NO.
		QHGC-2640G-LH_-
		SCALE
		TOOL <input type="checkbox"/> PART <input type="checkbox"/> SHEET
		OF

(주)케이제이에프
 TOTAL CLAMPING SYSTEMS
HINGE CLAMP
 REF DWG NO. CLM04-LN
 DWG NO. QHGC-2640G-LH_-
 SCALE: TOOL PART SHEET OF
A3