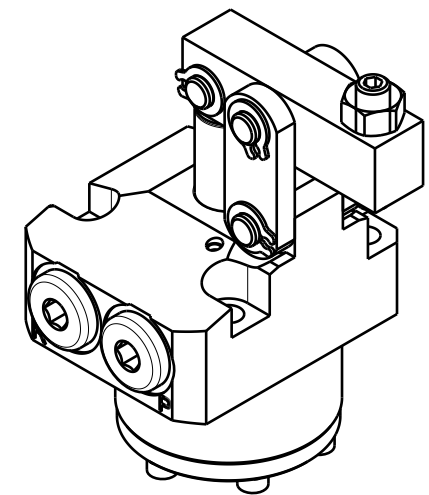
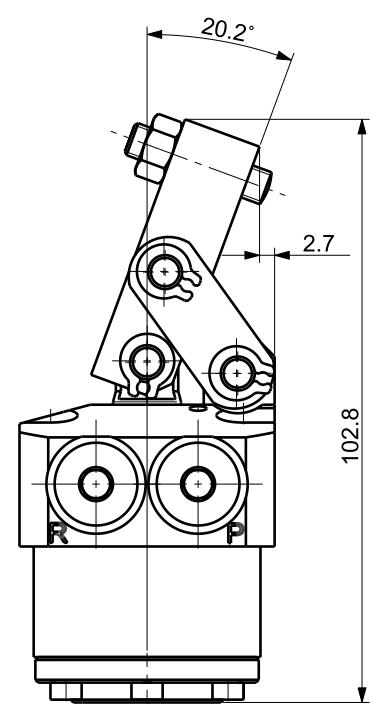
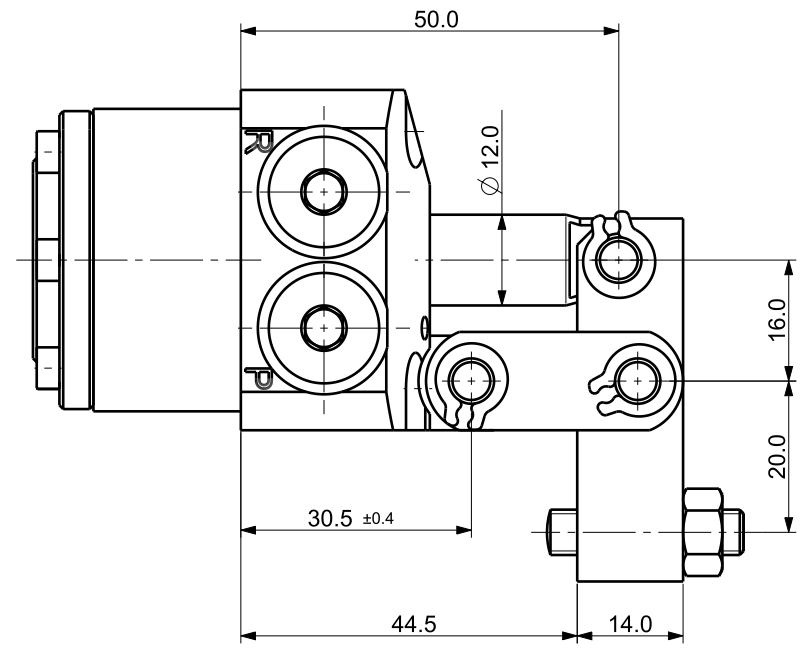


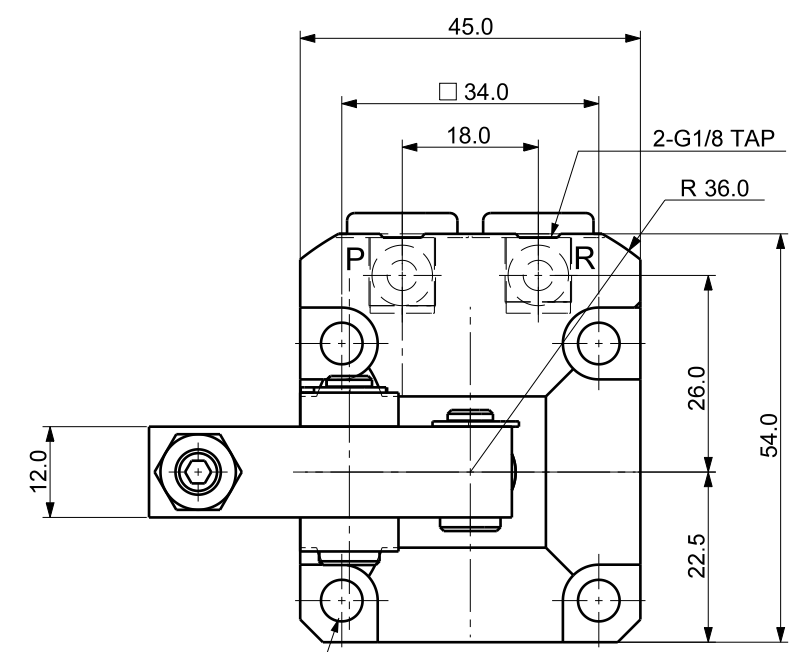
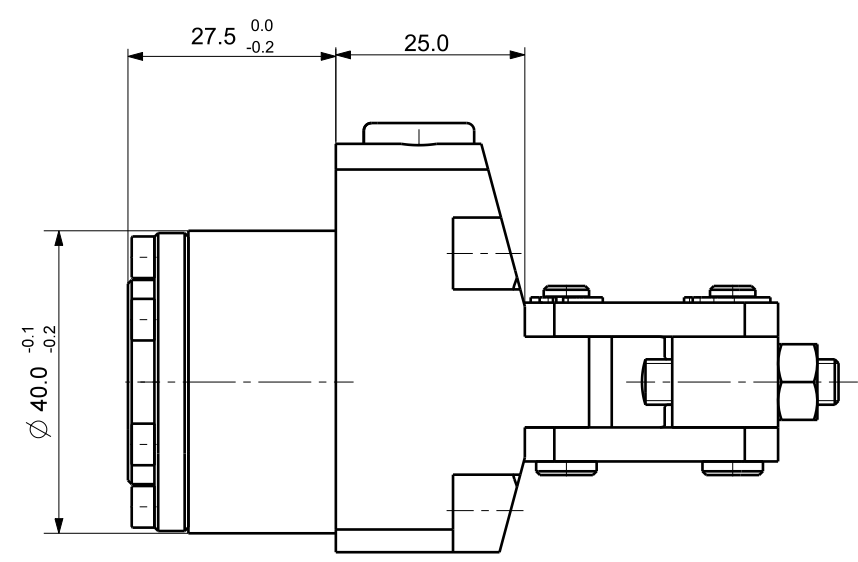
FILE NAME:

REVISIONS

ZONE	LTR	DESCRIPTION	DATE	APPROVED



Isometric view (3:4)



4-Ø5.5 DR THRU
Ø9.5 C'B Dp10.0

UNLESS OTHERWISE SPECIFIED	SIGNATURES	MO-DA-YR
DIMENSIONS ARE IN MM	DRAWN	
ALL SURFACES 6.3S	CHECKED	
TOLERANCES	APPROVED	
ANGLE ±		
X ±		
.X ± 0.15		
.XX ±		
FINISH	WORK ORDER NO	
HEAT TREAT		

DET.NO	NAME	QTY	MAT'L	FINAL SIZES & PART No	REMARK

TITLE	
<h1>HINGE CLAMP</h1>	
REF DWG NO.	DWG NO
CLM04-RN	QHGC-2640G-RH_-
SCALE	TOOL <input type="checkbox"/> PART <input type="checkbox"/> SHEET <input type="checkbox"/> OF

(주)케이제이에프
TOTAL CLAMPING SYSTEMS

HINGE CLAMP

REF DWG NO. CLM04-RN DWG NO. QHGC-2640G-RH_- A3