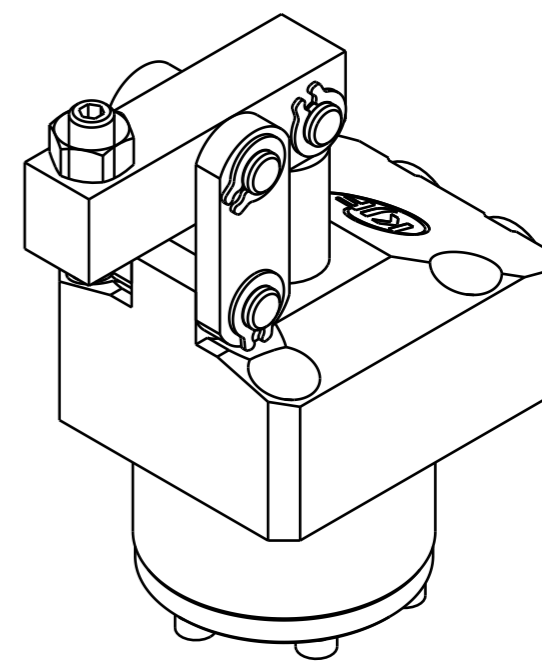
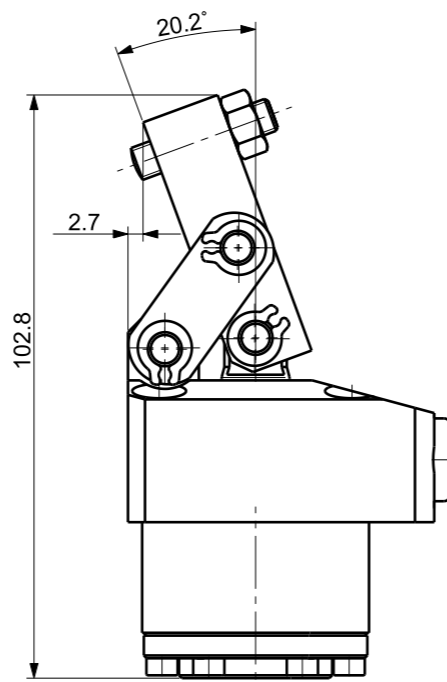
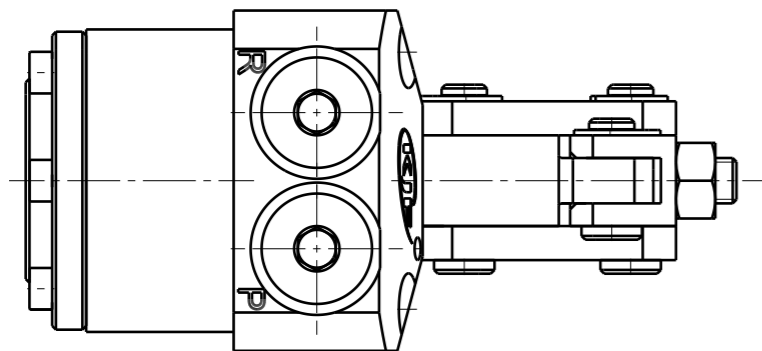
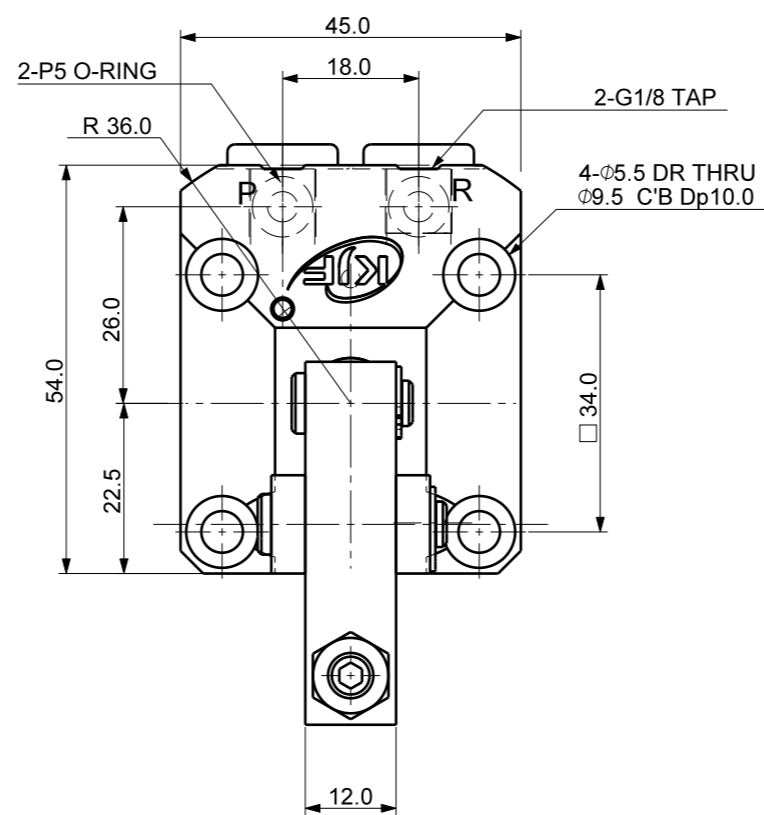
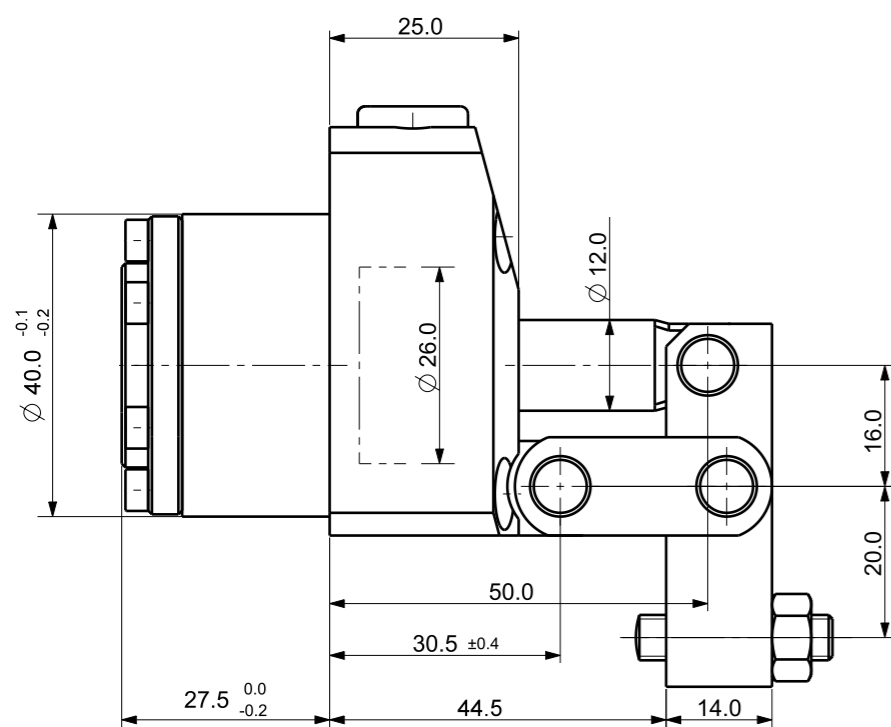


FILE NAME:

REVISIONS				
ZONE	LTR	DESCRIPTION	DATE	APPROVED




Isometric view (1:1)



DET. NO	NAME	QTY	MAT'L	FINAL SIZES & PART No	REMARK

UNLESS OTHERWISE SPECIFIED	SIGNATURES	MO-DA-YR
DIMENSIONS ARE IN MM	DRAWN	
ALL SURFACES 6.3S	CHECKED	
TOLERANCES	APPROVED	
ANGLE ±		
X ±		
.X ± 0.15		
.XX ±		
FINISH	WORK ORDER NO	
HEAT TREAT		


**(주)케이제이에프**  
 TOTAL CLAMPING SYSTEMS

HINGE CLAMP

REF DWG NO.	DWG NO.	A3
CLM04-FN	QHGC-2640G_-	
SCALE	TOOL <input type="checkbox"/> PART <input type="checkbox"/> SHEET	OF