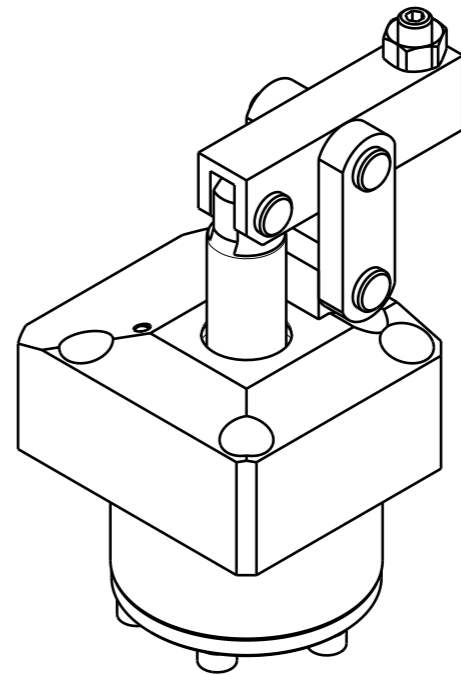
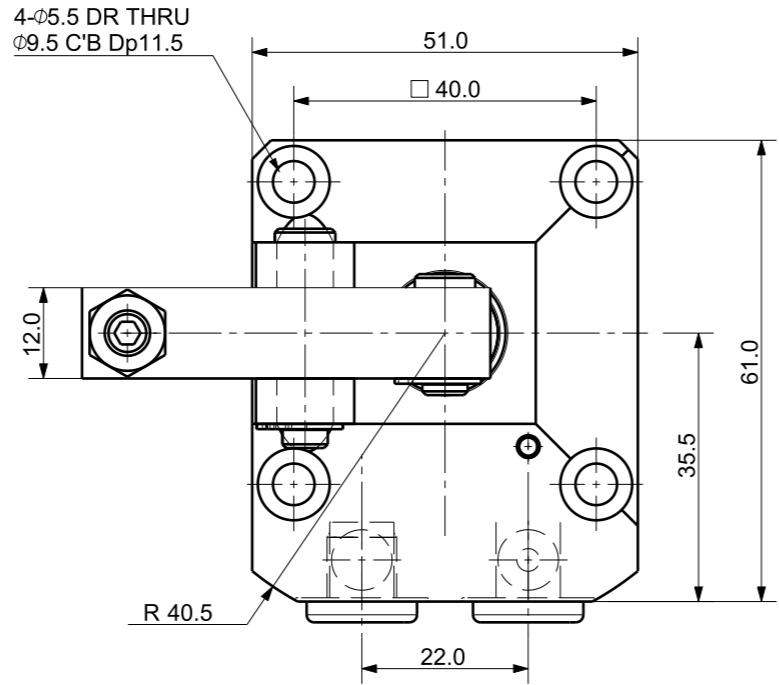
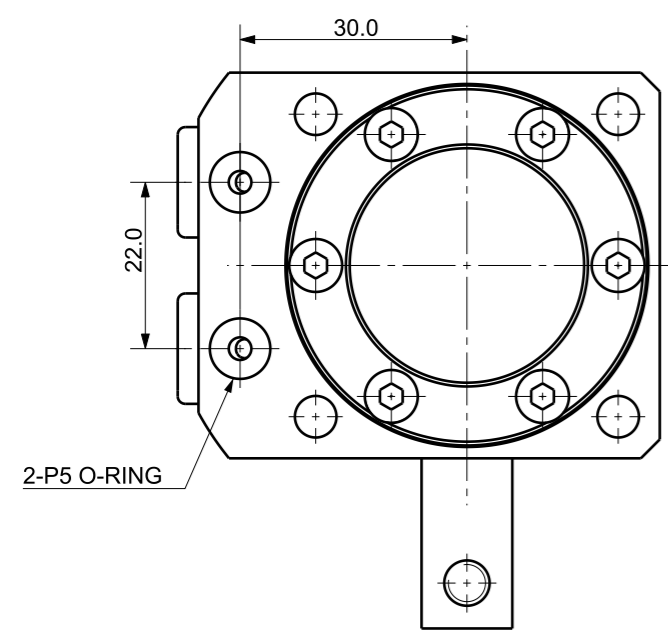


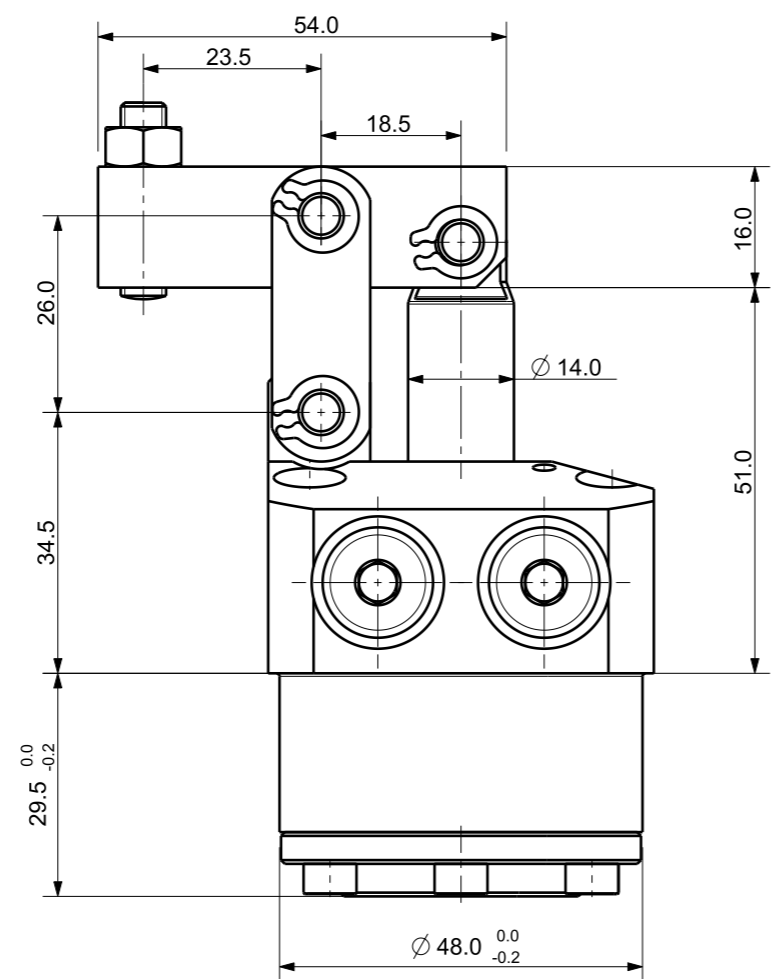
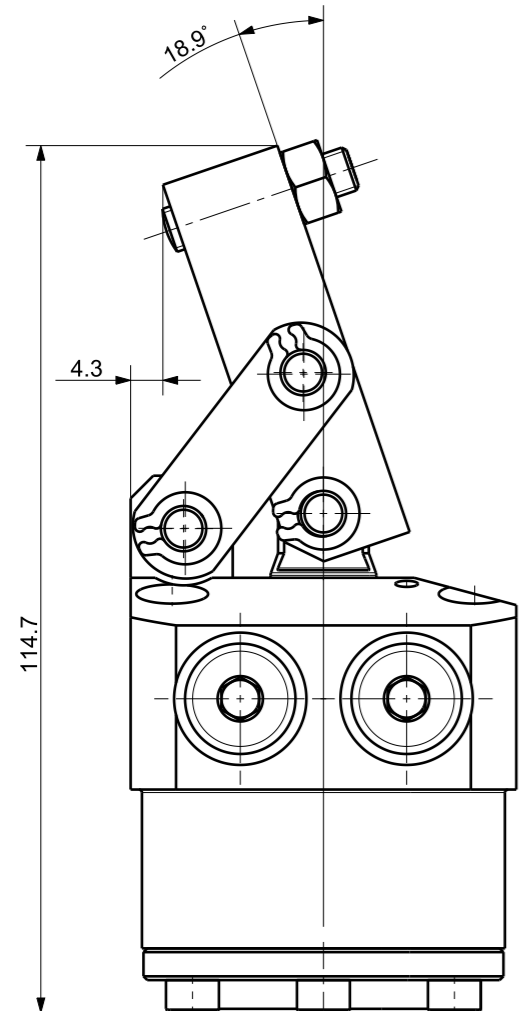
FILE NAME:

REVISIONS

ZONE	LTR	DESCRIPTION	DATE	APPROVED
△				



Isometric view (3:4)



DET. NO	NAME	QTY	MAT'L	FINAL SIZES & PART No	REMARK
UNLESS OTHERWISE SPECIFIED		SIGNATURES		MO-DA-YR	
DIMENSIONS ARE IN MM		DRAWN		TITLE	
ALL SURFACES 6.3S		CHECKED		APPROVED	
TOLERANCES		WORK ORDER NO		REF DWG NO.	
ANGLE				DWG NO	
X ±				CLM05-FN	
.X ± 0.15				QHGC-3048G-LH_-	
.XX ±				A3	
FINISH				SCALE	
HEAT TREAT				TOOL <input type="checkbox"/> PART <input type="checkbox"/> SHEET <input type="checkbox"/> OF	



HINGE CLAMP

CLM05-FN QHGC-3048G-LH_- A3