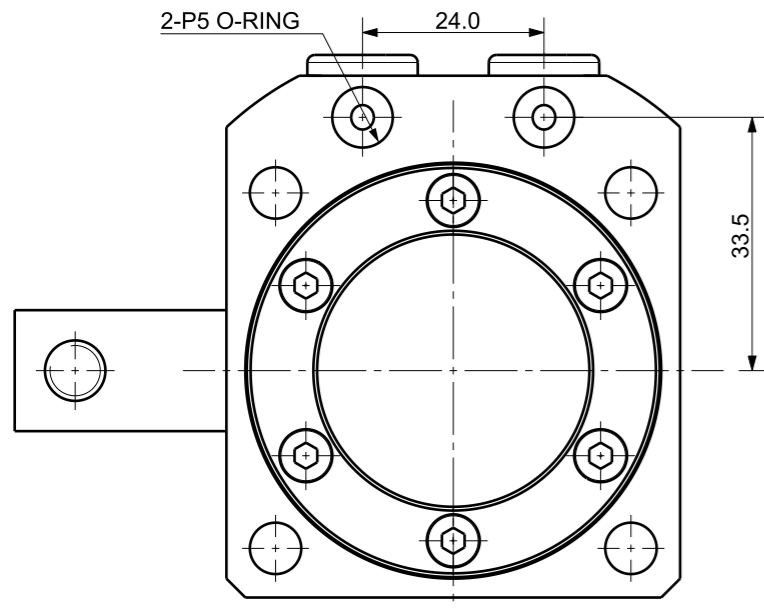


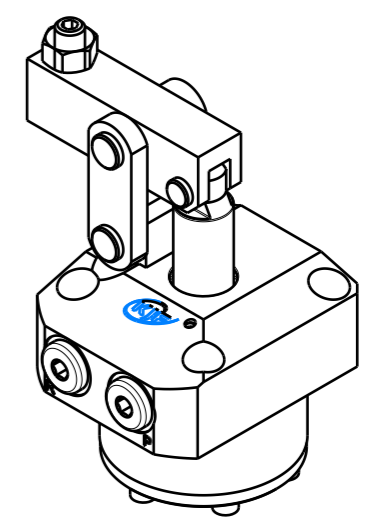
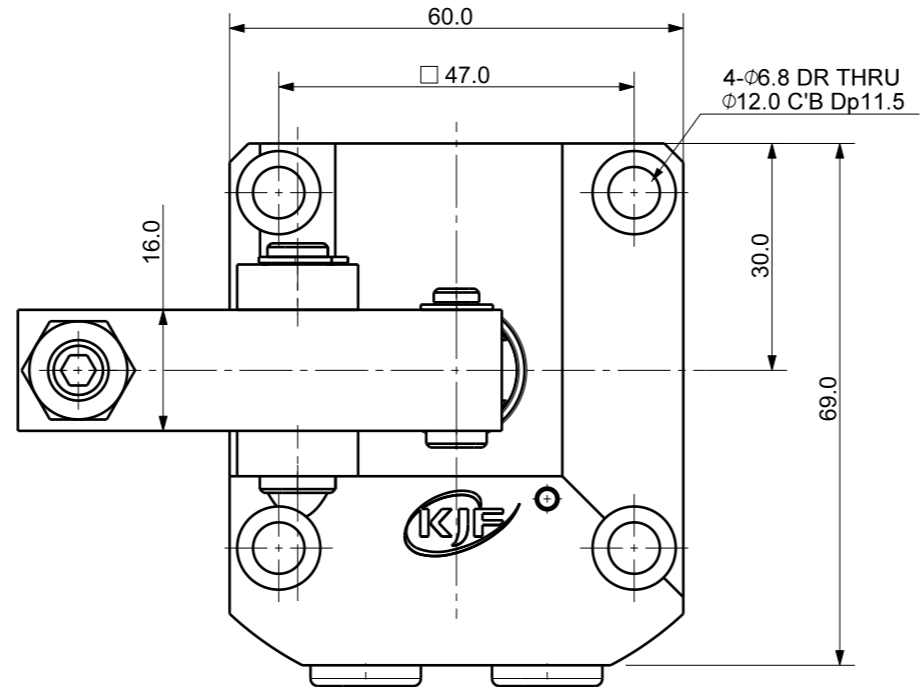
FILE NAME:

REVISIONS

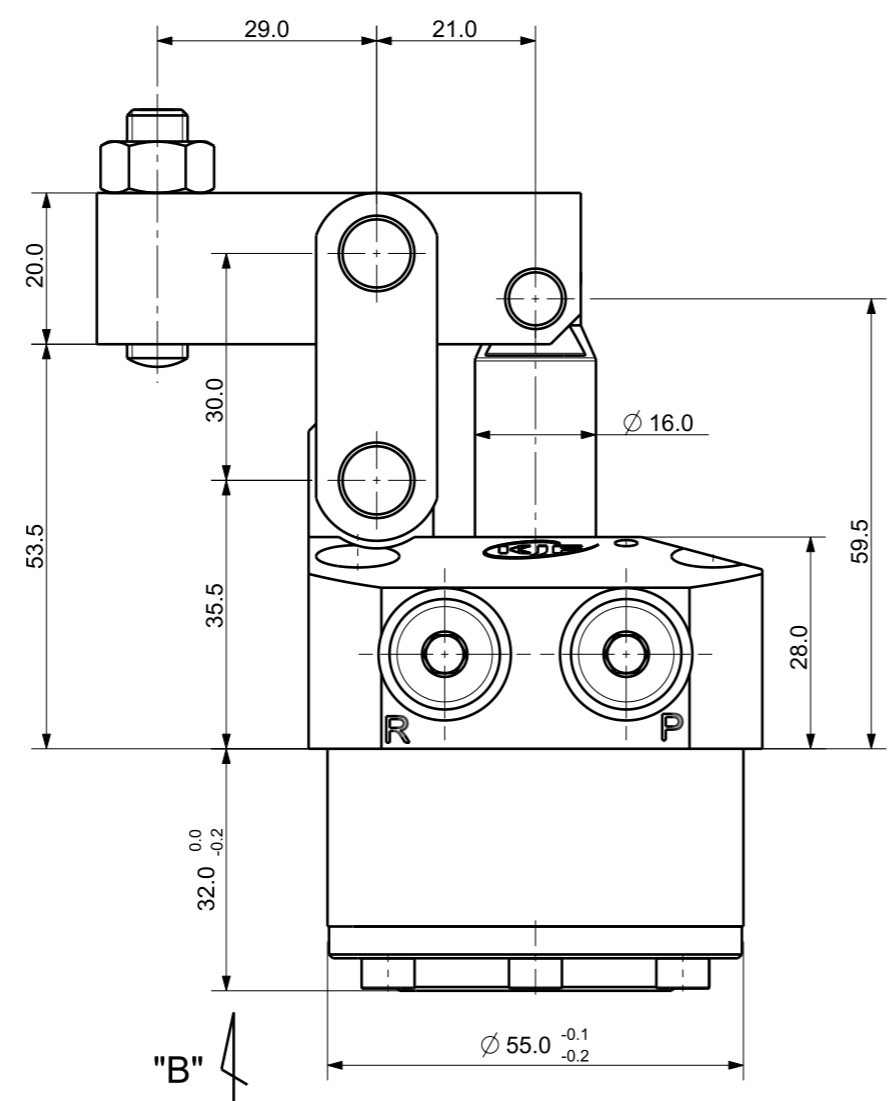
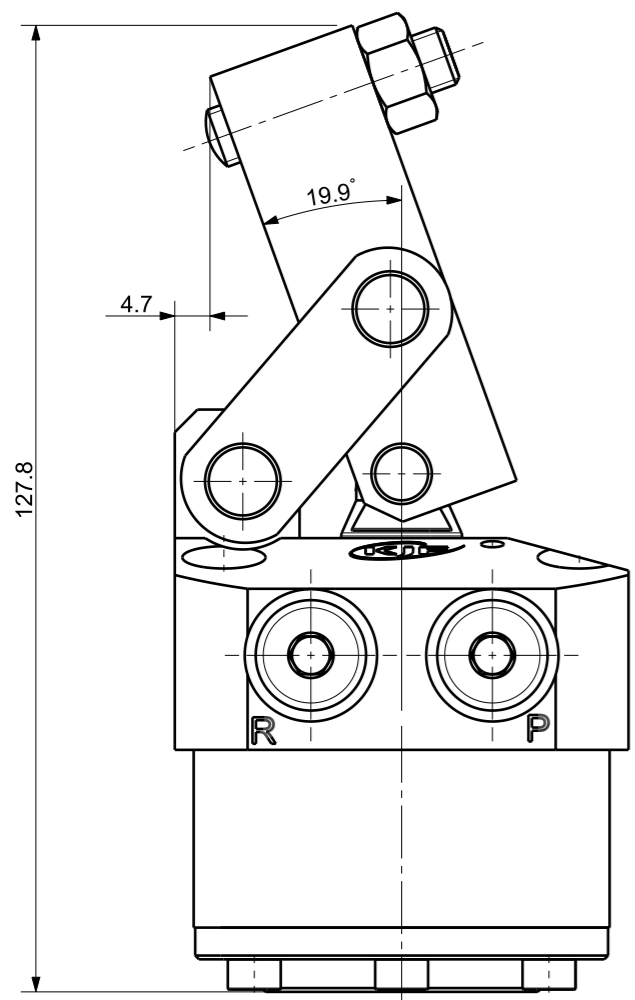
ZONE	LTR	DESCRIPTION	DATE	APPROVED
△				



VIEW "B"



Isometric view (1:2)



"B"

DET. NO	NAME	QTY	MAT'L	FINAL SIZES & PART No	REMARK
UNLESS OTHERWISE SPECIFIED		SIGNATURES		MO-DA-YR	
DIMENSIONS ARE IN MM		DRAWN		TITLE	
ALL SURFACES 6.3S		CHECKED		KJF 케이제이에프(주) TOTAL CLAMPING SYSTEMS	
TOLERANCES		APPROVED		HINGE CLAMP	
ANGLE		WORK ORDER NO		REF DWG NO.	
X ±				DWG NO	
.X ± 0.15				---	
.XX ±				QHGC-3555G_-	
FINISH		SCALE		A3	
HEAT TREAT		TOOL <input type="checkbox"/> PART <input type="checkbox"/> SHEET <input type="checkbox"/>		OF	