

8

7

6

5

4

3

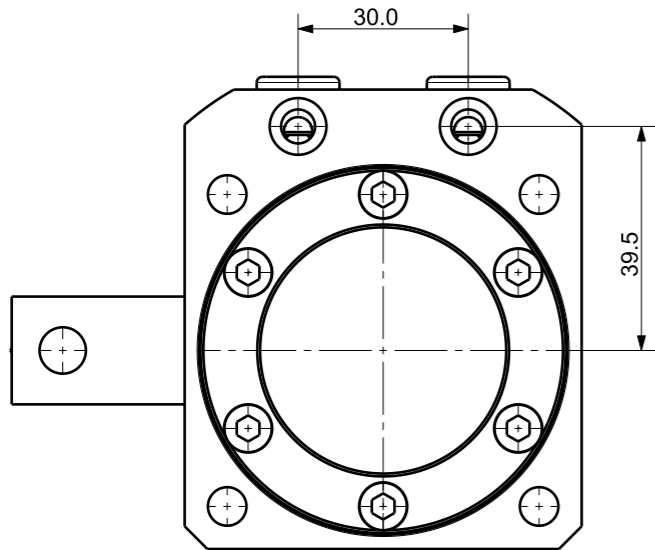
2

1

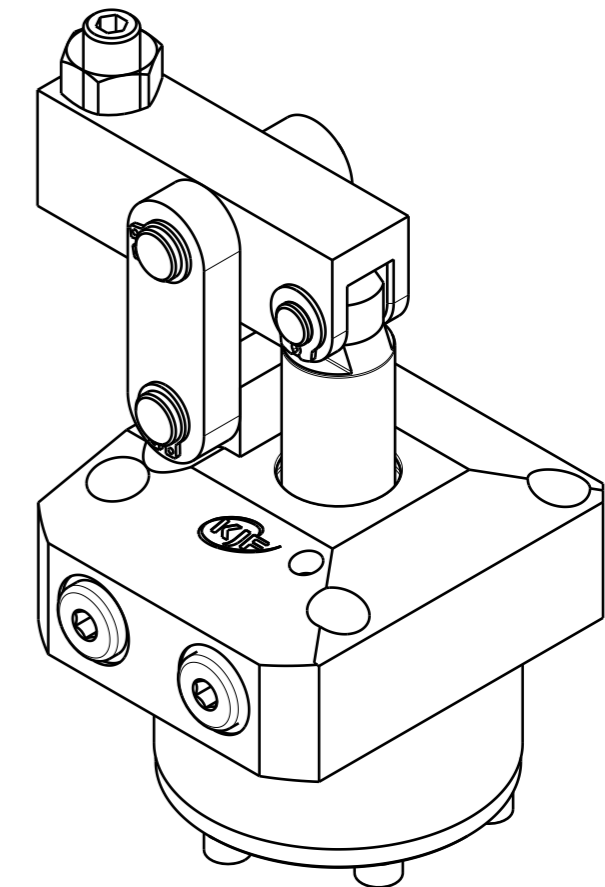
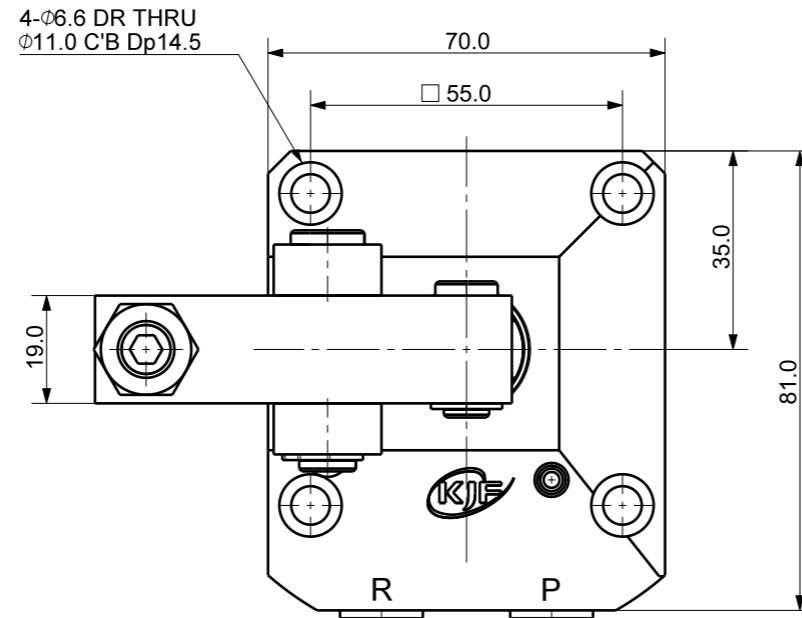
FILE NAME:

REVISIONS

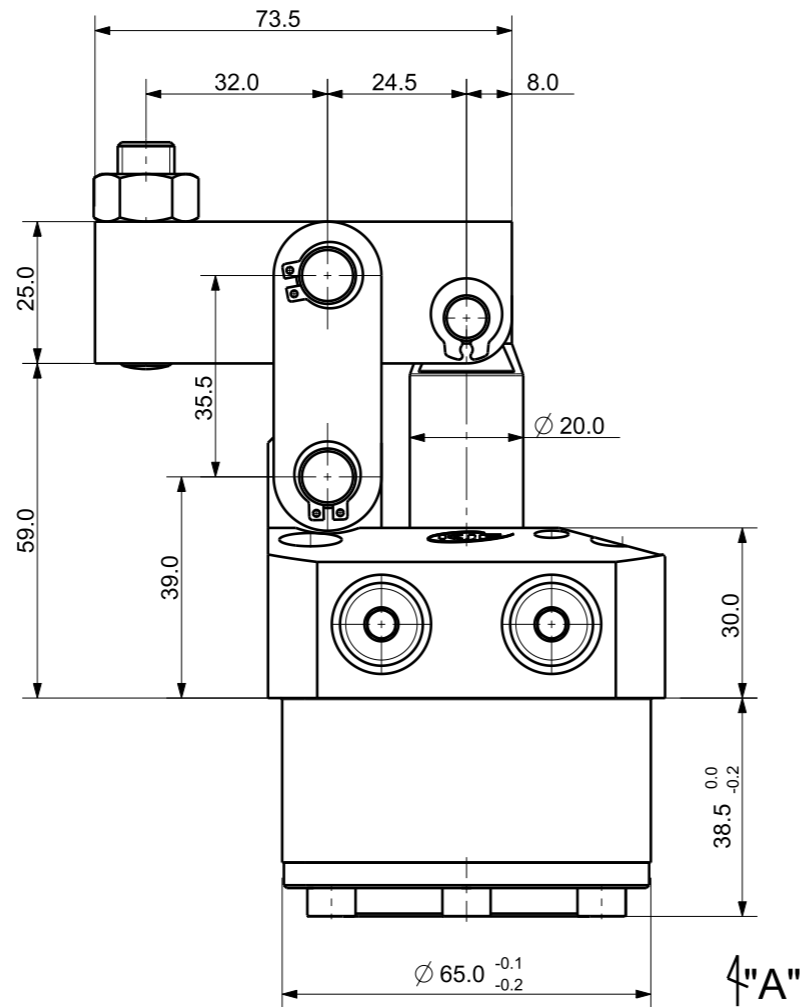
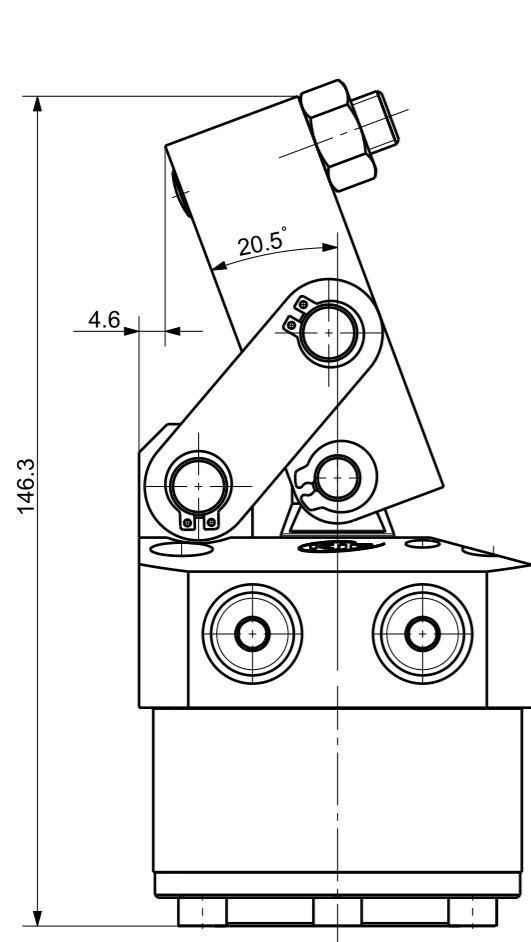
ZONE	LTR	DESCRIPTION	DATE	APPROVED



VIEW "A"



Isometric view (3:4)



DET. NO	NAME	QTY	MAT'L	FINAL SIZES & PART No	REMARK

UNLESS OTHERWISE SPECIFIED	SIGNATURES	MO-DA-YR
DIMENSIONS ARE IN MM	DRAWN	
ALL SURFACES 6.3S	CHECKED	
TOLERANCES	APPROVED	
ANGLE ±		
X ±		
.X ± 0.15		
.XX ±		
FINISH	WORK ORDER NO	
HEAT TREAT		

 케이제이에프(주) TOTAL CLAMPING SYSTEMS		TITLE	
HINGE CLAMP		REF DWG NO.	DWG NO.
CLM10-LN		QHGC-4565G-LH_-	A3
SCALE	3/4	TOOL	PART
		SHEET	OF

8

7

6

5

4

3

2

1