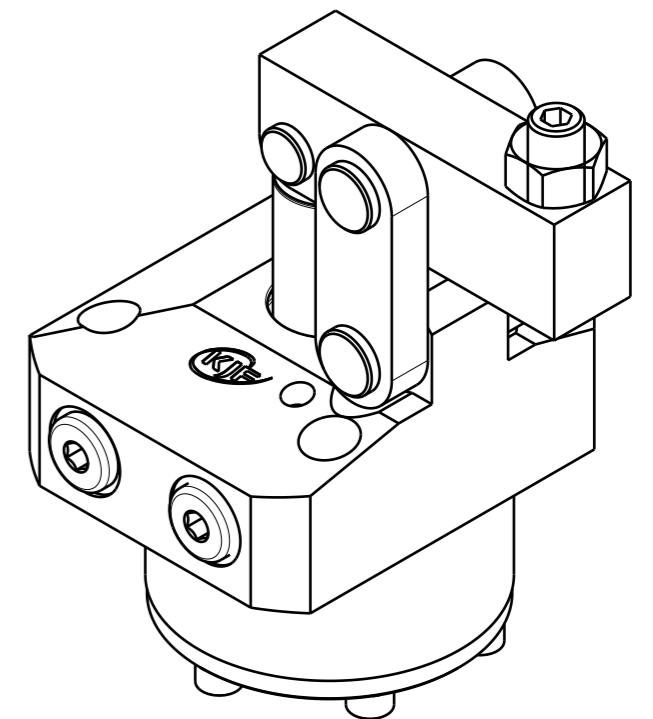
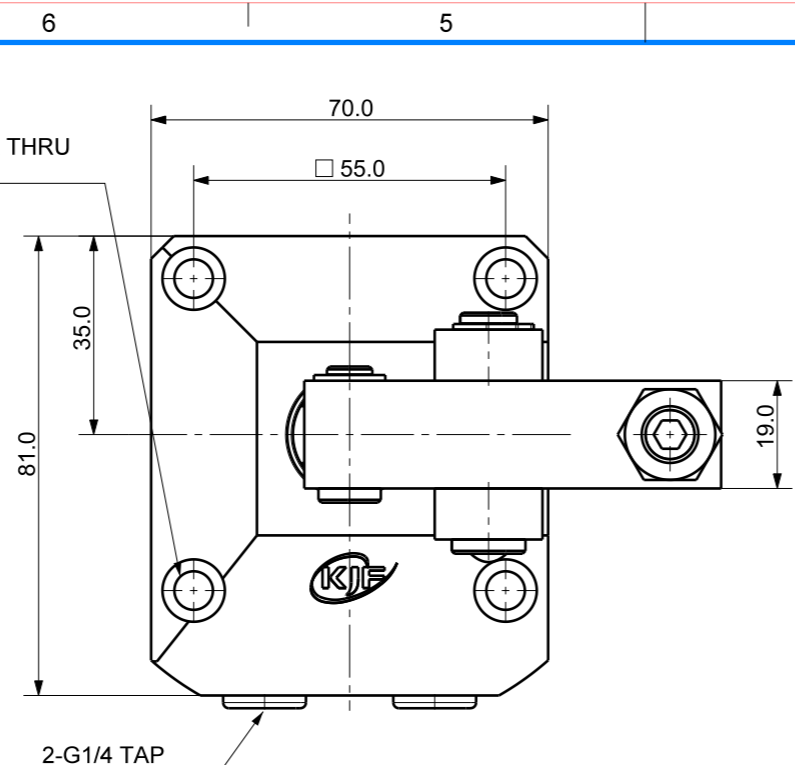
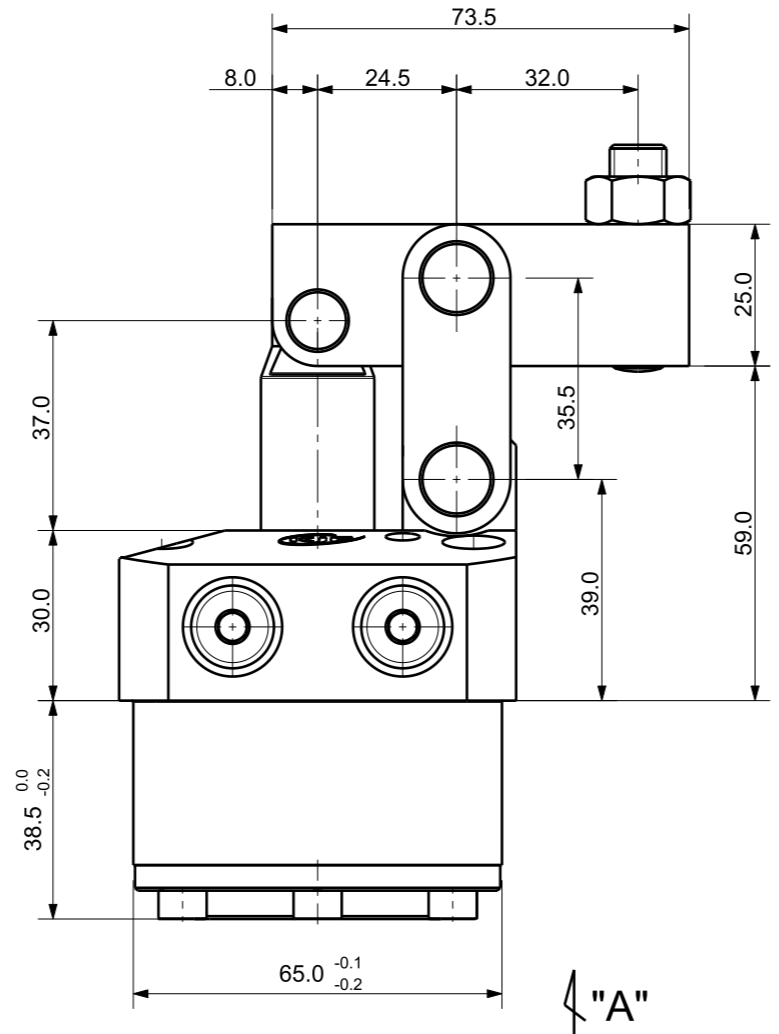
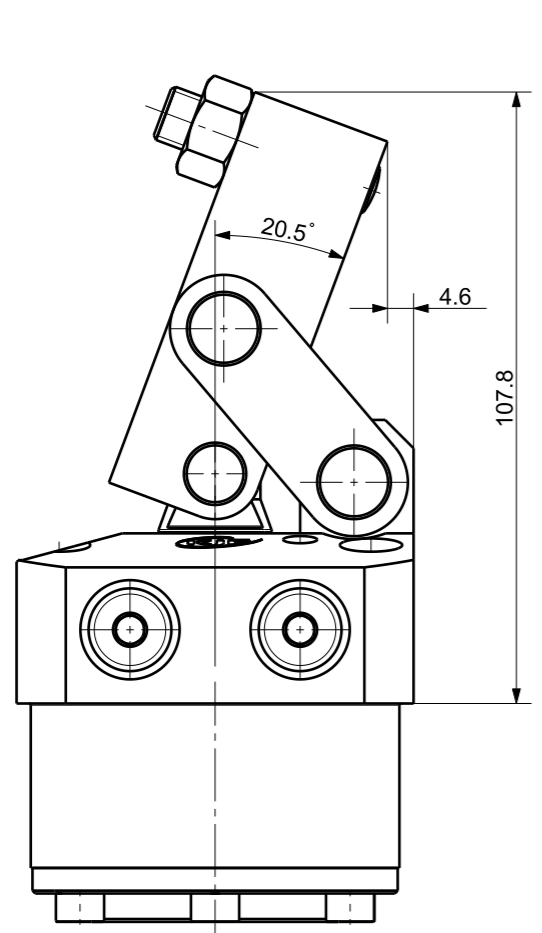


VIEW "A"



Isometric view (3:4)



"A"

REVISIONS				
ZONE	LTR	DESCRIPTION	DATE	APPROVED

DET.NO	NAME	QTY	MAT'L	FINAL SIZES & PART No	REMARK
UNLESS OTHERWISE SPECIFIED		SIGNATURES		MO-DA-YR	
DIMENSIONS ARE IN MM		DRAWN			
ALL SURFACES 6.3S		CHECKED			
TOLERANCES		APPROVED		TITLE	
ANGLE ±				KJF 케이제이에프(주) TOTAL CLAMPING SYSTEMS	
X ±				HINGE CLAMP	
.X ± 0.15				REF DWG NO. CLM10-RN	
.XX ±				DWG NO. QHGC-4565G-RH_-	
FINISH		WORK ORDER NO		SCALE 3/4	
HEAT TREAT				TOOL <input type="checkbox"/> PART <input type="checkbox"/> SHEET <input type="checkbox"/> OF	
				A3	