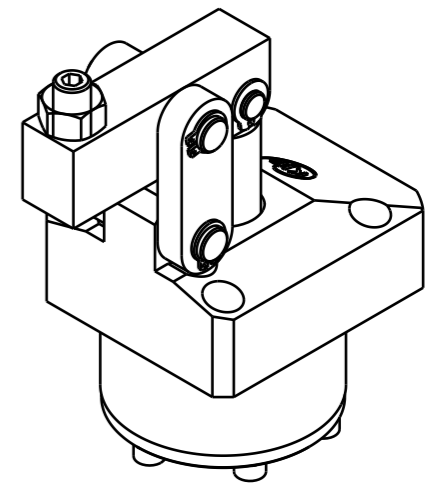
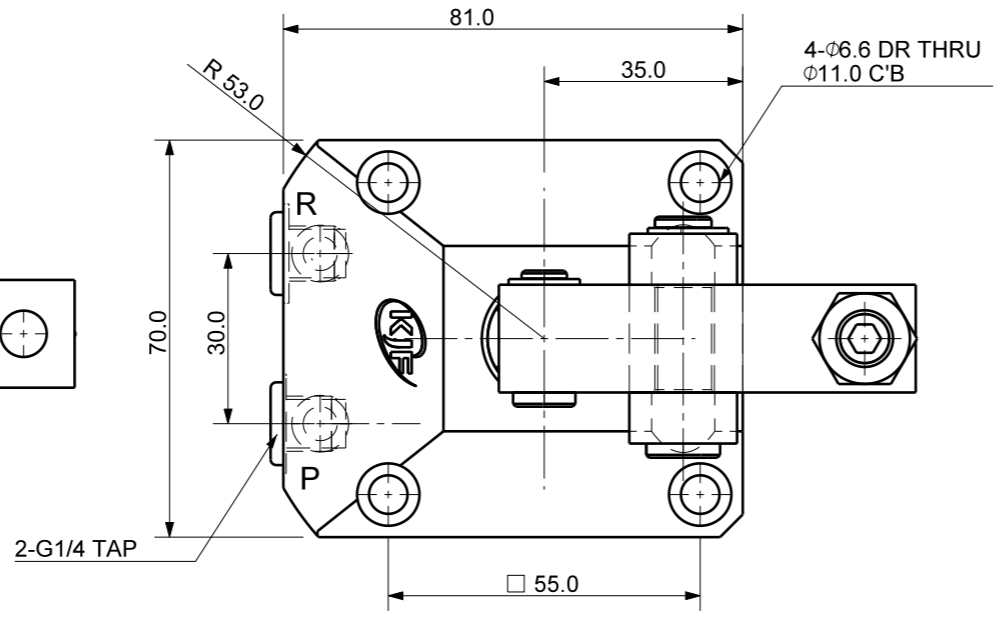
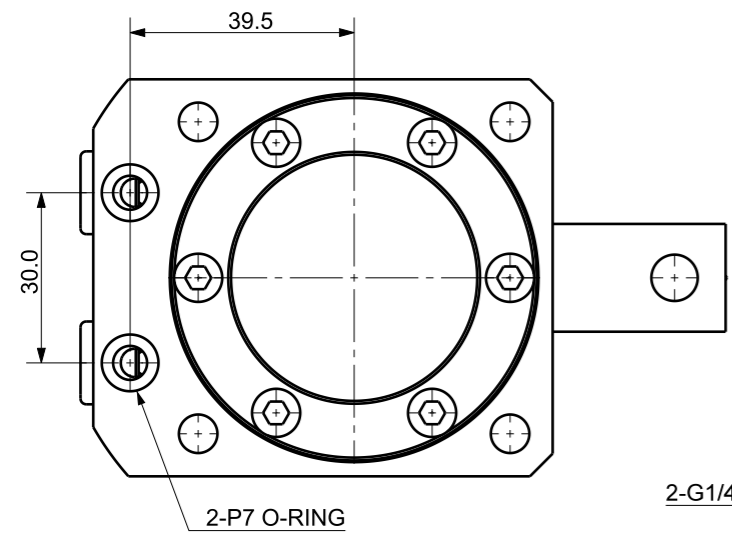


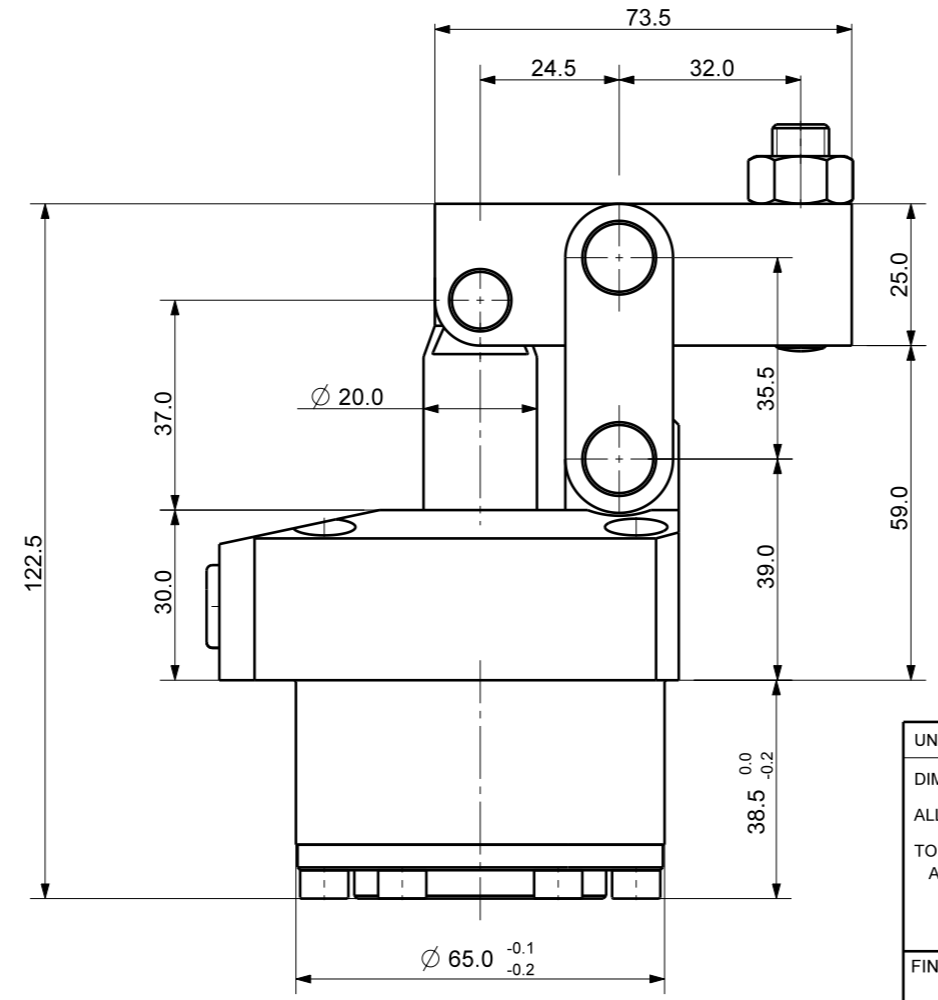
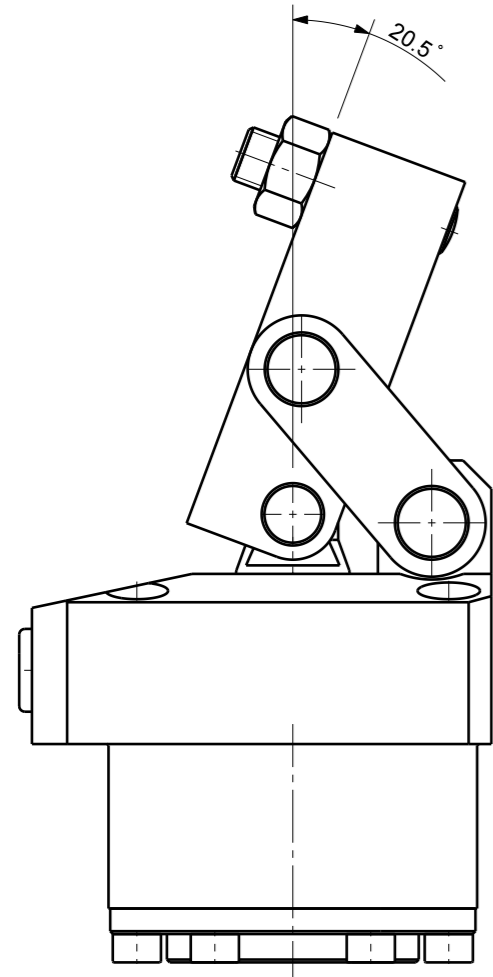
FILE NAME:

REVISIONS


ZONE	LTR	DESCRIPTION	DATE	APPROVED



Isometric view (1:2)



UNLESS OTHERWISE SPECIFIED	SIGNATURES	MO-DA-YR
DIMENSIONS ARE IN MM	DRAWN	
ALL SURFACES 6.3S	CHECKED	
TOLERANCES	APPROVED	
ANGLE ±		
X ±		
.X ± 0.15		
.XX ±		
FINISH	WORK ORDER NO	
HEAT TREAT		

DET. NO	NAME	QTY	MATL	FINAL SIZES & PART No	REMARK
			 케이제이에프(주) TOTAL CLAMPING SYSTEMS		
			TITLE <h1>HINGE CLAMP</h1>		
		REF DWG NO.	DWG NO		
		CLM10-FN	QHGC-4565G_-	A3	
		SCALE 3/4	TOOL <input type="checkbox"/>	PART <input type="checkbox"/>	SHEET OF