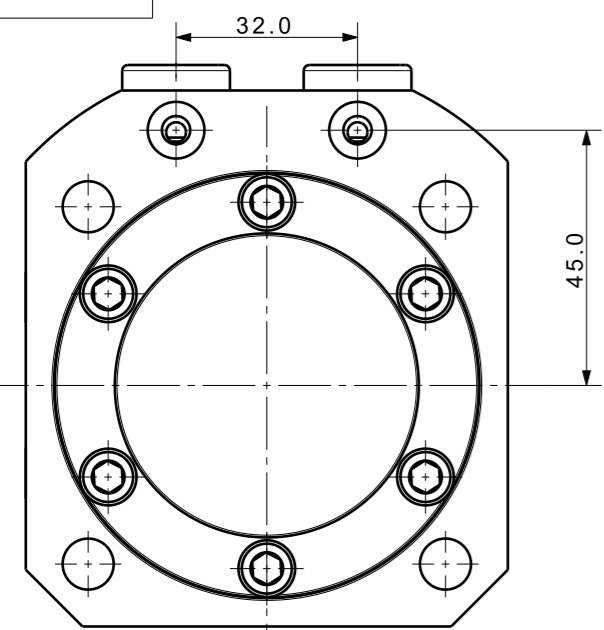
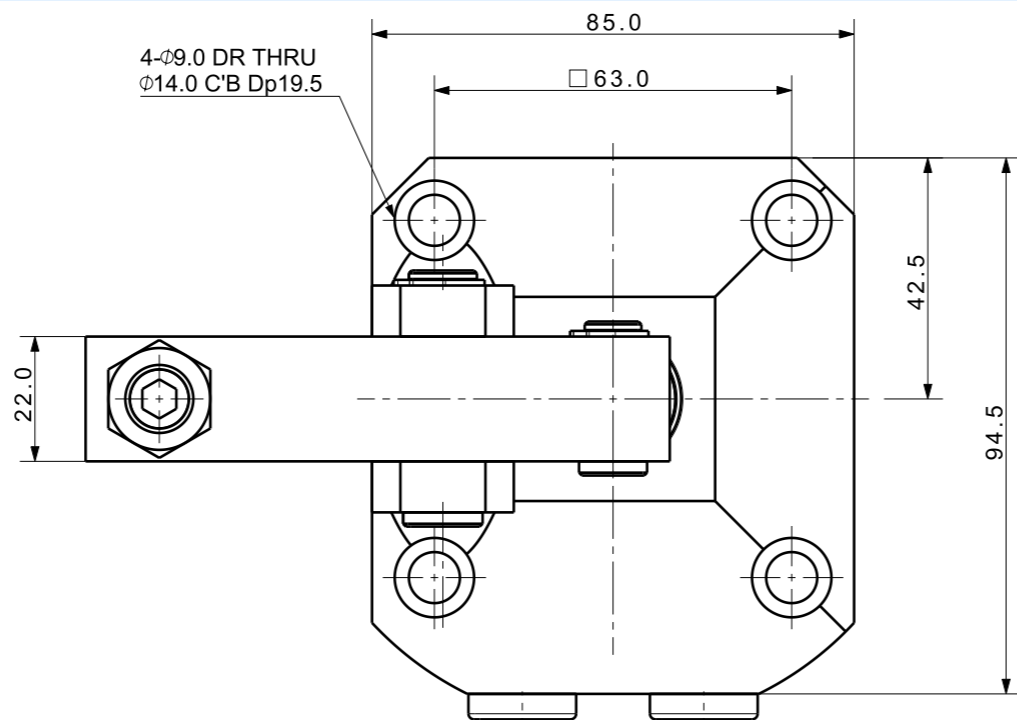


8 7 6 5 4 3 2 1

FILE NAME:

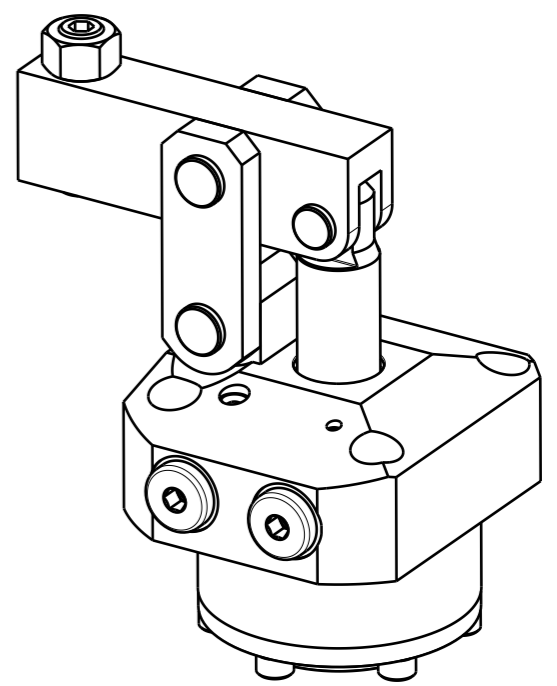


VIEW "A"

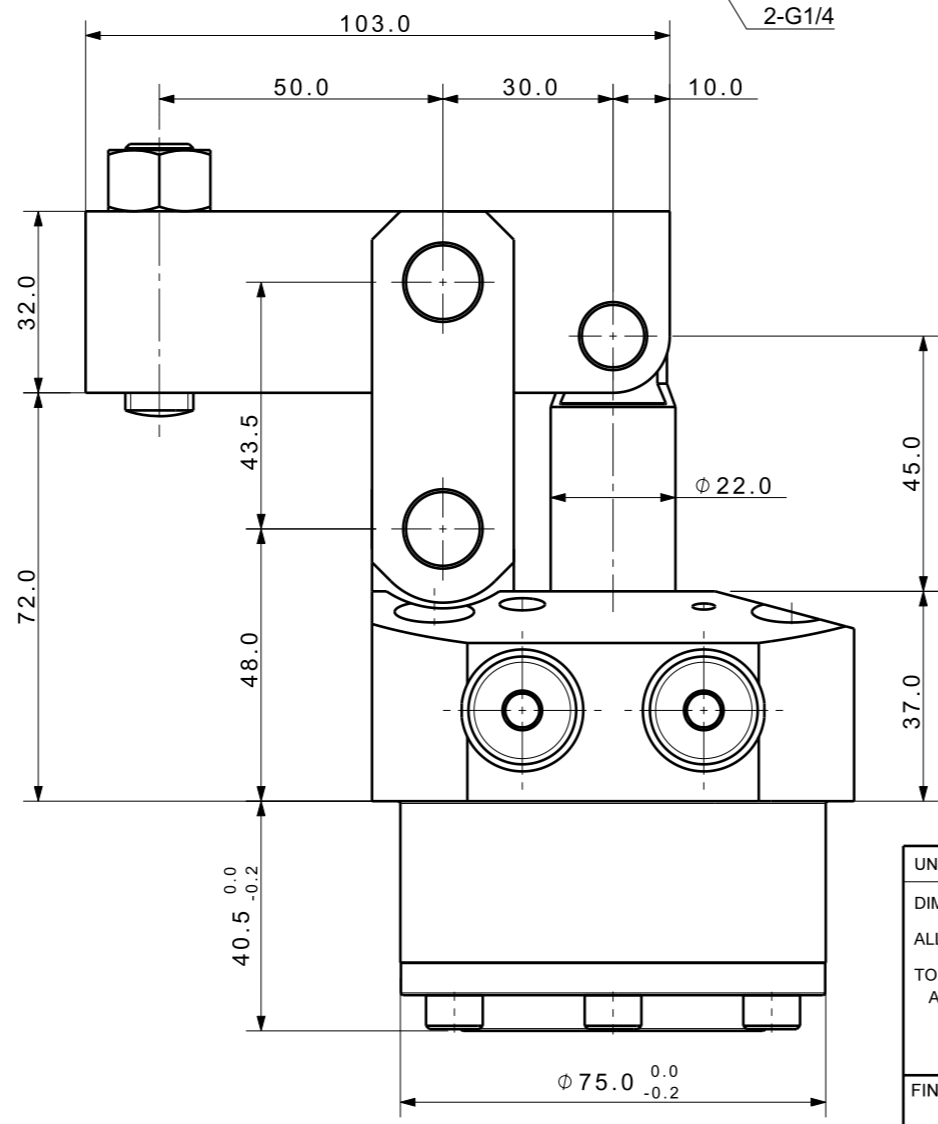
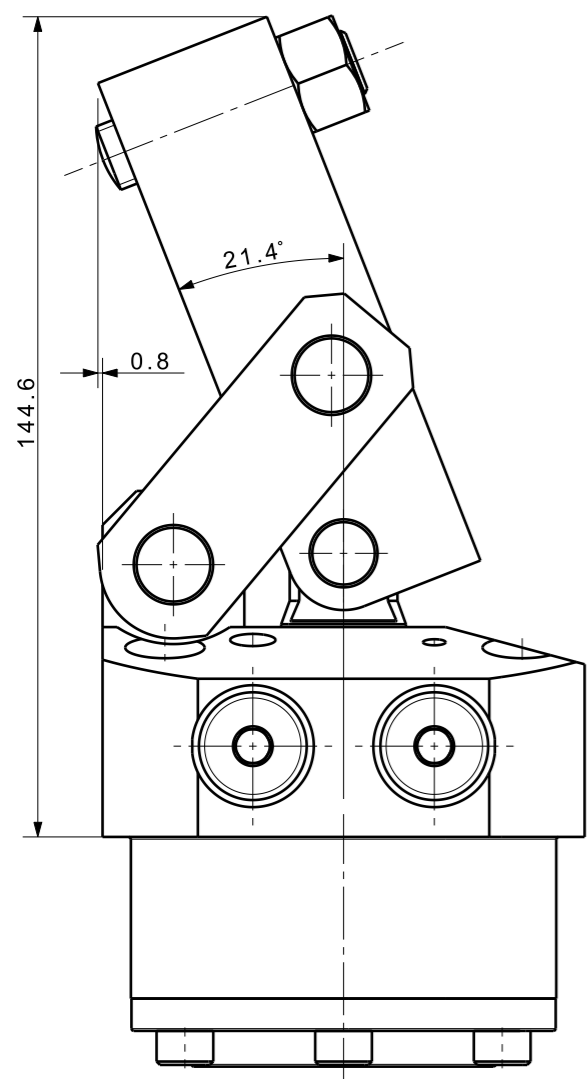


4- ϕ 9.0 DR THRU
 ϕ 14.0 C'B Dp19.5

REVISIONS				
ZONE	LTR	DESCRIPTION	DATE	APPROVED



Isometric view (1:2)



2-G1/4

UNLESS OTHERWISE SPECIFIED
DIMENSIONS ARE IN MM
ALL SURFACES 6.3S
TOLERANCES
ANGLE \pm
X \pm
.X \pm 0.15
.XX \pm
FINISH
HEAT TREAT

DET. NO	NAME	QTY	MAT'L	FINAL SIZES & PART No	REMARK
SIGNATURES		MO-DA-YR			
DRAWN			TITLE		
CHECKED			<h1>HINGE CLAMP</h1>		
APPROVED					
WORK ORDER NO		REF DWG NO.	DWG NO.	A3	
		CLM16-LN	QHGC-5575G-LH_-		
		SCALE 3/4	TOOL <input type="checkbox"/>	PART <input type="checkbox"/>	SHEET OF

8 7 6 5 4 3 2 1