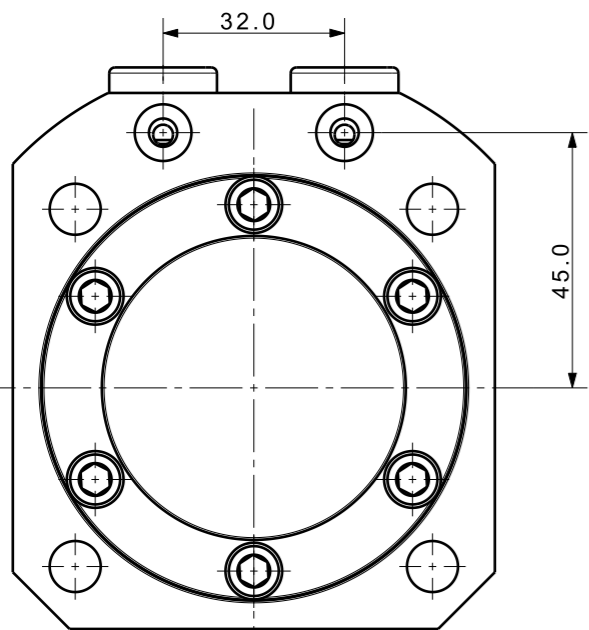


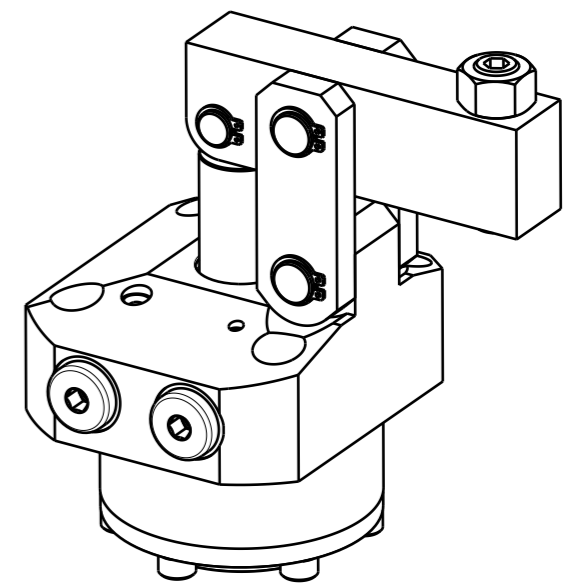
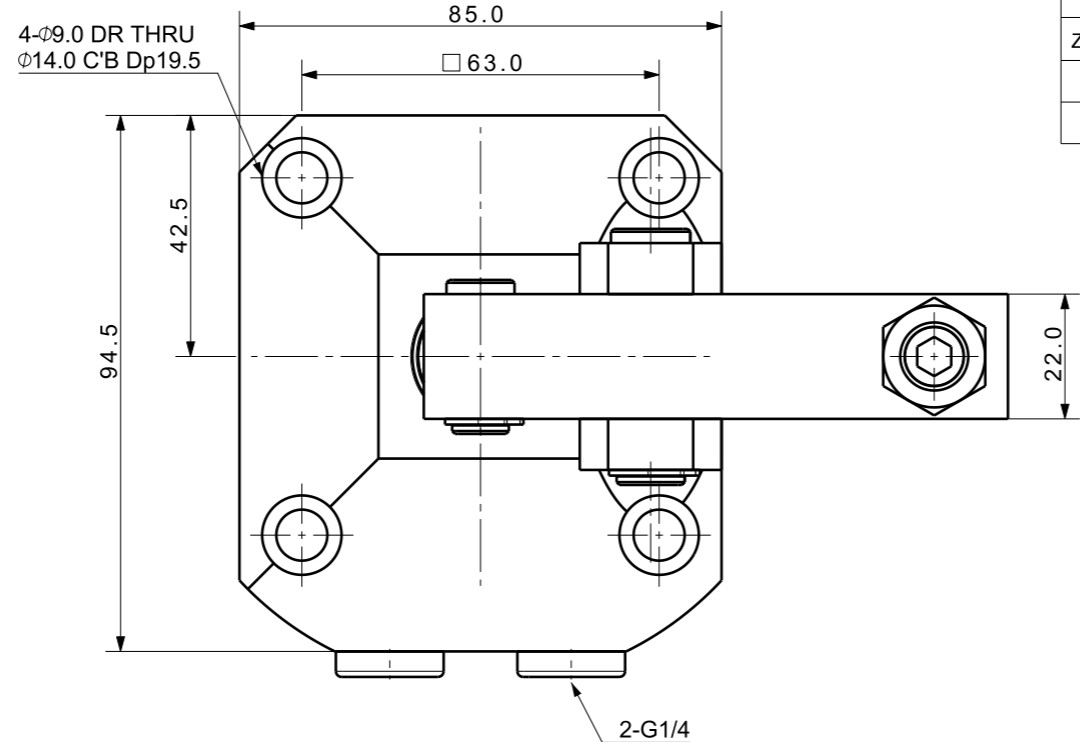
FILE NAME:

REVISIONS

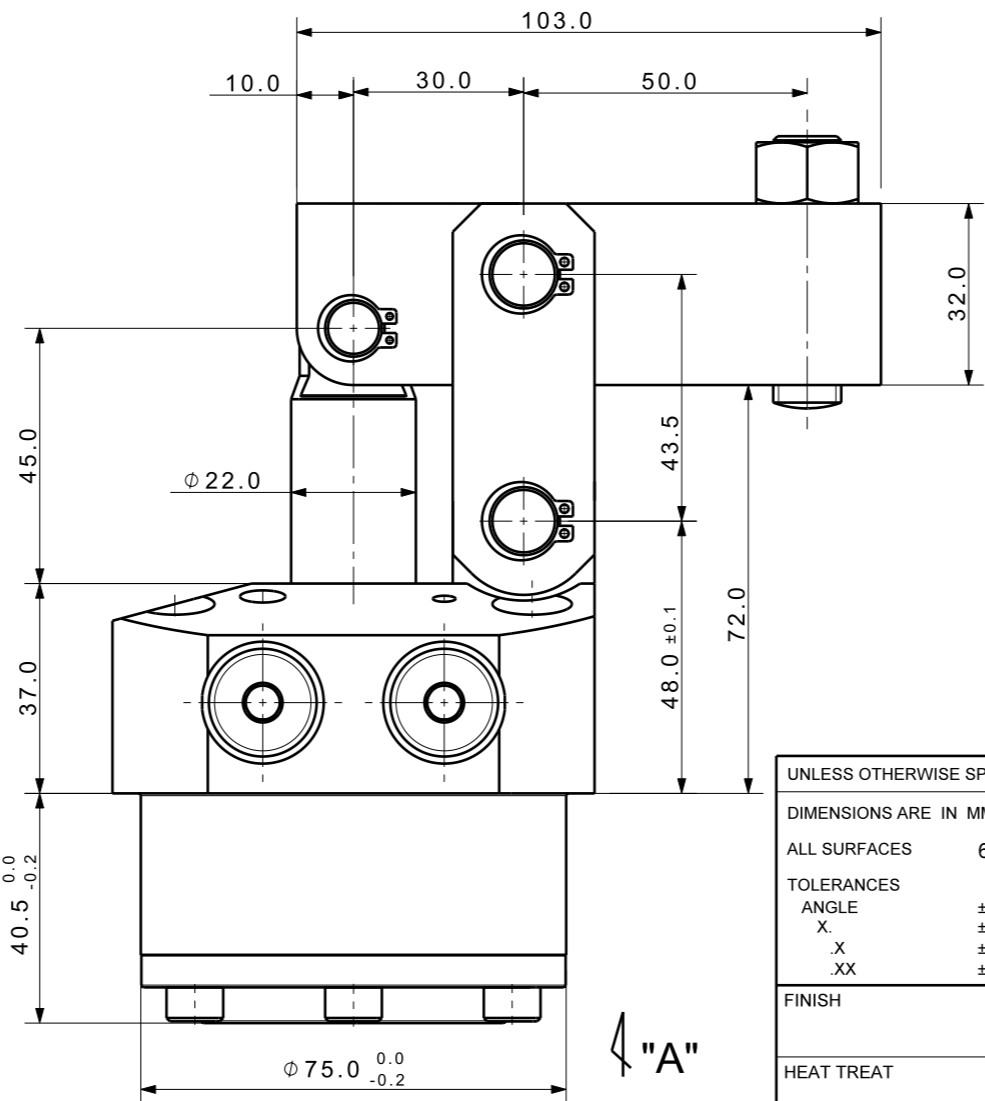
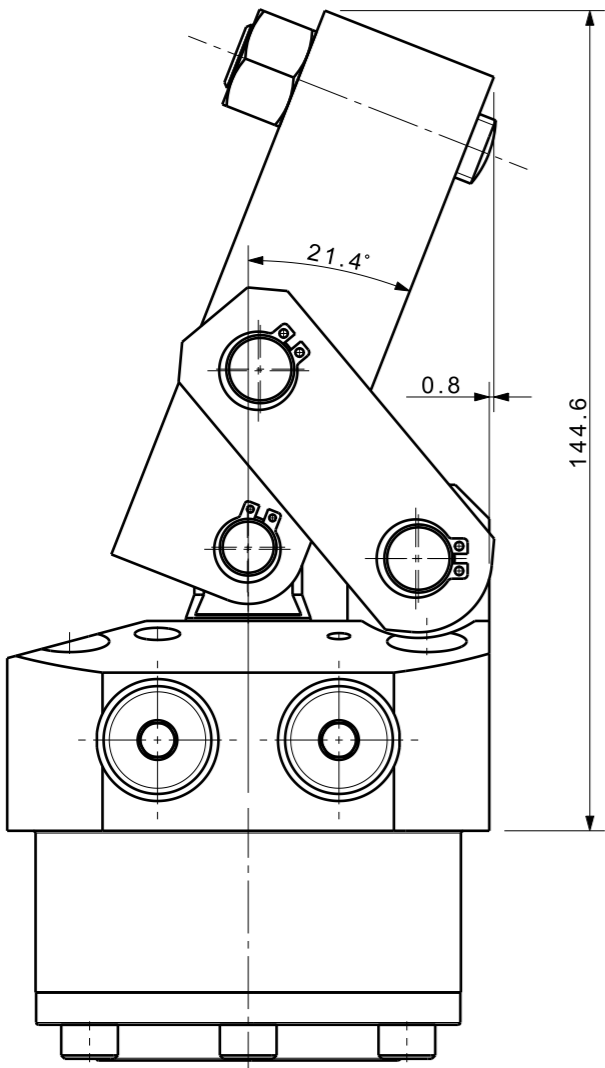
ZONE	LTR	DESCRIPTION	DATE	APPROVED



VIEW "A"



Isometric view (1:2)



UNLESS OTHERWISE SPECIFIED
 DIMENSIONS ARE IN MM
 ALL SURFACES 6.3S
 TOLERANCES
 ANGLE ±
 X ± 0.15
 .XX ±
 FINISH
 HEAT TREAT

DET. NO	NAME	QTY	MAT'L	FINAL SIZES & PART No	REMARK
SIGNATURES		MO-DA-YR	(주)케이제이에프 TOTAL CLAMPING SYSTEMS		
DRAWN			TITLE		
CHECKED			<h2 style="text-align: center;">HINGE CLAMP</h2>		
APPROVED					
WORK ORDER NO		REF DWG NO.	DWG NO.	A3	
		CLM16-RN	QHGC-5575G-RH_-		
		SCALE 3/4	TOOL <input type="checkbox"/>	PART <input type="checkbox"/>	SHEET OF