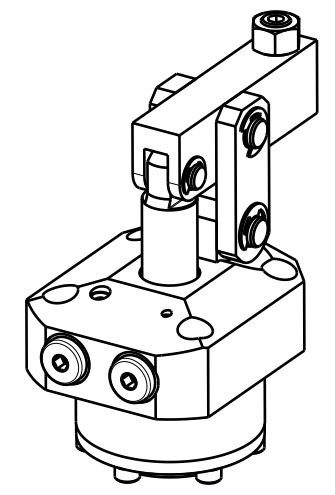
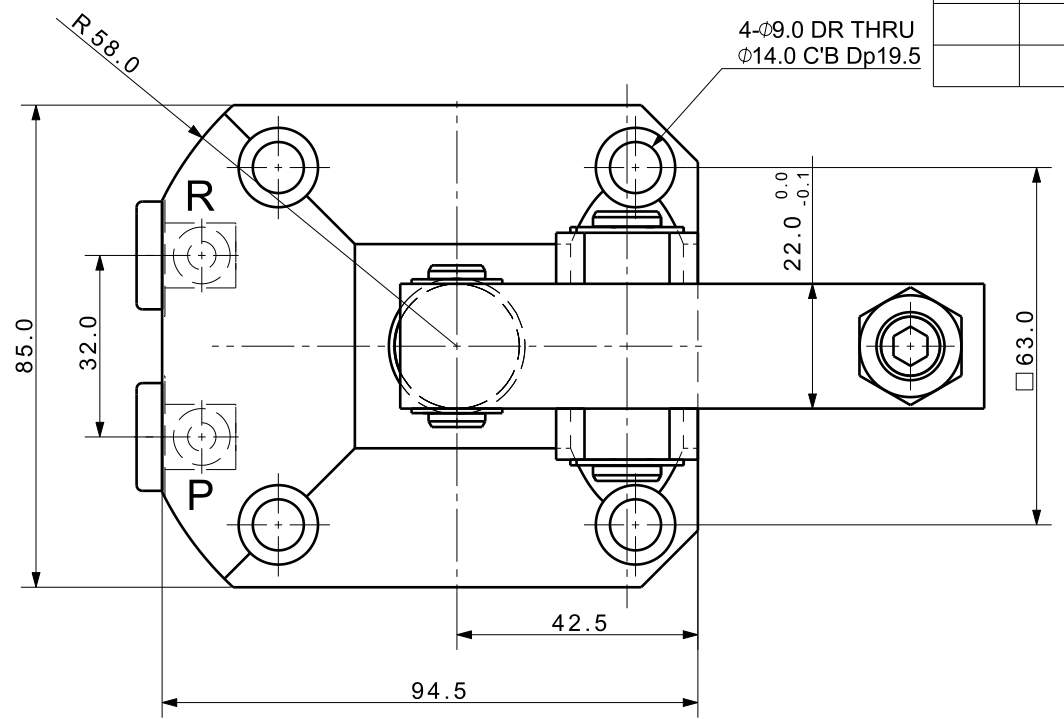
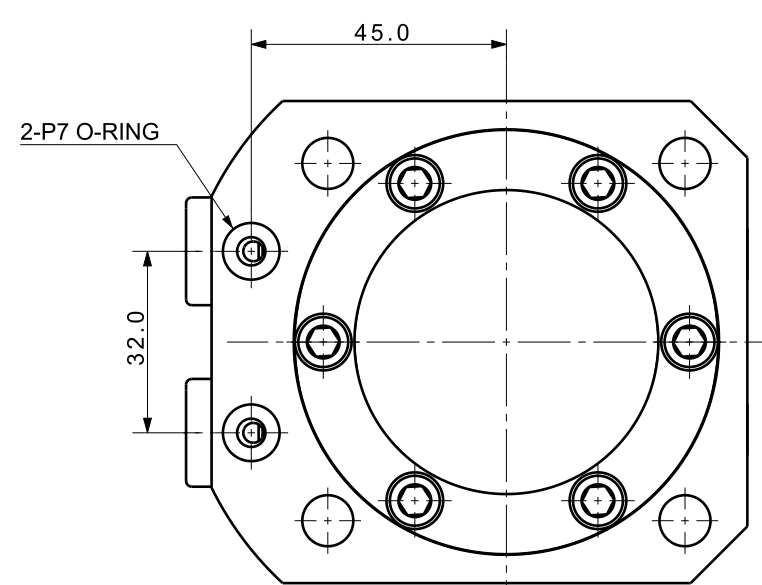


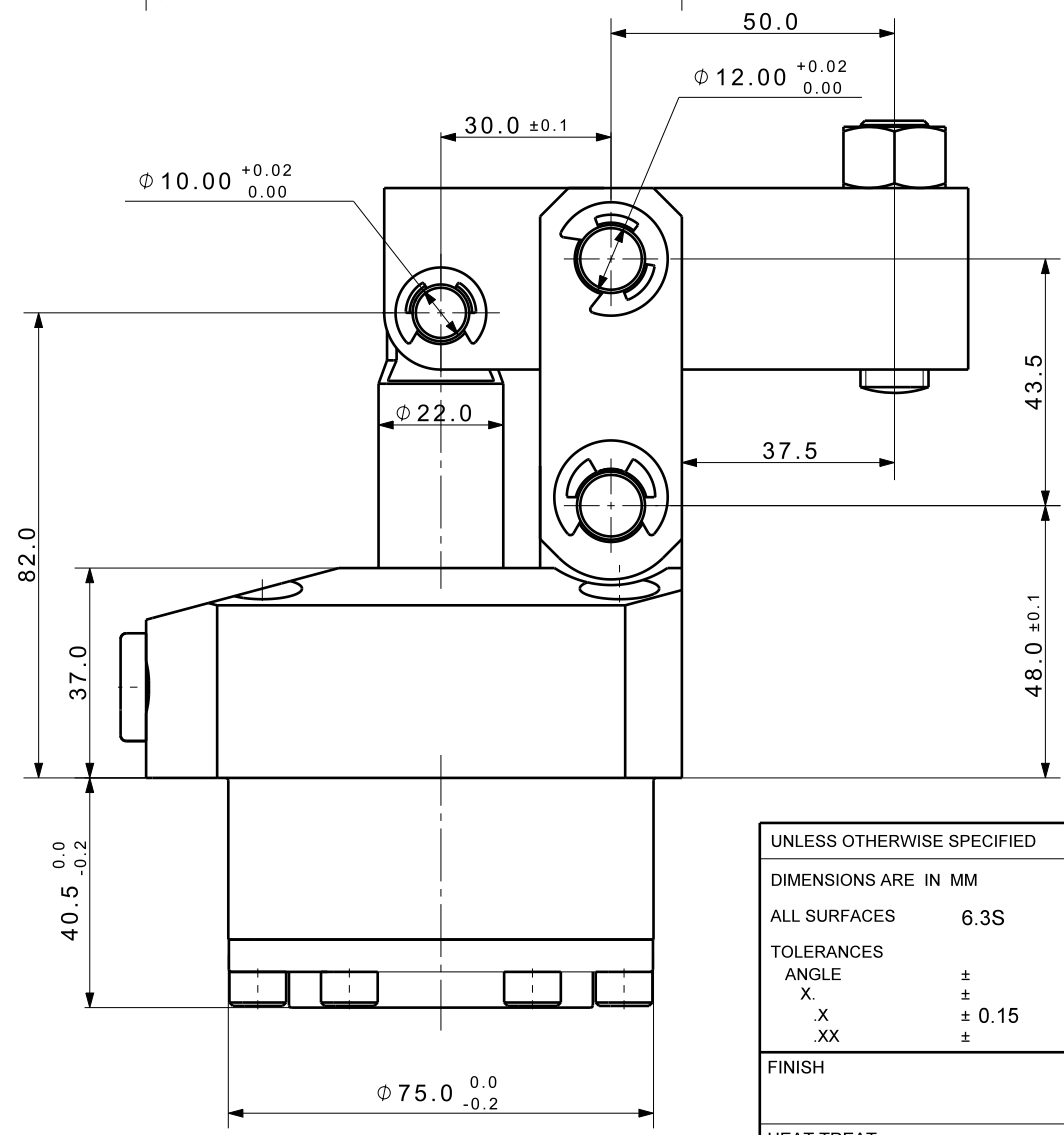
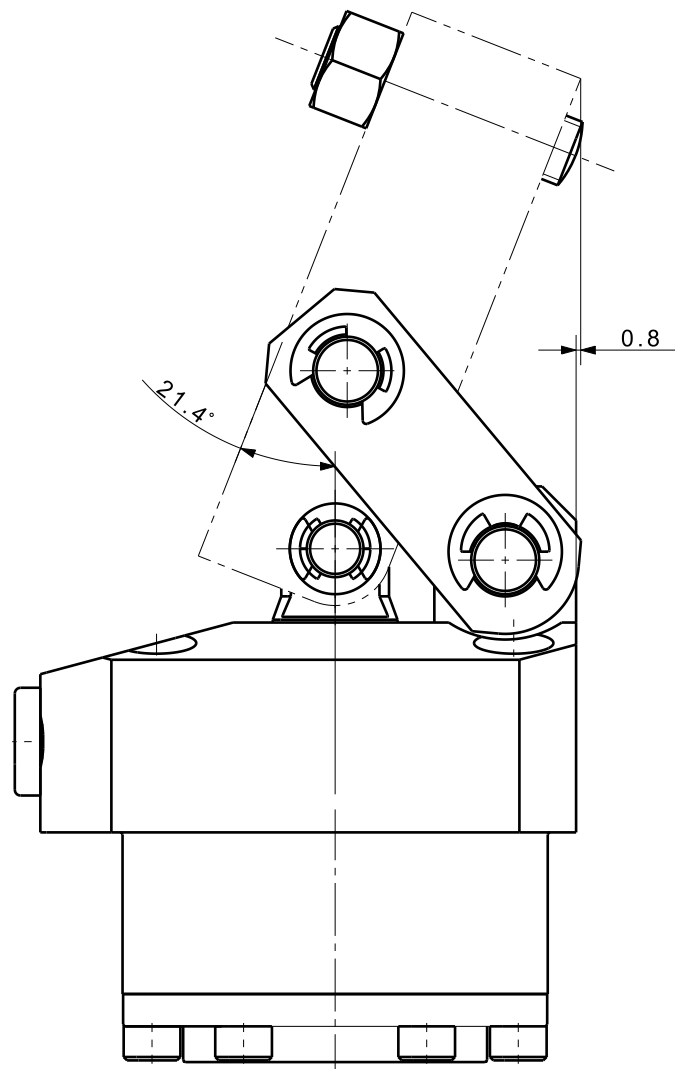
FILE NAME:

REVISIONS

ZONE	LTR	DESCRIPTION	DATE	APPROVED



Isometric view (1:3)



DET. NO	NAME	QTY	MAT'L	FINAL SIZES & PART No	REMARK

UNLESS OTHERWISE SPECIFIED
 DIMENSIONS ARE IN MM
 ALL SURFACES 6.3S
 TOLERANCES
 ANGLE ±
 .X ± 0.15
 .XX ±
 FINISH
 HEAT TREAT

SIGNATURES
 DRAWN
 CHECKED
 APPROVED

MO-DA-YR

 TITLE
HINGE CLAMP

WORK ORDER NO
 REF DWG NO. CLM16-FN
 DWG NO. QHGC-5575G_-
 SCALE 3/4
 TOOL PART SHEET OF
A3