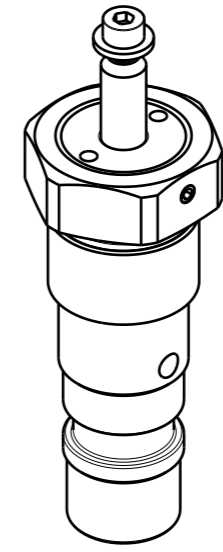
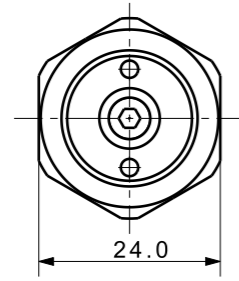


8 7 6 5 4 3 2 1

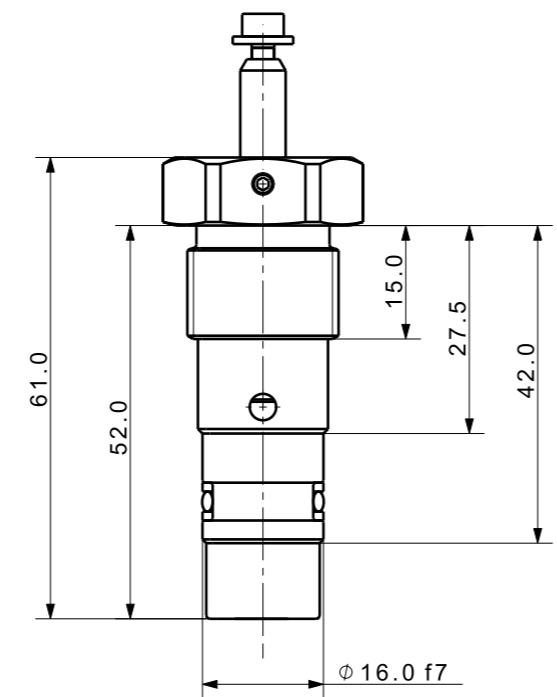
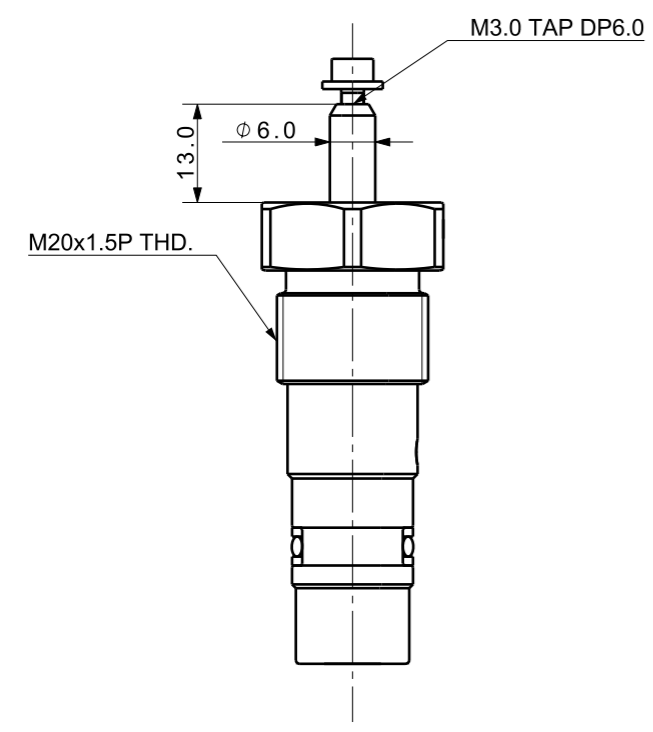
FILE NAME:

REVISIONS

ZONE	LTR	DESCRIPTION	DATE	APPROVED




Isometric view (1:1)



DET. NO	NAME	QTY	MAT'L	FINAL SIZES & PART No	REMARK

UNLESS OTHERWISE SPECIFIED	SIGNATURES	MO-DA-YR
DIMENSIONS ARE IN MM	DRAWN	
ALL SURFACES 6.3S	CHECKED	
TOLERANCES	APPROVED	
ANGLE ±		
X ±		
.X ± 0.15		
.XX ±		
FINISH	WORK ORDER NO	
HEAT TREAT		


**(주)케이제이에프**  
 TOTAL CLAMPING SYSTEMS

**SWING CLAMP**

REF DWG NO. **1848-115**    DWG NO. **RSDx-1018C\_A**    **A3** OF

SCALE  TOOL  PART  SHEET

8 7 6 5 4 3 2 1