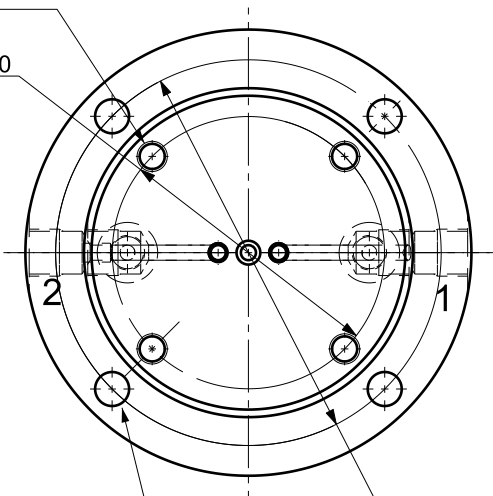


FILE NAME:

REVISIONS				
ZONE	LTR	DESCRIPTION	DATE	APPROVED

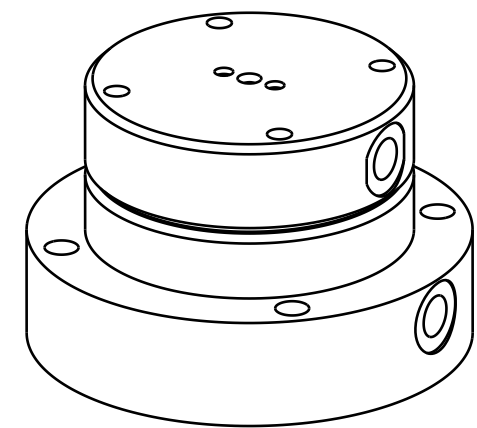
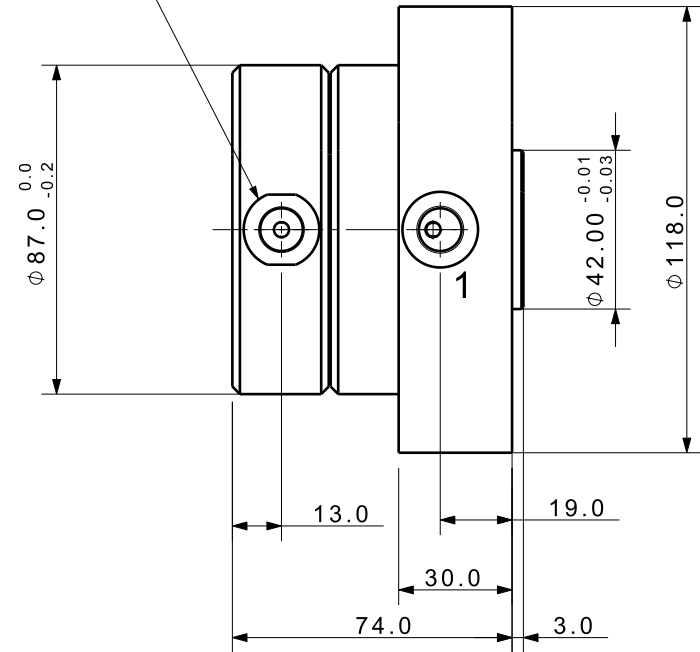
4-M8 TAP Dp13.0
EQUAL SPACE
PCD ϕ 72.0

PCD ϕ 72.0

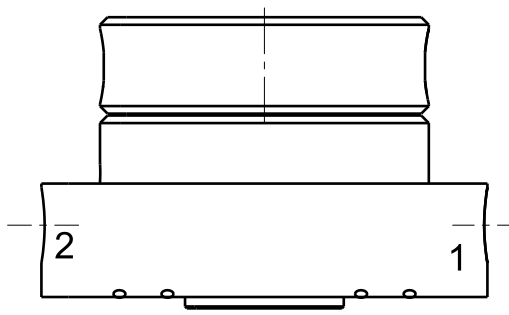


4- ϕ 9.0 DR THRU
EQUAL SPACE
PCD ϕ 102.0

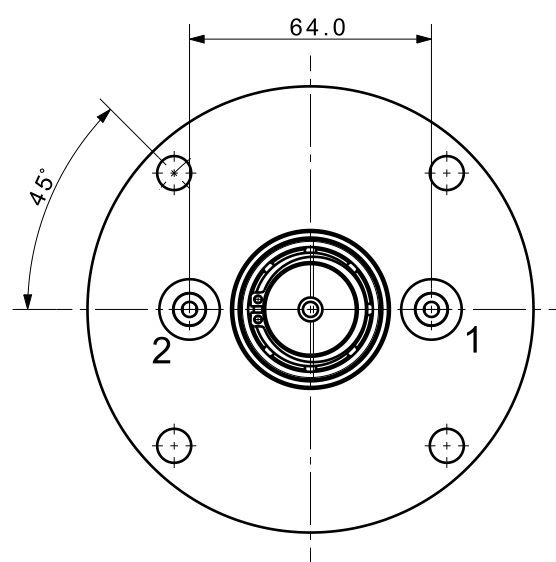
2x2-PT1/4 TAP




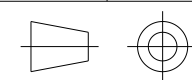
Isometric view (1:2)



4
"B"



View "B" (1:2)

DET. NO	NAME	QTY	MAT'L	FINAL SIZES & PART No	REMARK
UNLESS OTHERWISE SPECIFIED		SIGNATURES		MO-DA-YR	 케이제이에프(주) TOTAL CLAMPING SYSTEMS
DIMENSIONS ARE IN MM		DRAWN	OYS	00-00-00	
ALL SURFACES 6.3S		CHECKED			
TOLERANCES		APPROVED			
ANGLE				ROTARY JOINT	
.X \pm					
.X \pm 0.15					
.XX \pm					
FINISH		WORK ORDER NO		REF DWG NO.	DWG NO
BLOCK OXIDE				---	RTC-020_-
HEAT TREAT				SCALE	TOOL <input type="checkbox"/> PART <input type="checkbox"/> SHEET <input type="checkbox"/> OF
HRC18~22					A3