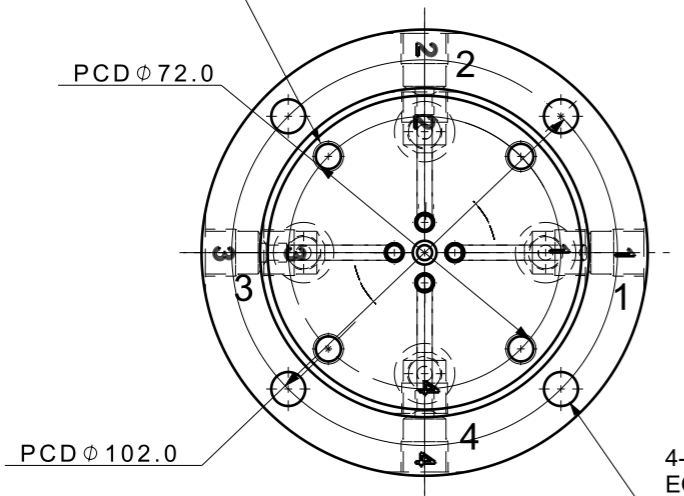


FILE NAME:

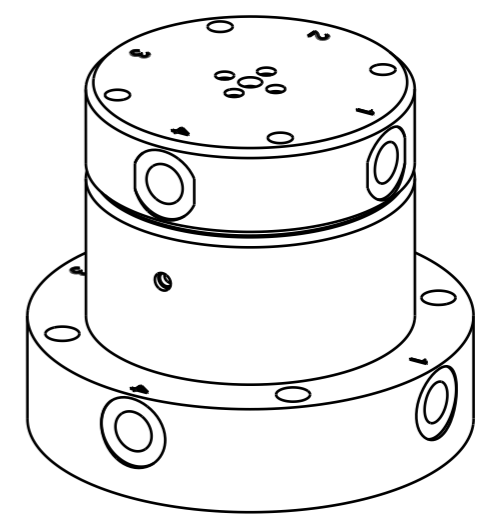
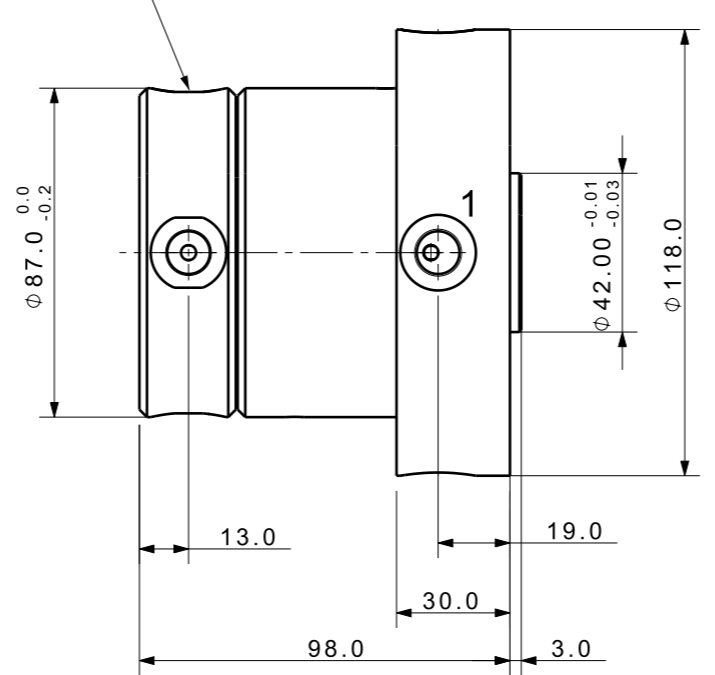
REVISIONS

ZONE	LTR	DESCRIPTION	DATE	APPROVED
------	-----	-------------	------	----------

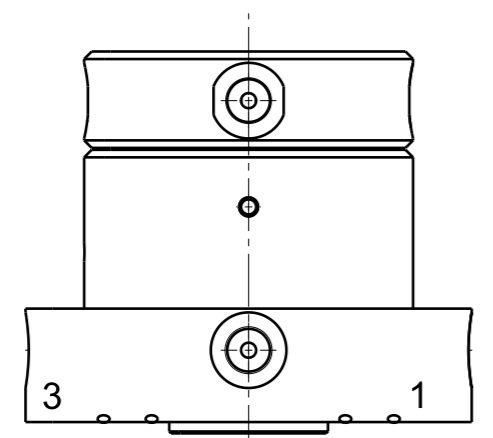
4-M8 TAP Dp13.0
EQUAL SPACE
PCD ϕ 72.0



2x4-PT1/4 TAP

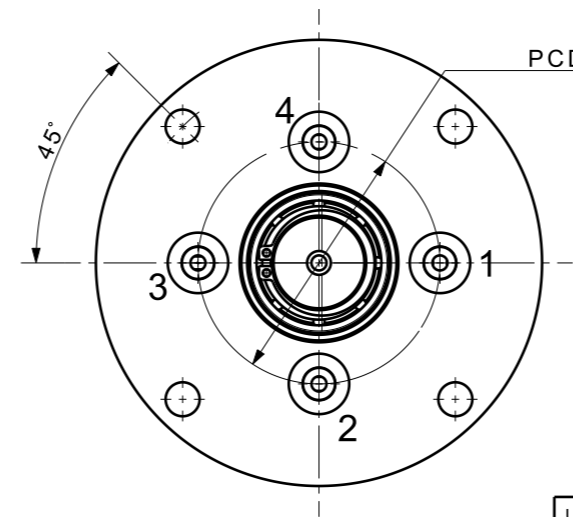


Isometric view (1:2)



4
"B"

PCD ϕ 64.0



View "B" (1:2)

DET. NO	NAME	QTY	MAT'L	FINAL SIZES & PART No	REMARK	
UNLESS OTHERWISE SPECIFIED		SIGNATURES		MO-DA-YR	케이제이에프(주) TOTAL CLAMPING SYSTEMS	
DIMENSIONS ARE IN MM		DRAWN	OYS	00-00-00		
ALL SURFACES 6.3S		CHECKED				
TOLERANCES		APPROVED				
ANGLE	\pm			ROTARY JOINT		
.X	\pm					
.X	± 0.15					
.XX	\pm					
FINISH	BLOCK OXIDE	WORK ORDER NO		REF DWG NO.	DWG NO	
HEAT TREAT	HRC18~22			---	RTC-040_-	
		SCALE	<input checked="" type="checkbox"/>	TOOL <input type="checkbox"/>	PART <input type="checkbox"/>	SHEET
						OF

A3