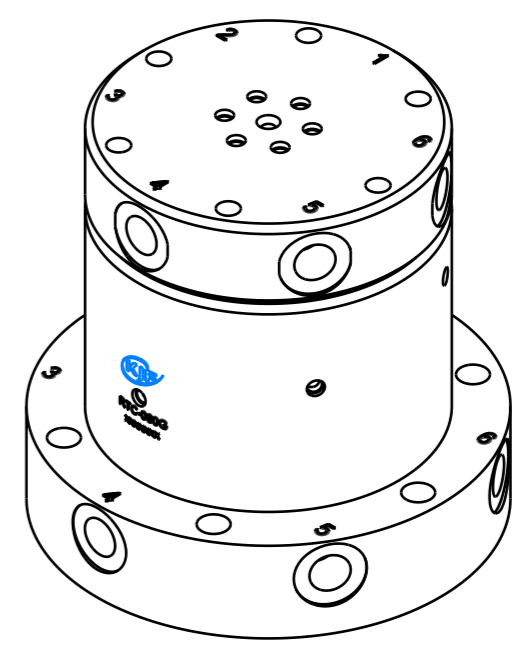
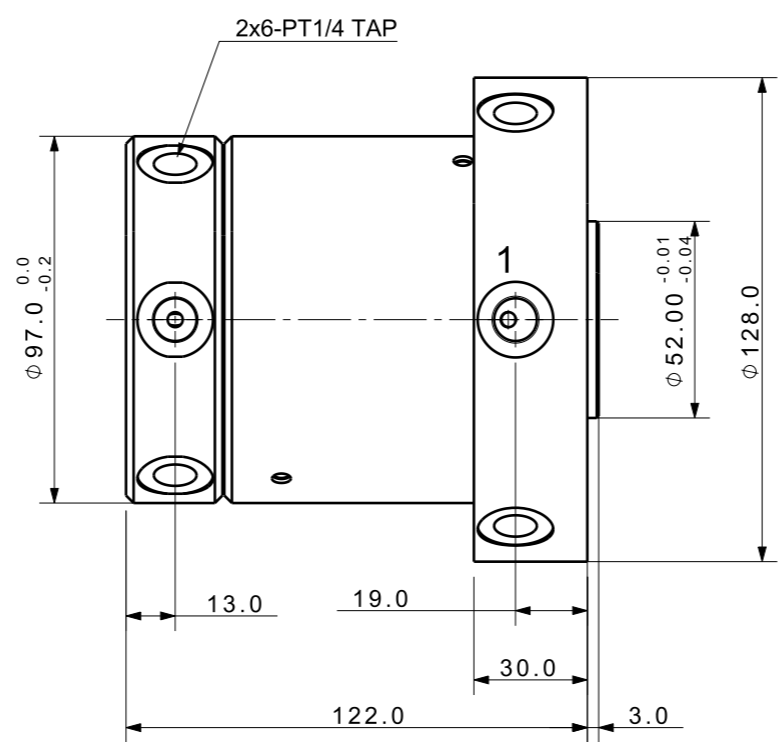
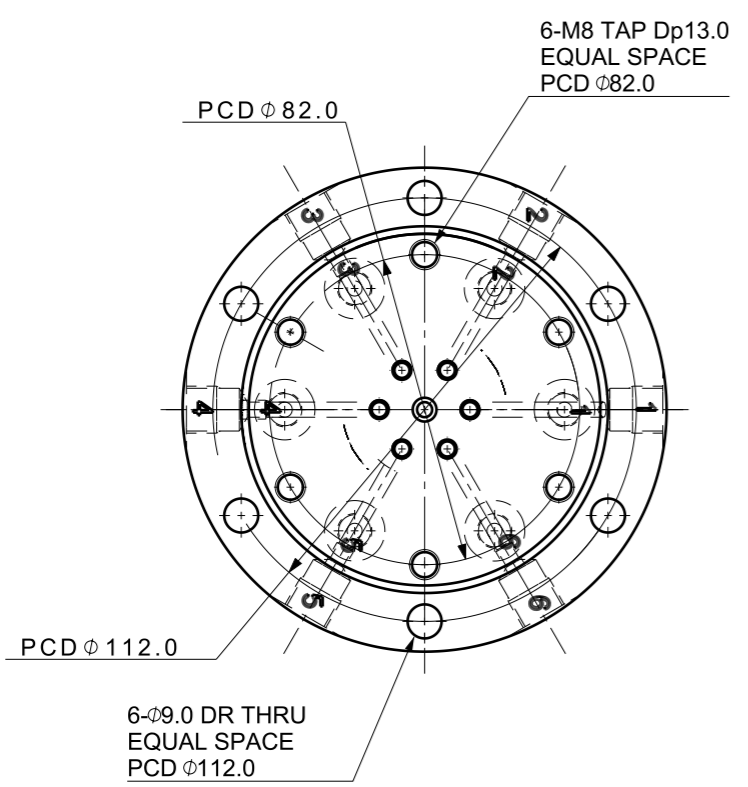


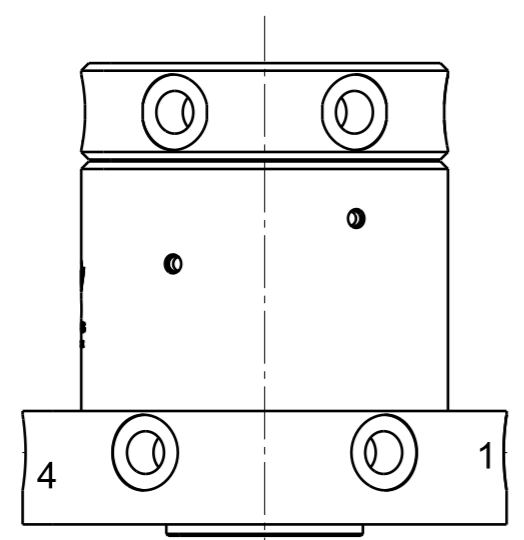
FILE NAME:

REVISIONS

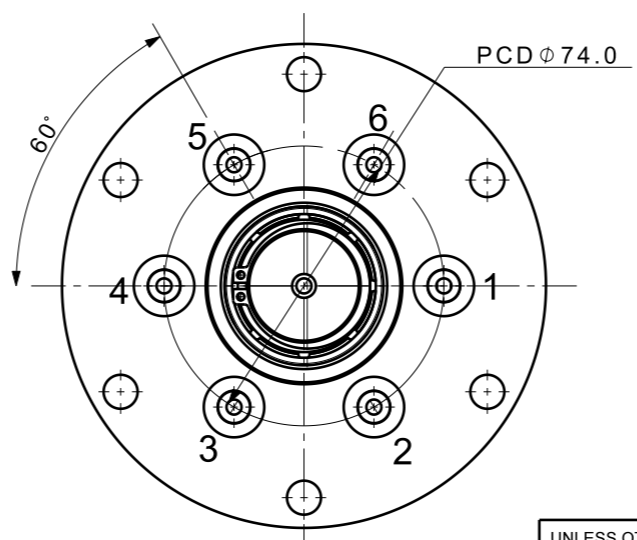
ZONE	LTR	DESCRIPTION	DATE	APPROVED
------	-----	-------------	------	----------




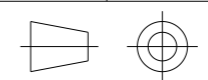
Isometric view (1:2)



4
"B"



View "B" (1:2)

DET. NO	NAME	QTY	MAT'L	FINAL SIZES & PART No	REMARK
UNLESS OTHERWISE SPECIFIED		SIGNATURES		MO-DA-YR	 케이제이에프(주) TOTAL CLAMPING SYSTEMS
DIMENSIONS ARE IN MM		DRAWN	OK Y.S	05-31-14	
ALL SURFACES 6.3S		CHECKED			
TOLERANCES		APPROVED		TITLE	
ANGLE				ROTARY JOINT	
X ±					
.X ± 0.15					
.XX ±					
FINISH		WORK ORDER NO		REF DWG NO.	DWG NO
BLOCK OXIDE				---	RTC-060_-
HEAT TREAT				---	
				SCALE 1/2	TOOL <input type="checkbox"/> PART <input type="checkbox"/> SHEET OF

A3