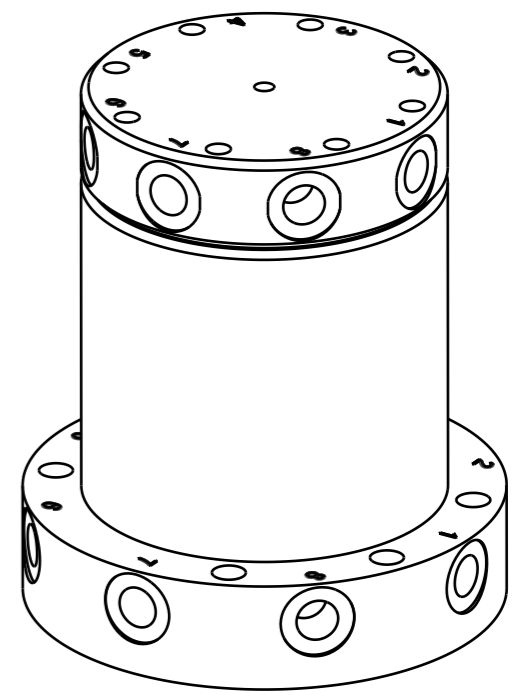
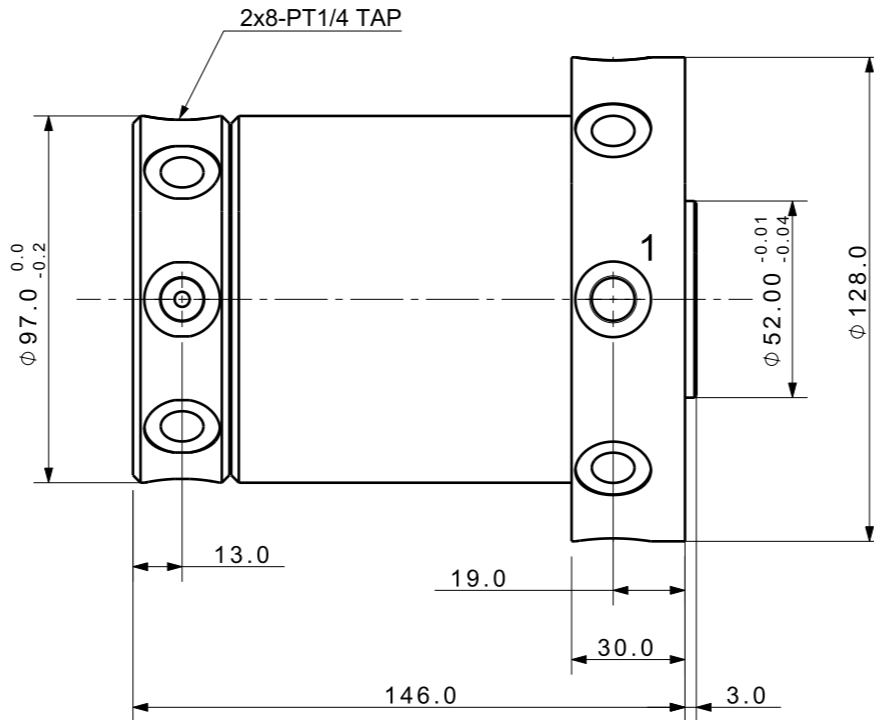
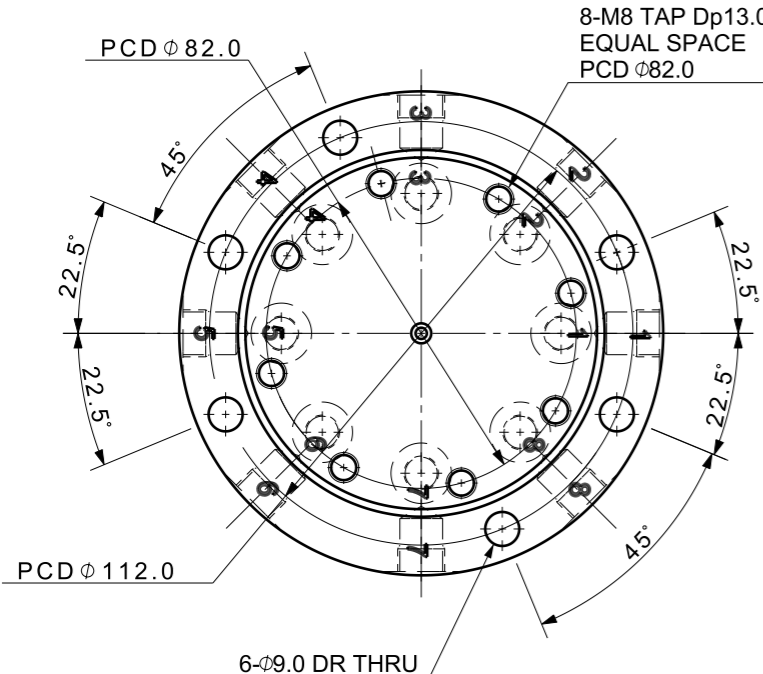


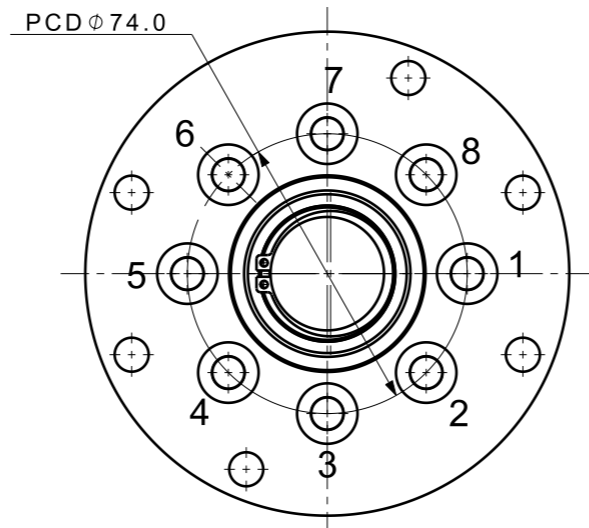
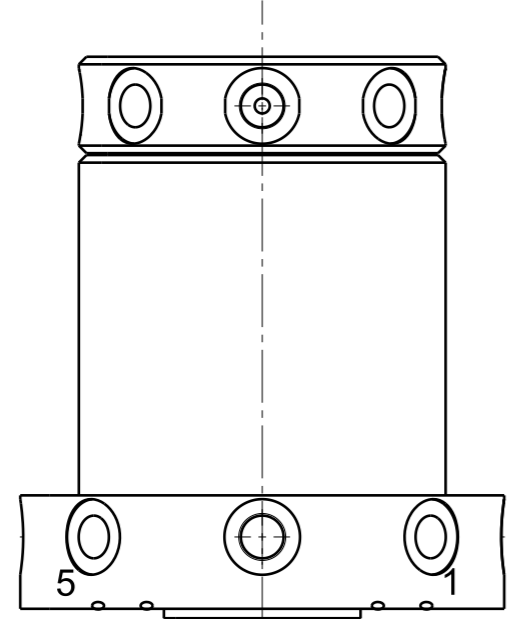
FILE NAME:

REVISIONS

ZONE	LTR	DESCRIPTION	DATE	APPROVED
------	-----	-------------	------	----------



Isometric view (1:2)



View "B" (1:2)

"B"

DET. NO	NAME	QTY	MAT'L	FINAL SIZES & PART No	REMARK		
UNLESS OTHERWISE SPECIFIED		SIGNATURES		MO-DA-YR	케이제이에프(주) TOTAL CLAMPING SYSTEMS ROTARY JOINT		
DIMENSIONS ARE IN MM		DRAWN	OYS	00-00-00			
ALL SURFACES 6.3S		CHECKED					
TOLERANCES		APPROVED					
ANGLE				REF DWG NO. --- DWG NO. RTC-080_-			
X. \pm						SCALE <input checked="" type="checkbox"/> TOOL <input type="checkbox"/> PART <input type="checkbox"/> SHEET <input type="checkbox"/> OF	
.X \pm 0.15							
.XX \pm							
FINISH		WORK ORDER NO		DWG NO. RTC-080_- A3			
BLOCK OXIDE							
HEAT TREAT							
HRC18~22							