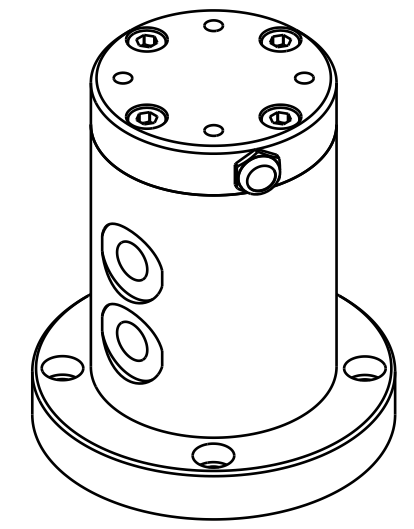
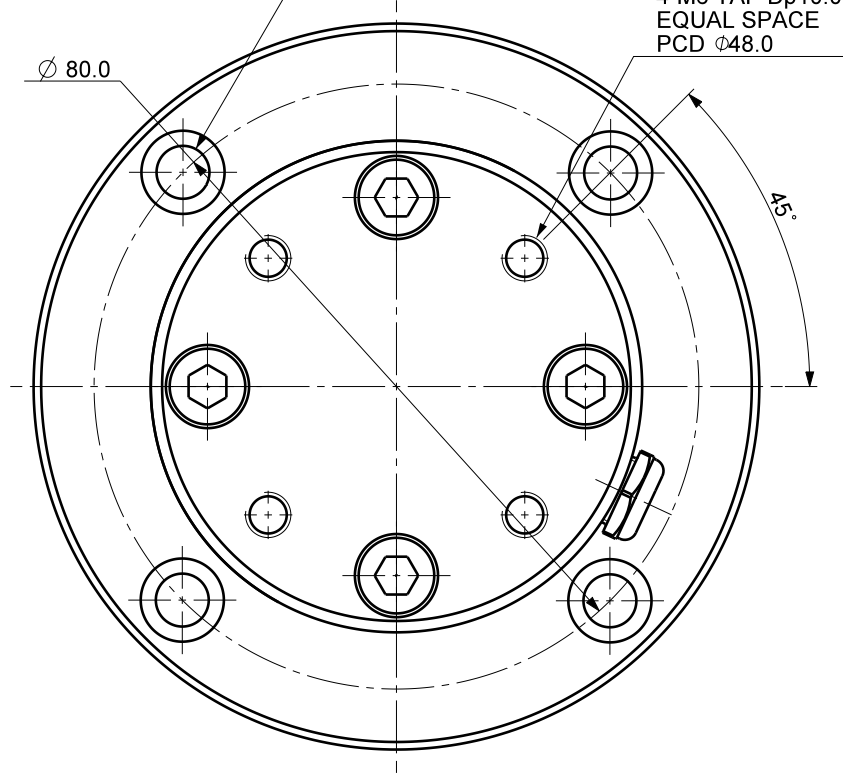
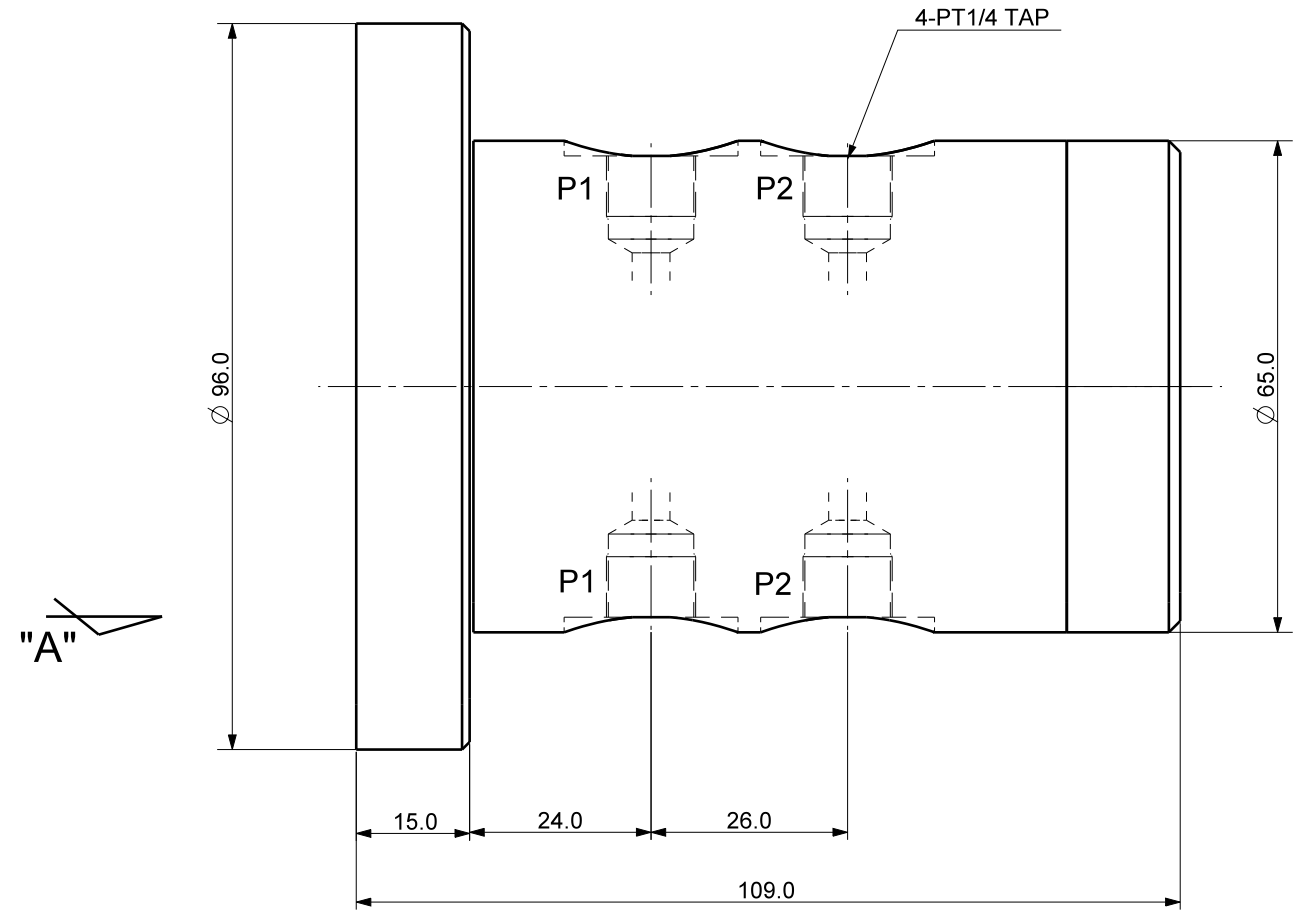


FILE NAME:

REVISIONS				
ZONE	LTR	DESCRIPTION	DATE	APPROVED

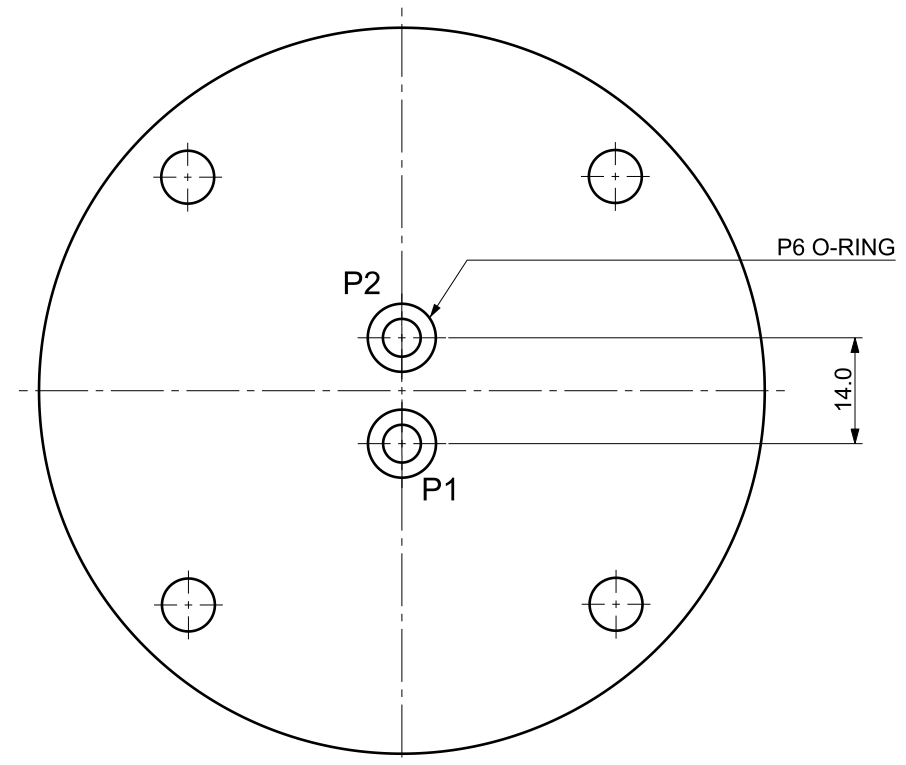
4-Ø7.0 DR THRU  
 Ø11.0 C,B Dp6.0  
 EQUAL SPACE  
 PCD Ø80.0

4-M6 TAP Dp10.0  
 EQUAL SPACE  
 PCD Ø48.0



Isometric view (1:2)

- NOTE)
1. Max. Operating Pressure : 150 Kg/Cm<sup>2</sup>
  2. Max. Revolutions per Minute : 120rpm
  3. Operating Temperature Range : 0~70 °C
  4. Fluid : ISO-VG32 or AIR



View A (1:1)

DET.NO	NAME	QTY	MATL	FINAL SIZES & PART No	REMARK
UNLESS OTHERWISE SPECIFIED					
DIMENSIONS ARE IN MM					
ALL SURFACES 6.3S					
TOLERANCES					
ANGLE ±					
X ±					
.X ± 0.15					
.XX ±					
FINISH BLOCK OXIDE					
HEAT TREAT HRC18~22					
SIGNATURES		MO-DA-YR		TITLE	
DRAWN				KJF 케이제이에프(주) TOTAL CLAMPING SYSTEMS	
CHECKED				ROTARY JOINT	
APPROVED				REF DWG NO. ---	
WORK ORDER NO		DWG NO		A3	
		RTC-1114G_-			
SCALE		TOOL		PART	
				SHEET OF	