

FILE NAME:

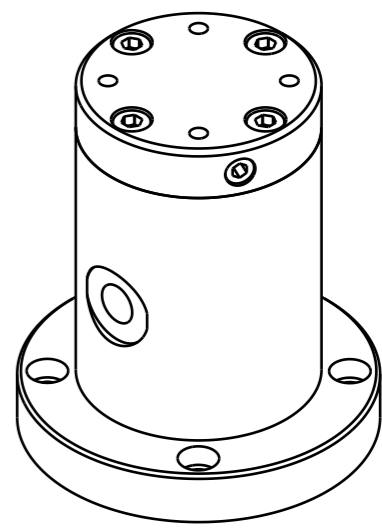
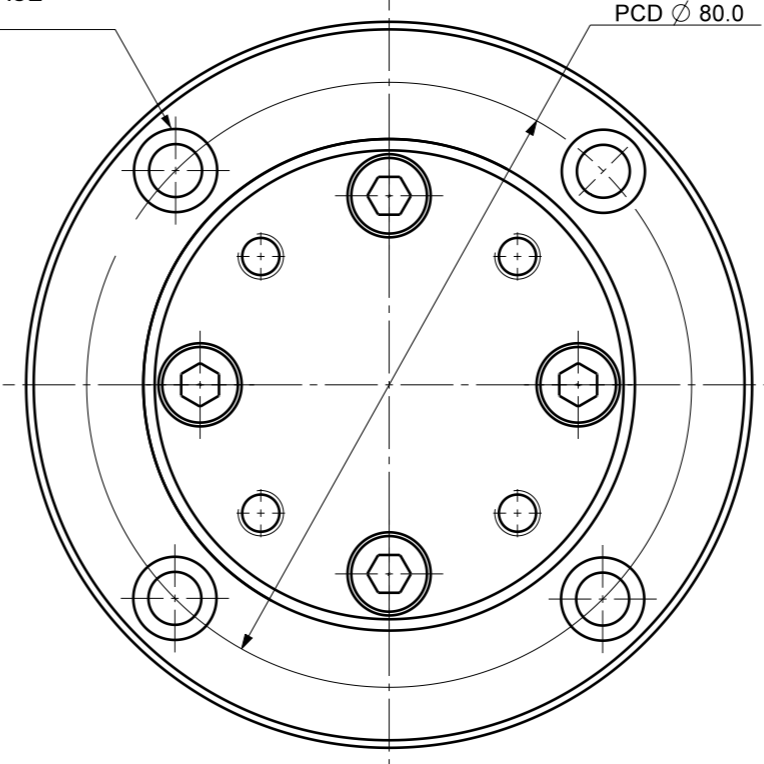
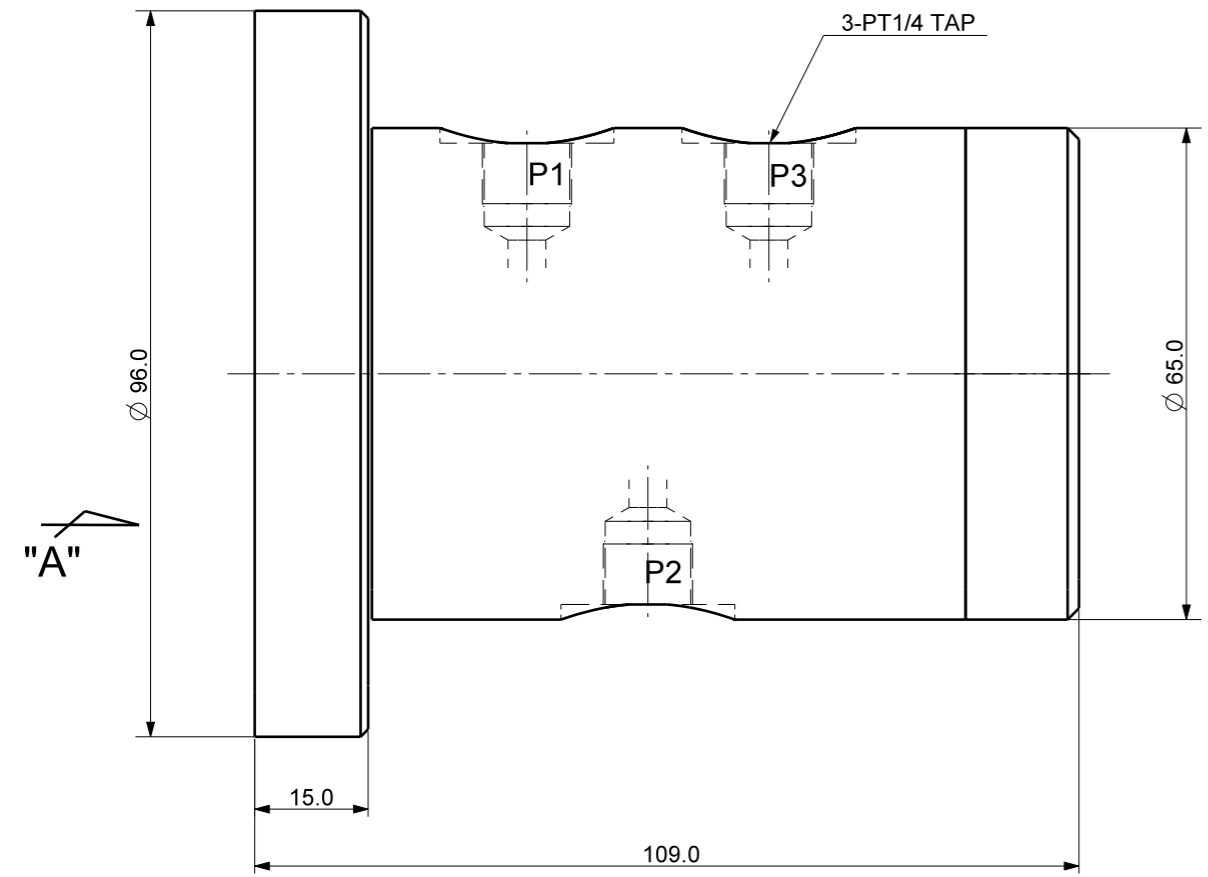
REVISIONS

ZONE	LTR	DESCRIPTION	DATE	APPROVED
------	-----	-------------	------	----------

4-Ø7.0 DR THRU
 Ø11.0 C'B Dp6.0
 EQUAL SPACE
 PCD Ø80.0

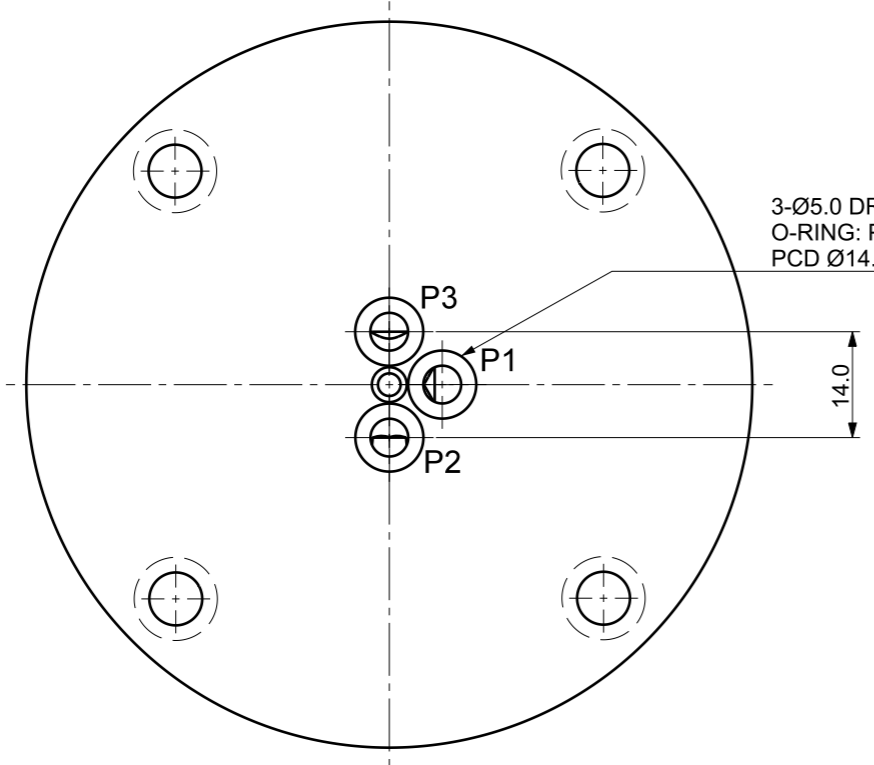
PCD Ø 80.0

3-PT1/4 TAP



Isometric view (1:2)

3-Ø5.0 DR THRU
 O-RING: P6
 PCD Ø14.0



View A (1:1)

DET. NO	NAME	QTY	MAT'L	FINAL SIZES & PART No	REMARK
UNLESS OTHERWISE SPECIFIED		SIGNATURES		MO-DA-YR	
DIMENSIONS ARE IN MM		DRAWN		TITLE	
ALL SURFACES 6.3S		CHECKED		KJF 케이제이에프(주) TOTAL CLAMPING SYSTEMS	
TOLERANCES		APPROVED		ROTARY JOINT	
ANGLE ±				REF DWG NO.	
X ±				DWG NO	
.X ± 0.15				---	
.XX ±				RTC-3030G	
FINISH		WORK ORDER NO		A3	
HEAT TREAT				SCALE / TOOL <input type="checkbox"/> PART <input type="checkbox"/> SHEET OF	