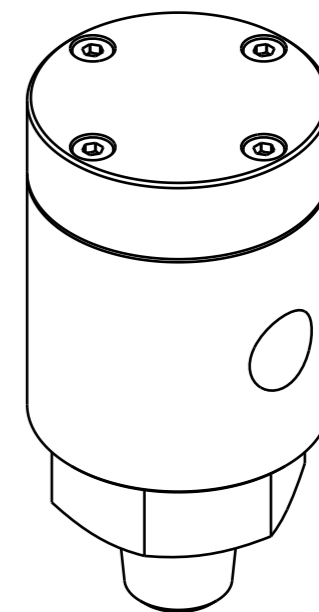
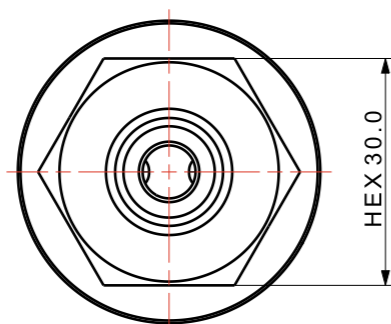
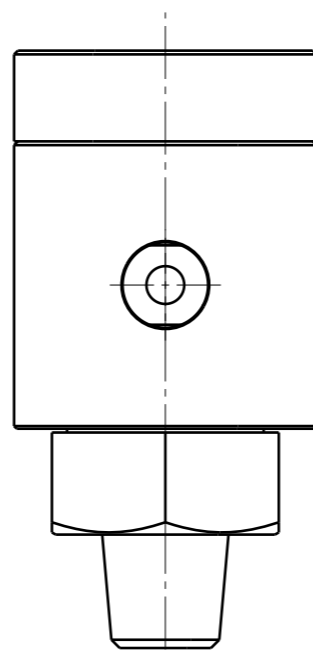
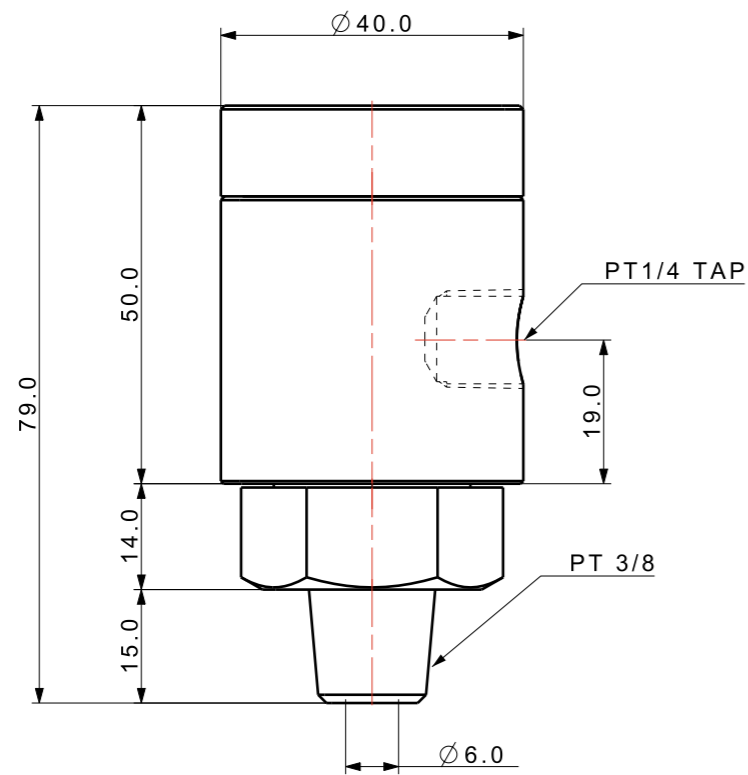
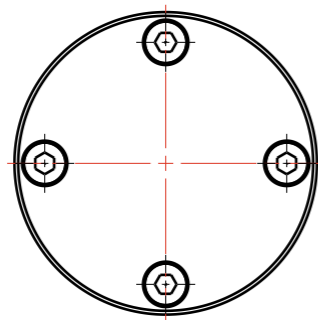

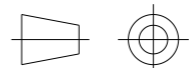


FILE NAME:



Isometric view

UNLESS OTHERWISE SPECIFIED	SIGNATURES	MO-DA-YR	 (주)케이제이에프 TOTAL CLAMPING SYSTEMS	
DIMENSIONS ARE IN MM	DRAWN		TITLE	
ALL SURFACES	CHECKED		ROTARY JOINT	
TOLERANCES	APPROVED			
ANGLE				
X				
.X				
.XX				
FINISH	WORK ORDER NO		REF DWG NO.	DWG NO
---			---	RTC-3814
HEAT TREAT			SCALE	TOOL <input type="checkbox"/> PART <input type="checkbox"/> SHEET OF
---				A3