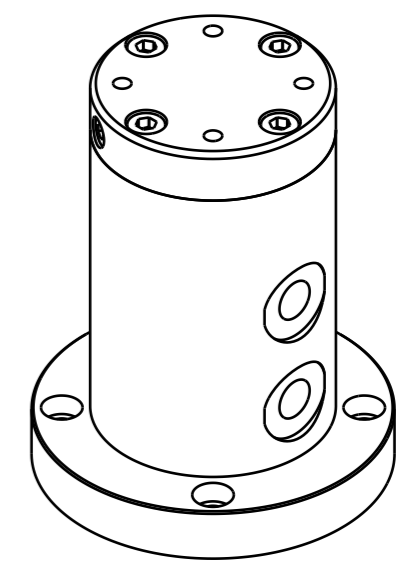
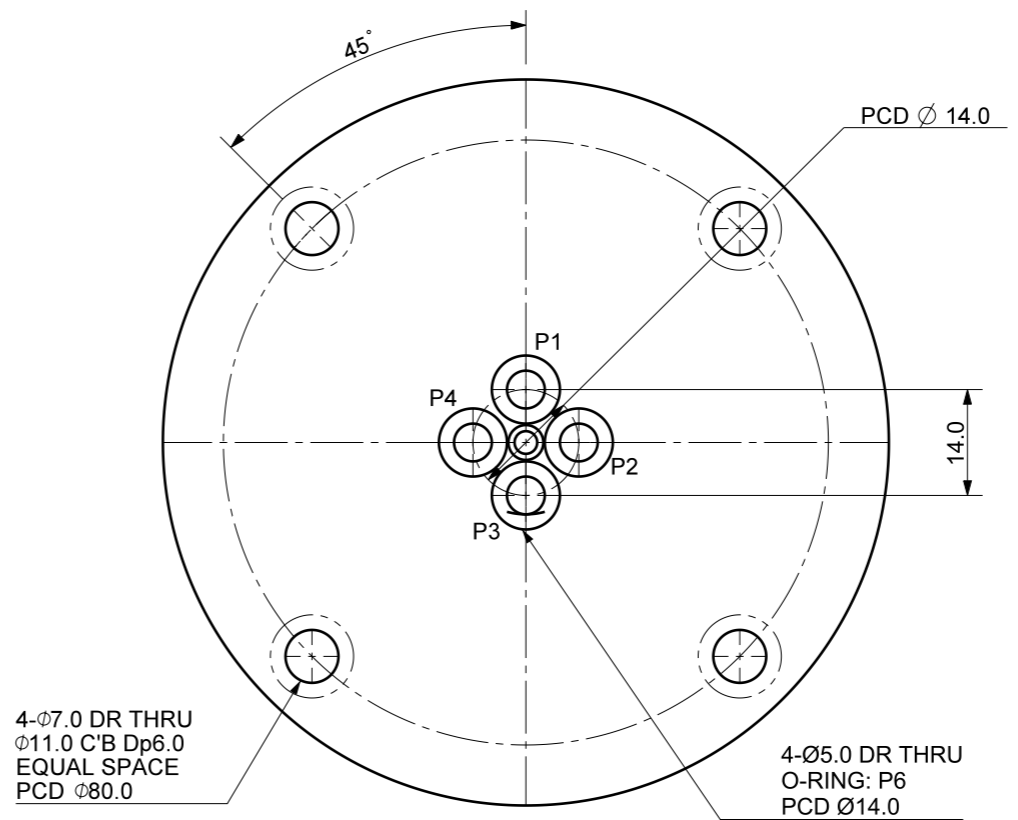
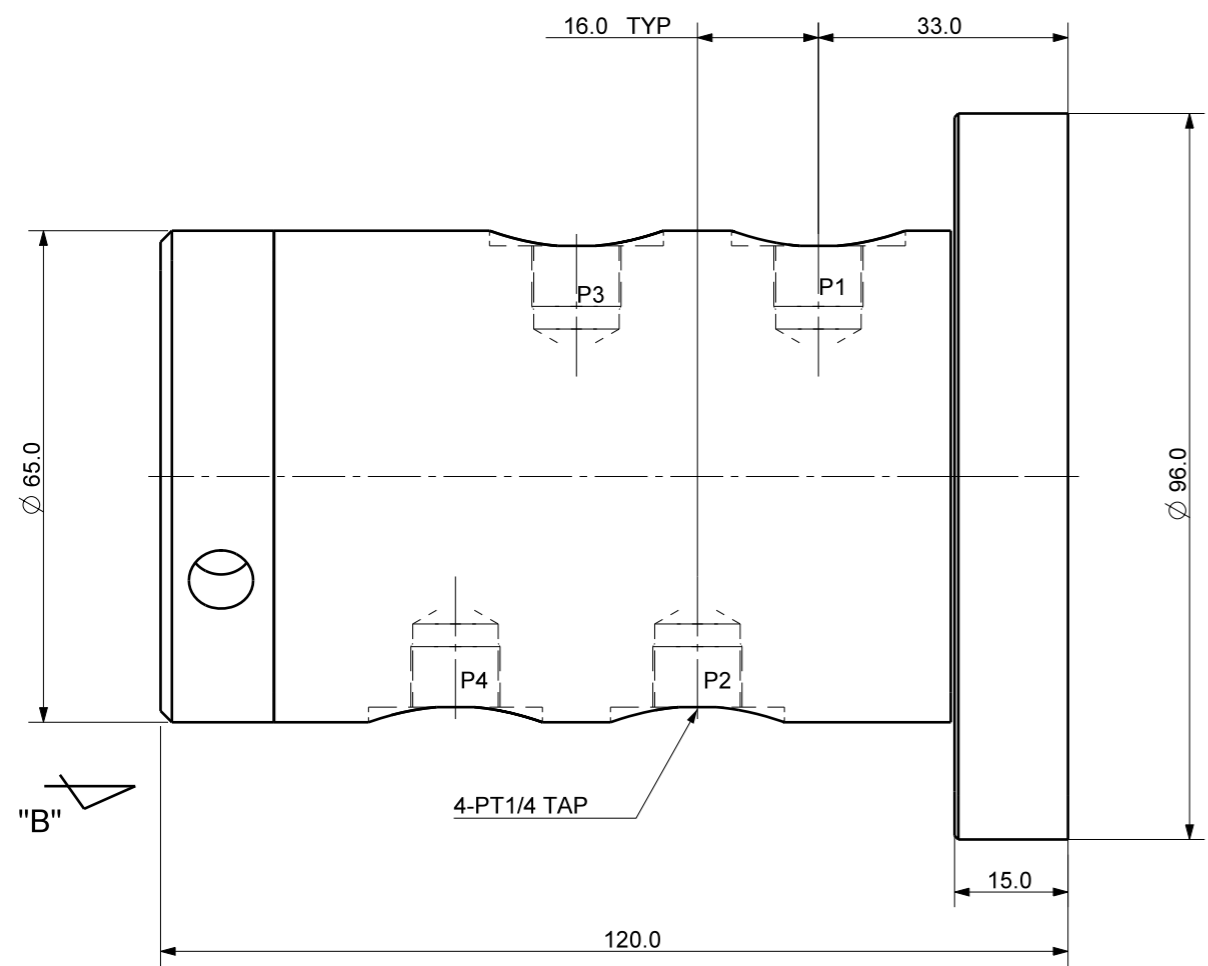
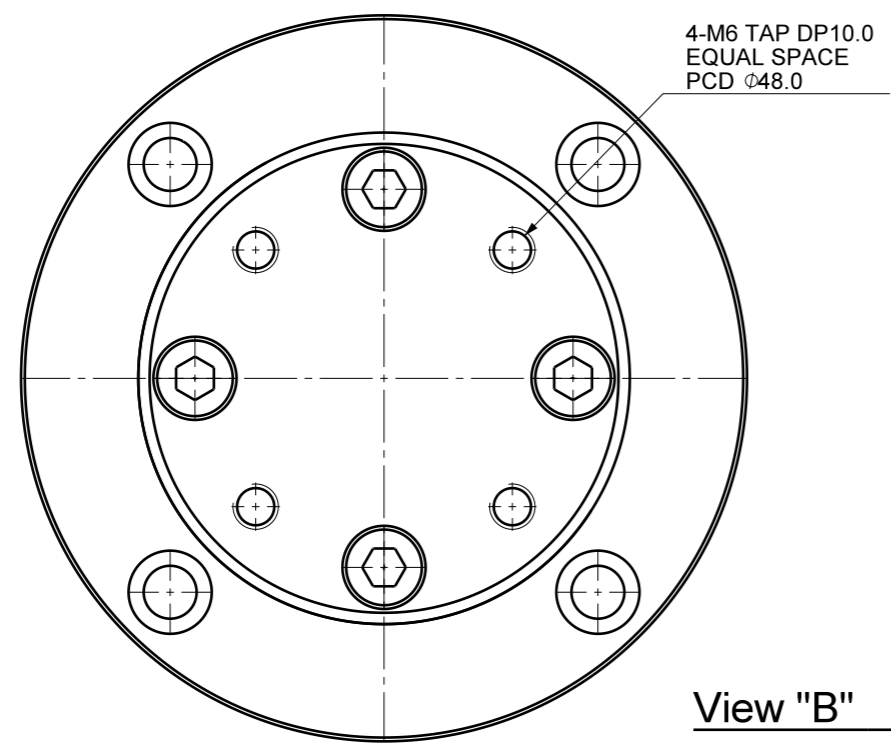


FILE NAME:

REVISIONS				
ZONE	LTR	DESCRIPTION	DATE	APPROVED



Isometric view (1:2)



View "B" (1:1)

DET. NO	NAME	QTY	MAT'L	FINAL SIZES & PART No	REMARK
UNLESS OTHERWISE SPECIFIED		SIGNATURES		MO-DA-YR	
DIMENSIONS ARE IN MM		DRAWN		TITLE	
ALL SURFACES 6.3S		CHECKED		KJF 케이제이에프(주) TOTAL CLAMPING SYSTEMS	
TOLERANCES		APPROVED		ROTARY JOINT	
ANGLE ±				REF DWG NO. ---	
X ± 0.15				DWG NO. RTC-4040G	
.X ±				A3	
.XX ±				SCALE / TOOL <input type="checkbox"/> PART <input type="checkbox"/> SHEET OF	
FINISH		WORK ORDER NO			
HEAT TREAT					