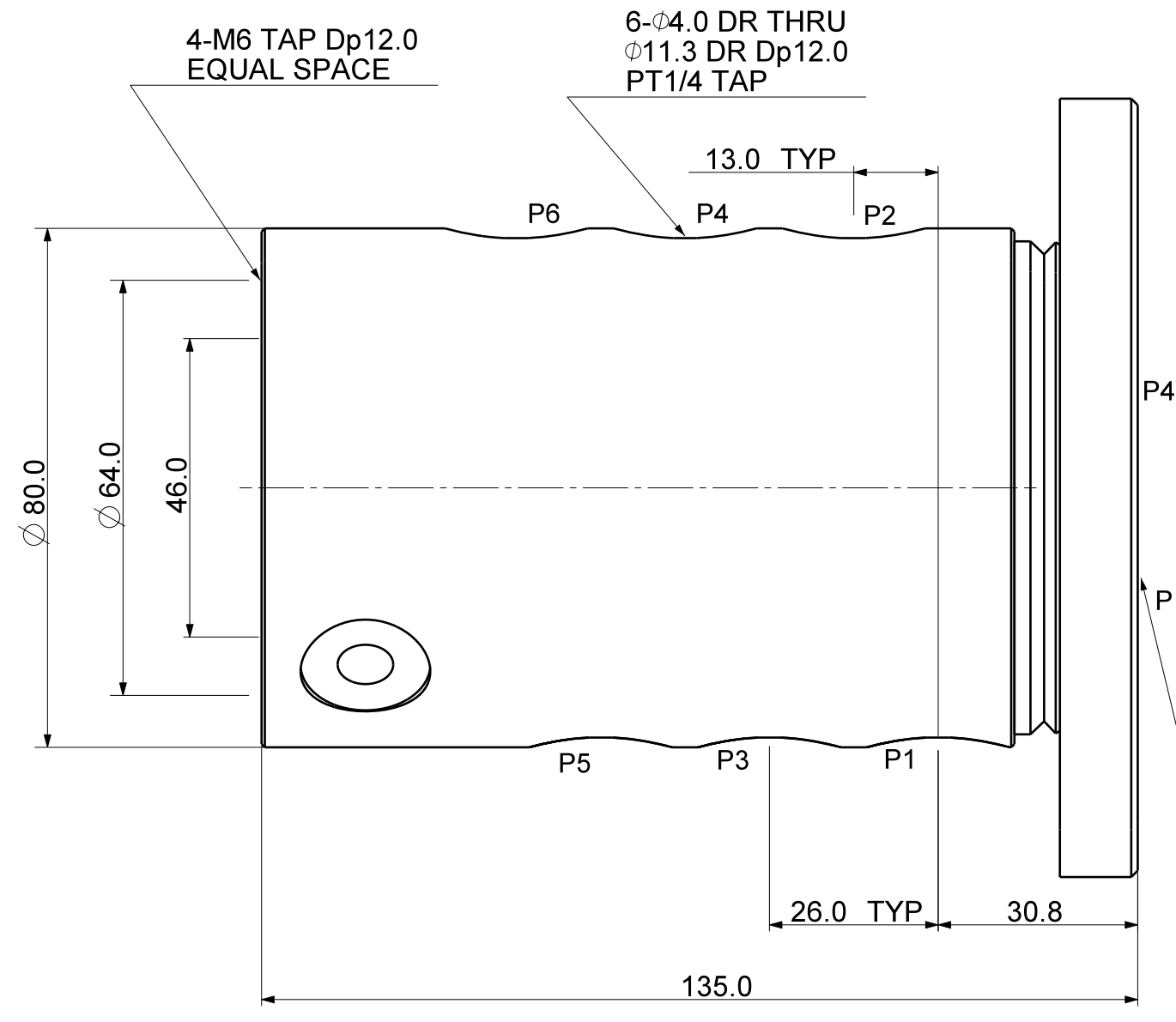
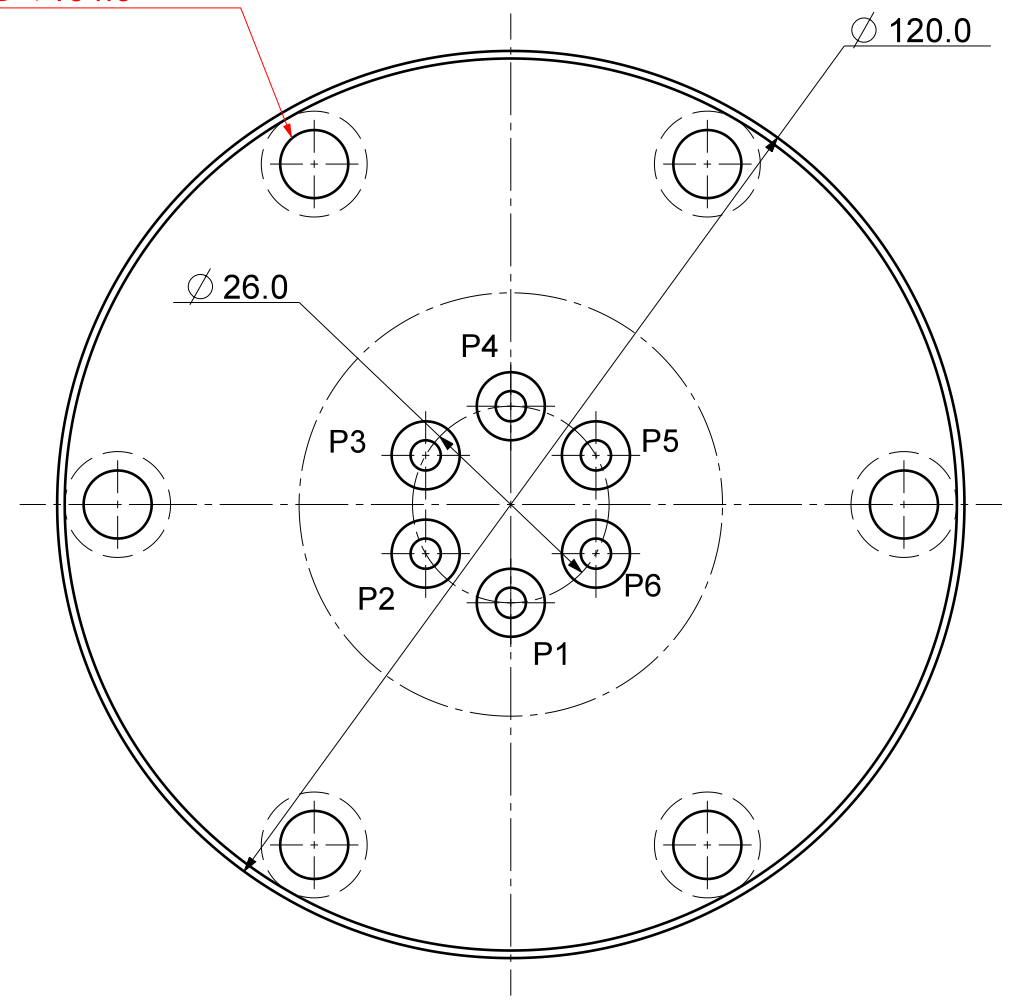


FILE NAME:

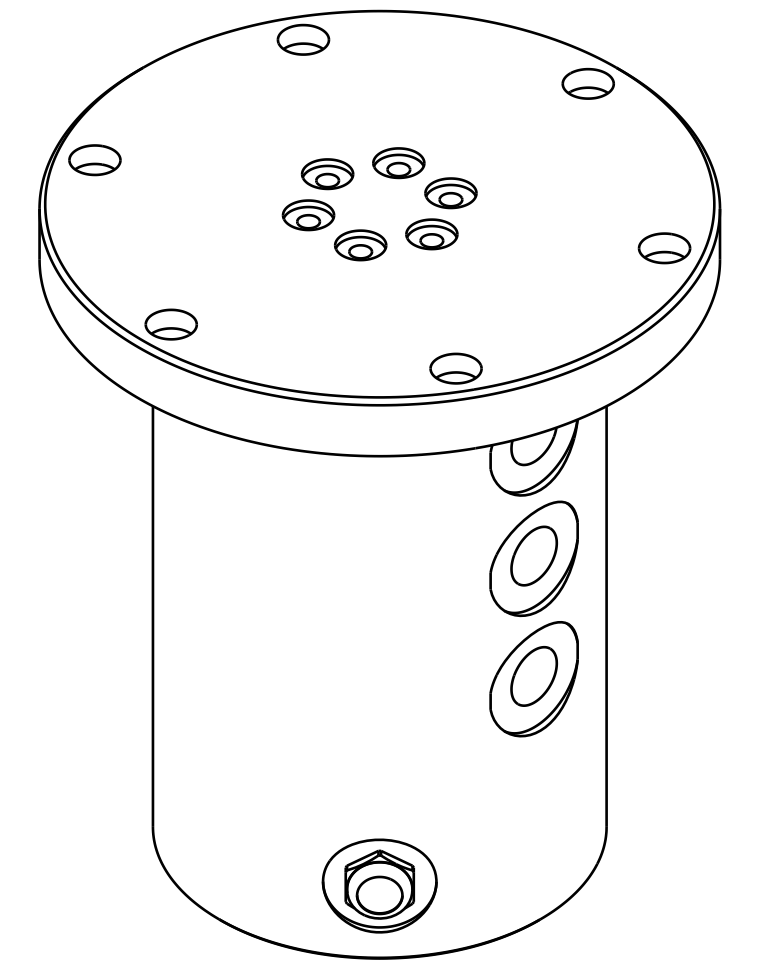
REVISIONS				
ZONE	LTR	DESCRIPTION	DATE	APPROVED



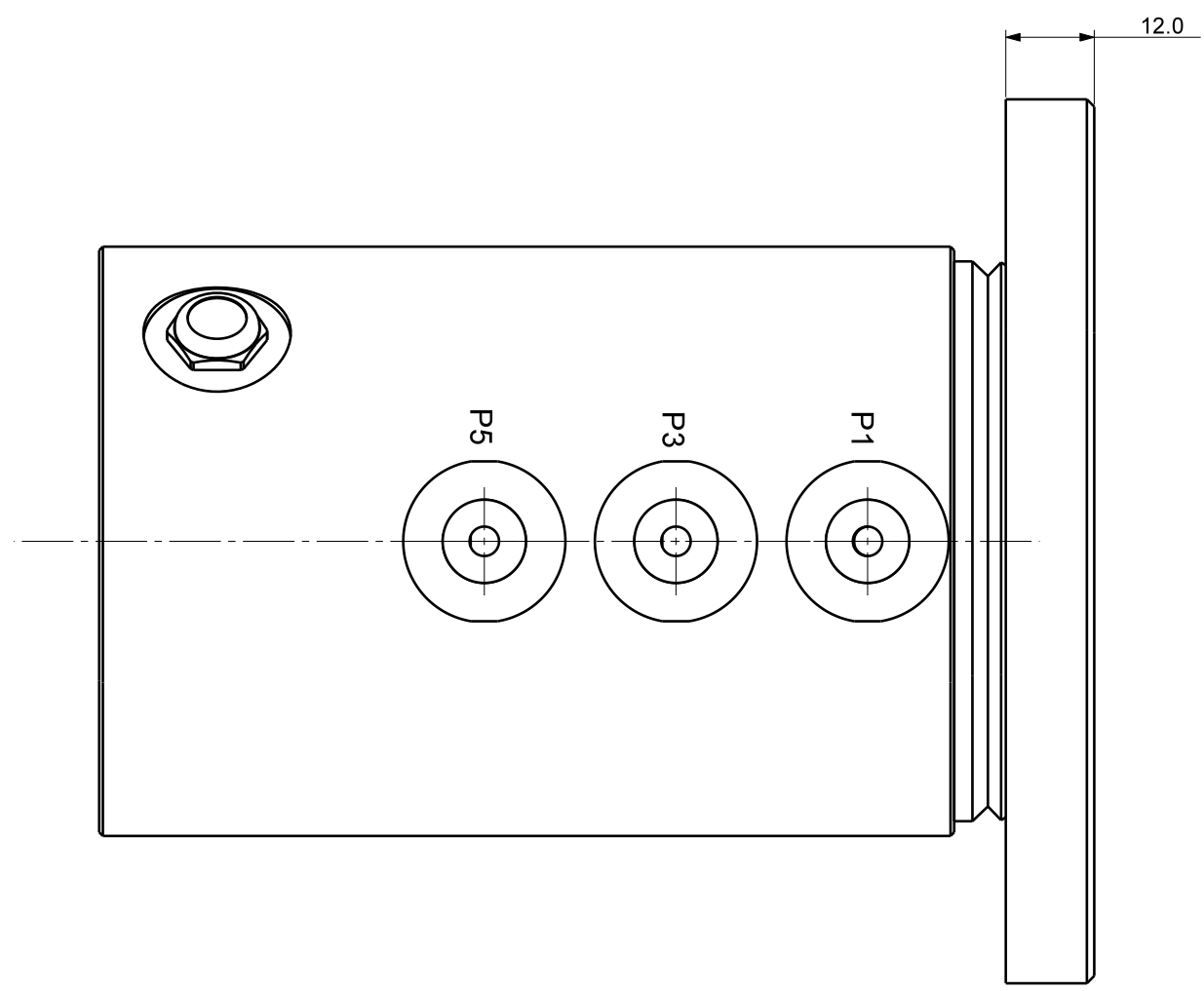
6-Ø9.0 DR THRU
Ø14.0 C'B Dp8.0
EQUAL SPACE
PCD Ø104.0



6-Ø4.0DR Dp
Ø9.0 C'B Dp1.4
P-6-1B O-RING
EQUAL SPACE



Isometric view (3:4)



DET. NO	NAME	Q'TY	MAT'L	FINAL SIZES & PART No	REMARK
UNLESS OTHERWISE SPECIFIED					
DIMENSIONS ARE IN MM					
ALL SURFACES 6.3s					
TOLERANCES					
ANGLE ±					
.X ±					
.XX ± 0.15					
.XX ±					
FINISH					
HEAT TREAT					
SIGNATURES		MO-DA-YR		(주)케이제이에프 TOTAL CLAMPING SYSTEMS	
DRAWN				TITLE	
CHECKED				ROTARY JOINT	
APPROVED					
WORK ORDER NO		REF DWG NO.		DWG NO	
				RTC-6060G	
		SCALE		A2	
		TOOL <input type="checkbox"/>		PART <input type="checkbox"/>	
		SHEET		OF	