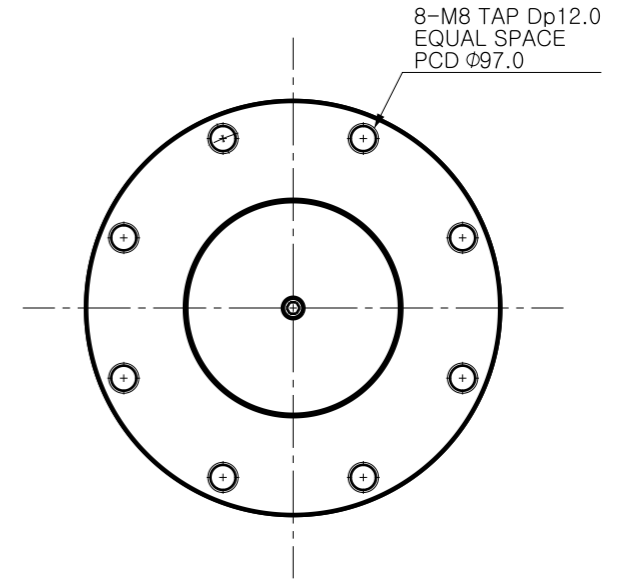
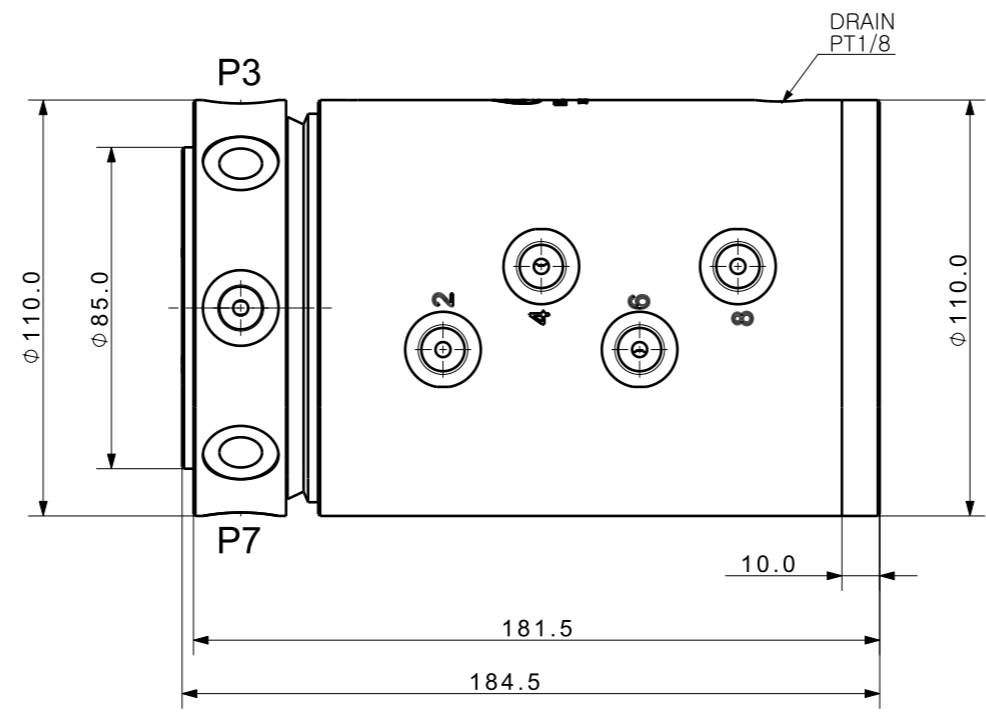
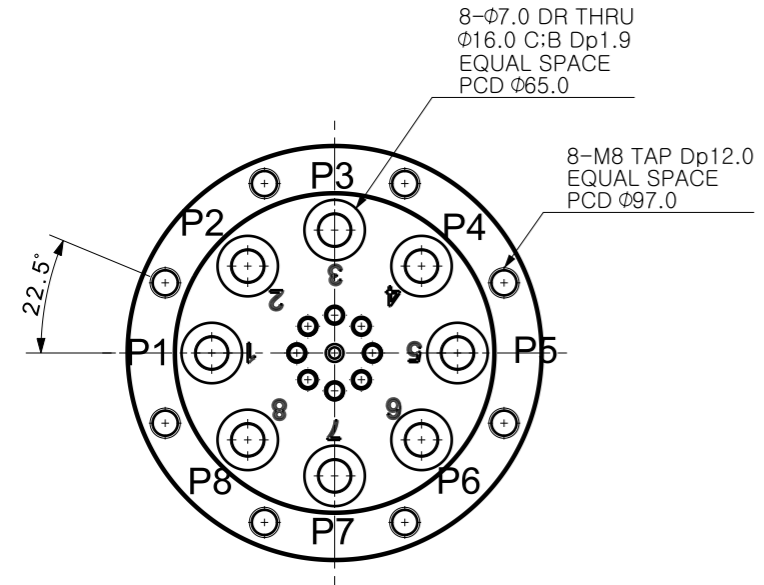
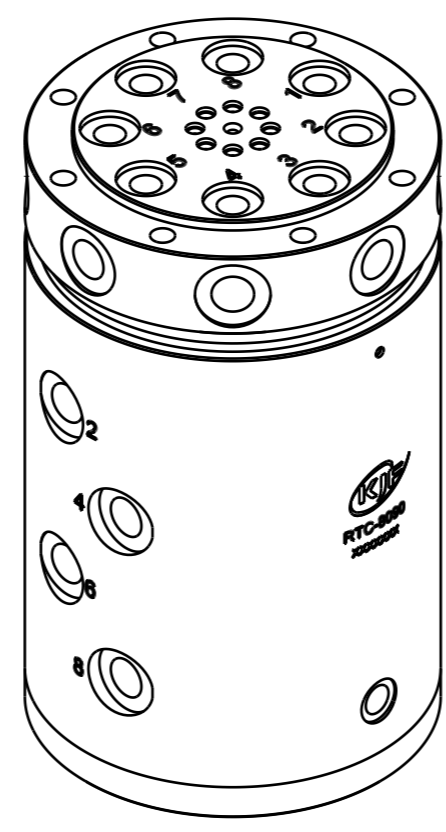
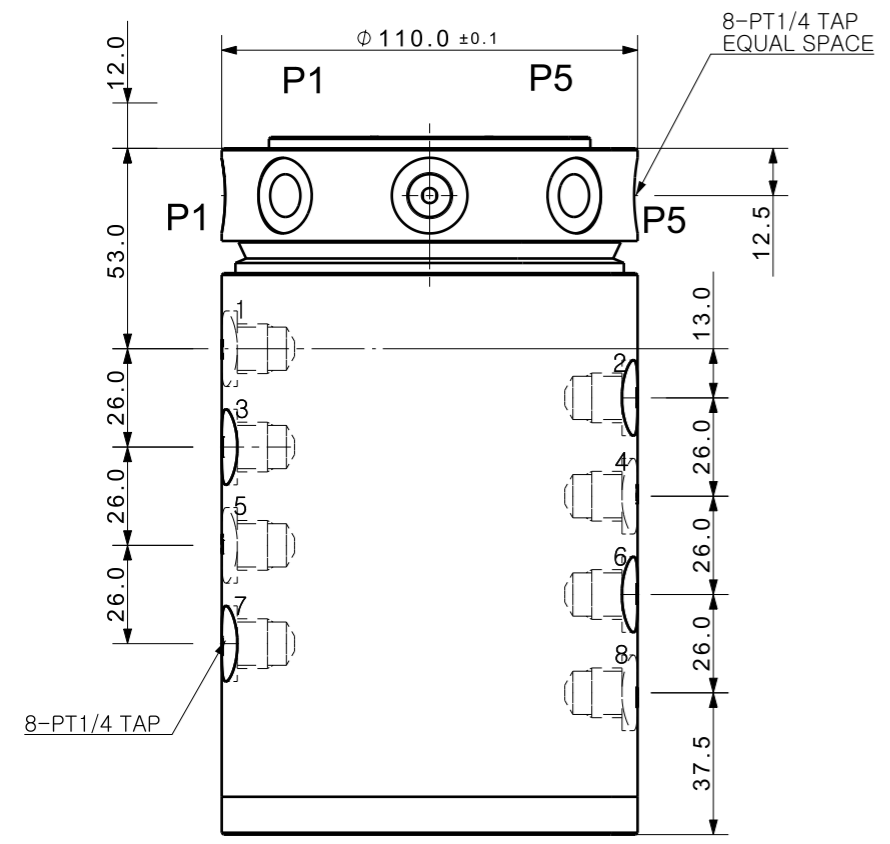


REVISIONS

ZONE	LTR	DESCRIPTION	DATE	APPROVED
------	-----	-------------	------	----------



Section view B-B (1:2)



Isometric view (1:2)

OPERATING DATA	
사용유체	유압유 OR AIR
최고 사용압력	300 Kg/Cm ²
사용온도	-30°C ~ +120°C
최대 사용 속도	1 m/s

DET. NO	NAME	QTY	MATL	FINAL SIZES & PART No	REMARK
UNLESS OTHERWISE SPECIFIED		SIGNATURES		MO-DA-YR	
DIMENSIONS ARE IN MM		DRAWN		TITLE	
ALL SURFACES 6.3S		CHECKED		APPROVED	
TOLERANCES		APPROVED		KJF 케이제이에프(주) TOTAL CLAMPING SYSTEMS	
ANGLE		APPROVED		ROTARY JOINT	
X ±		APPROVED		REF DWG NO.	
.X ± 0.15		APPROVED		DWG NO	
.XX ±		APPROVED		RTC-8090	
FINISH		WORK ORDER NO		SCALE 1/2	
HEAT TREAT		WORK ORDER NO		TOOL <input type="checkbox"/> PART <input type="checkbox"/> SHEET <input type="checkbox"/> OF	

A3