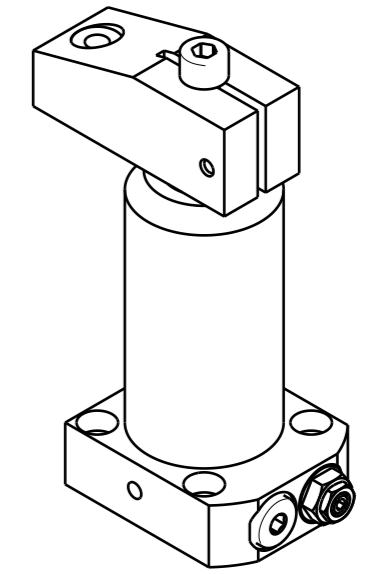
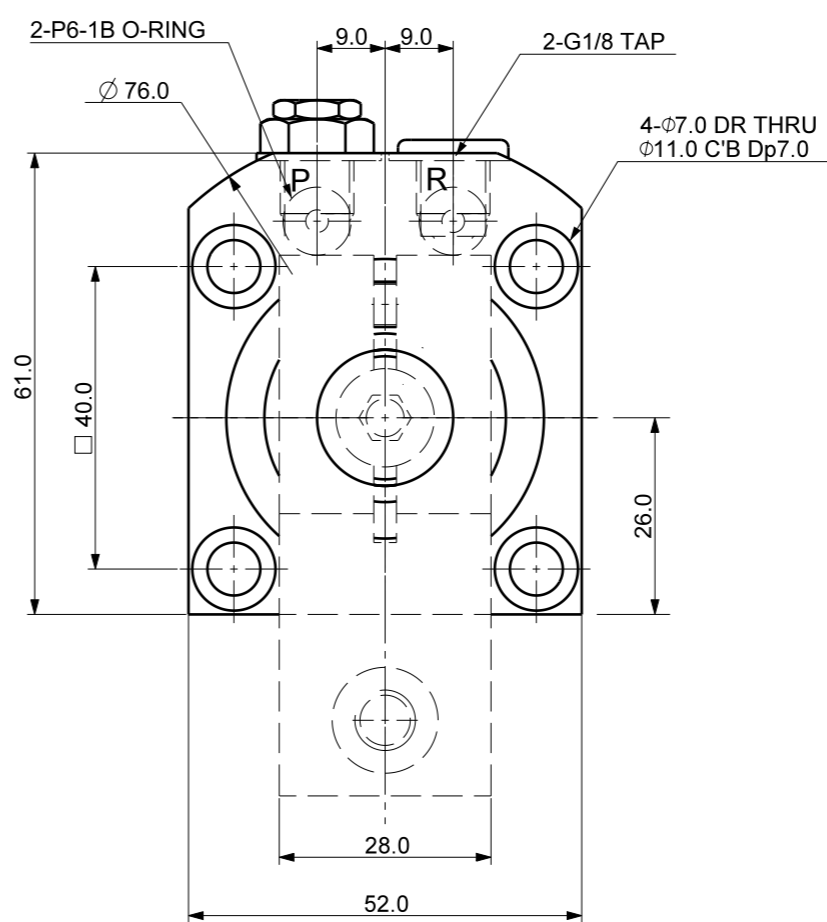
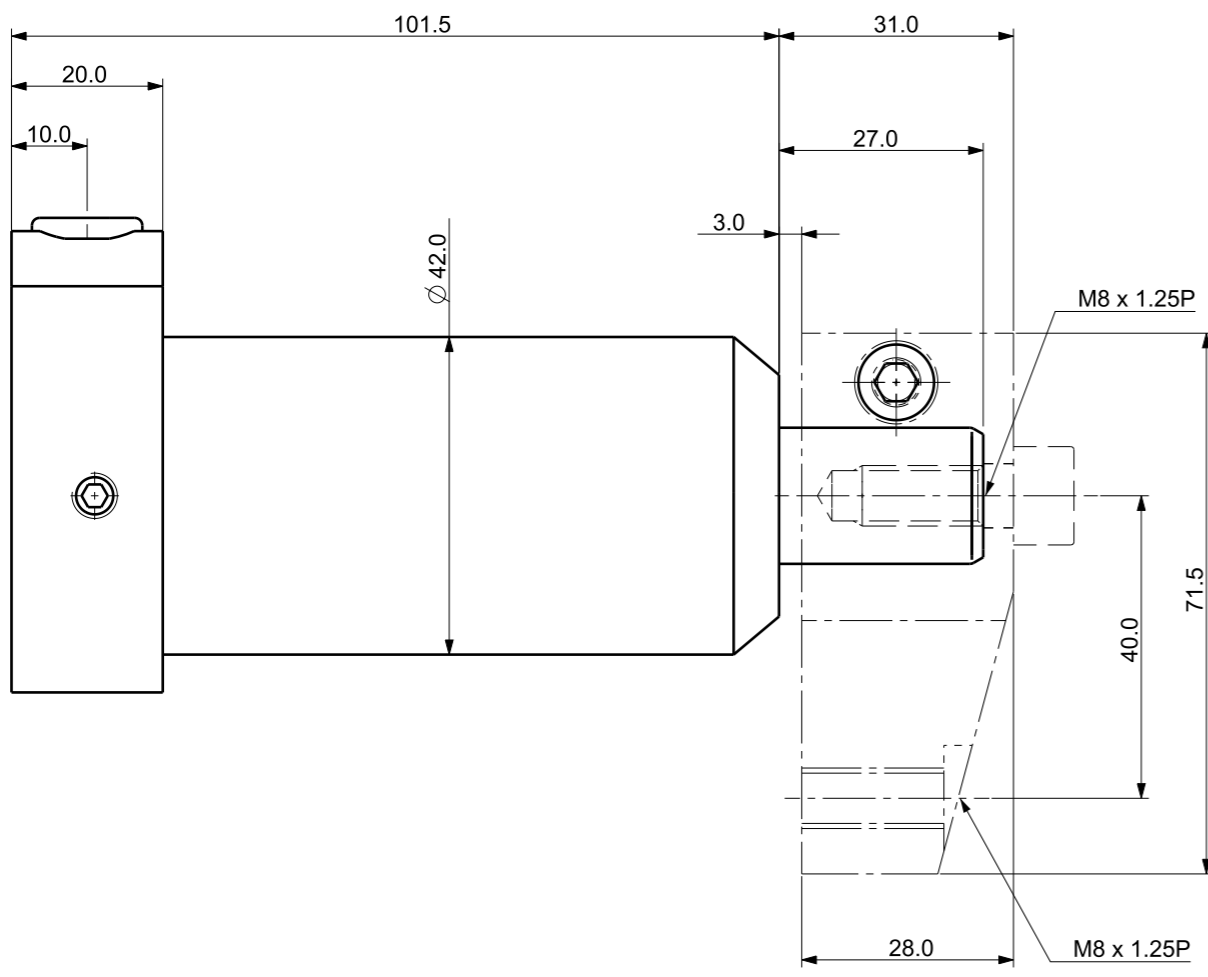
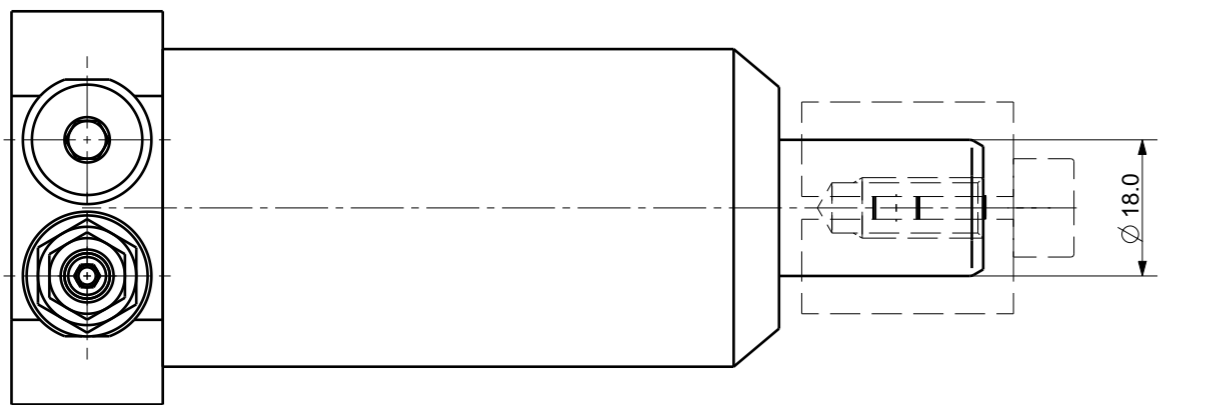


REVISIONS				
ZONE	LTR	DESCRIPTION	DATE	APPROVED



Isometric view (1:2)

DET. NO	NAME	QTY	MAT'L	FINAL SIZES & PART No	REMARK

UNLESS OTHERWISE SPECIFIED DIMENSIONS ARE IN MM ALL SURFACES 6.3S TOLERANCES ANGLE ± .X ± .XX ± 0.15	SIGNATURES	MO-DA-YR	케이제이에프(주) TOTAL CLAMPING SYSTEMS HYD. SWING CLAMP		
	DRAWN				
	CHECKED				
	APPROVED				
FINISH	WORK ORDER NO	REF DWG NO.	DWG NO.	A3	
HEAT TREAT		---	SDx-2522FGV		
		SCALE	TOOL	PART	SHEET OF