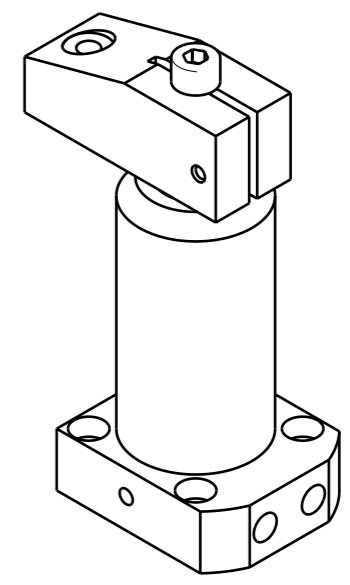
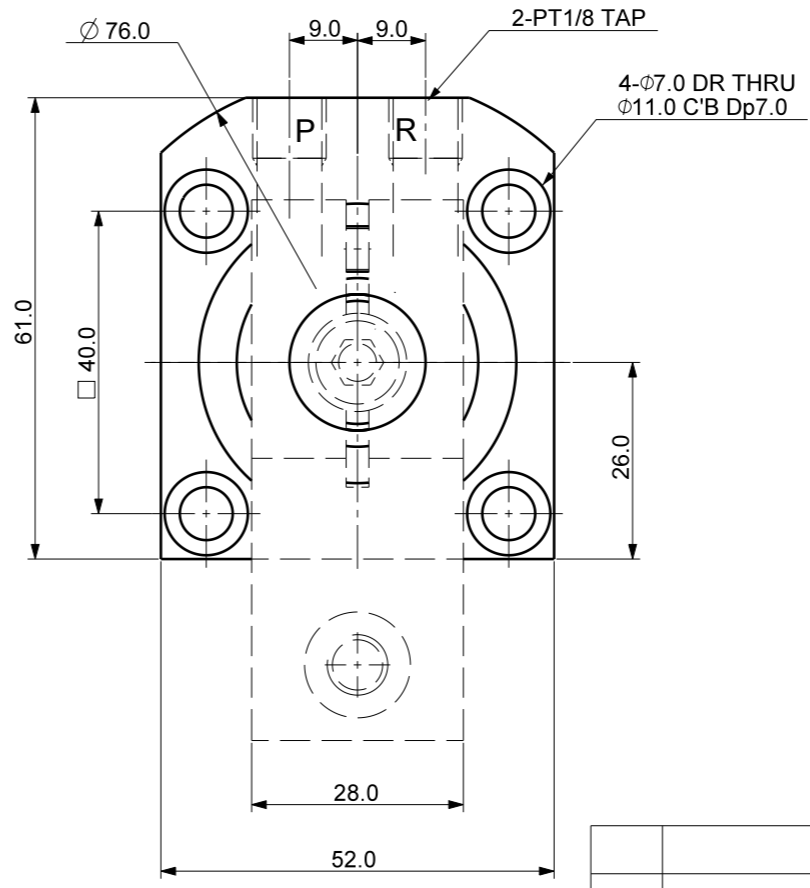
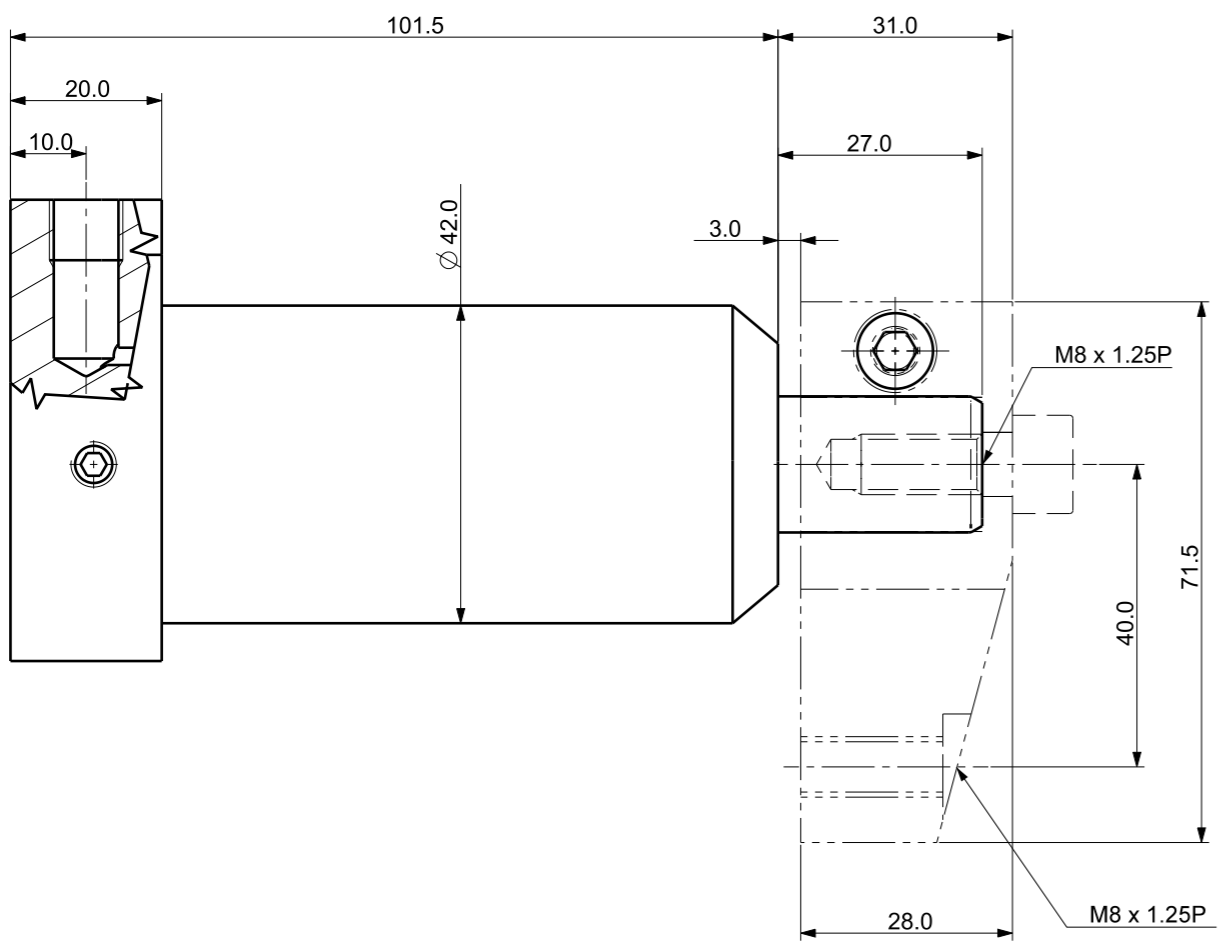
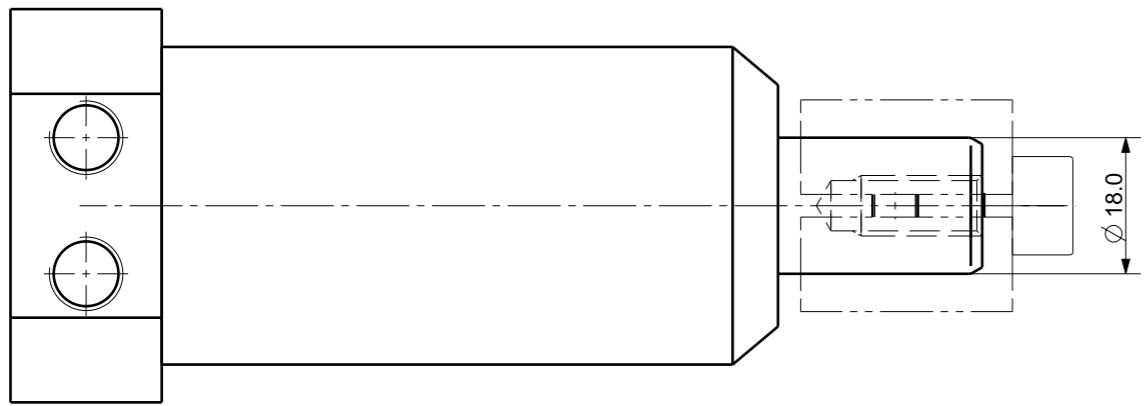


8 7 6 5 4 3 2 1

FILE NAME:

REVISIONS

ZONE	LTR	DESCRIPTION	DATE	APPROVED



Isometric view (1:2)

DET. NO	NAME	QTY	MAT'L	FINAL SIZES & PART No	REMARK

UNLESS OTHERWISE SPECIFIED	SIGNATURES	MO-DA-YR
DIMENSIONS ARE IN MM	DRAWN	
ALL SURFACES 6.3S	CHECKED	
TOLERANCES	APPROVED	
ANGLE ±		
X ±		
.X ± 0.15		
.XX ±		
FINISH	WORK ORDER NO	REF DWG NO.
HEAT TREAT		DWG NO.

케이제이에프(주) TOTAL CLAMPING SYSTEMS	
TITLE HYD. SWING CLAMP	
REF DWG NO.	DWG NO. SDx-2522F
SCALE	TOOL <input type="checkbox"/> PART <input type="checkbox"/> SHEET <input type="checkbox"/> OF
	A3

8 7 6 5 4 3 2 1