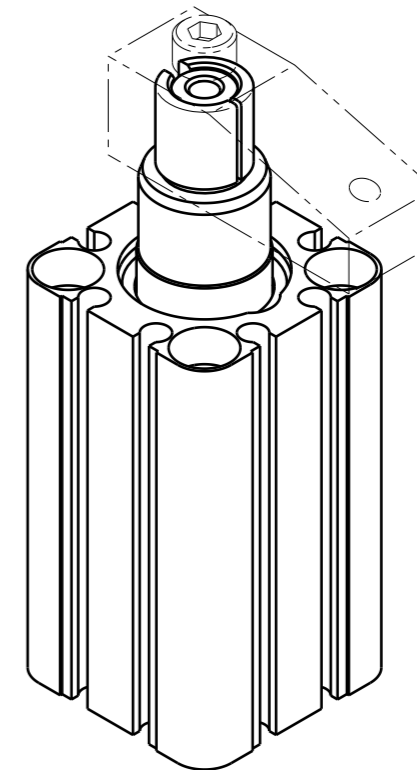
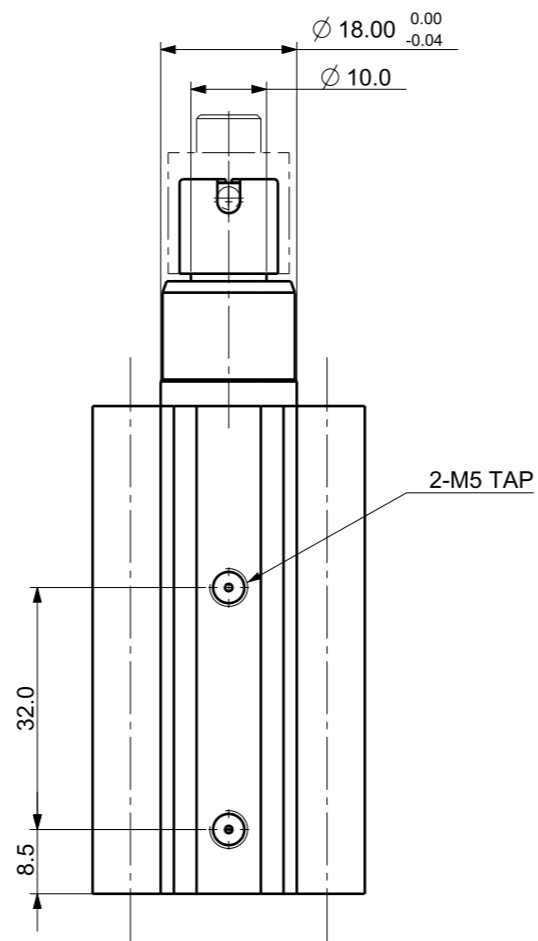
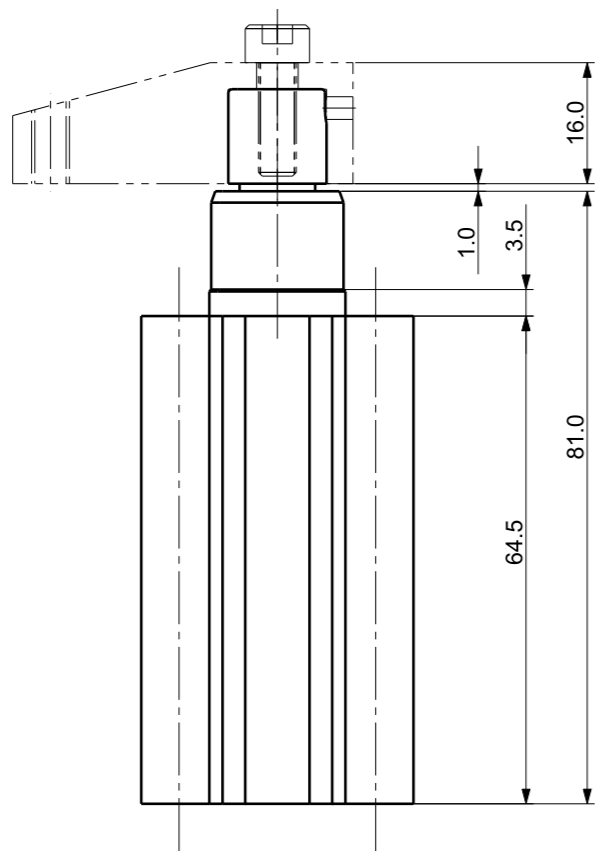
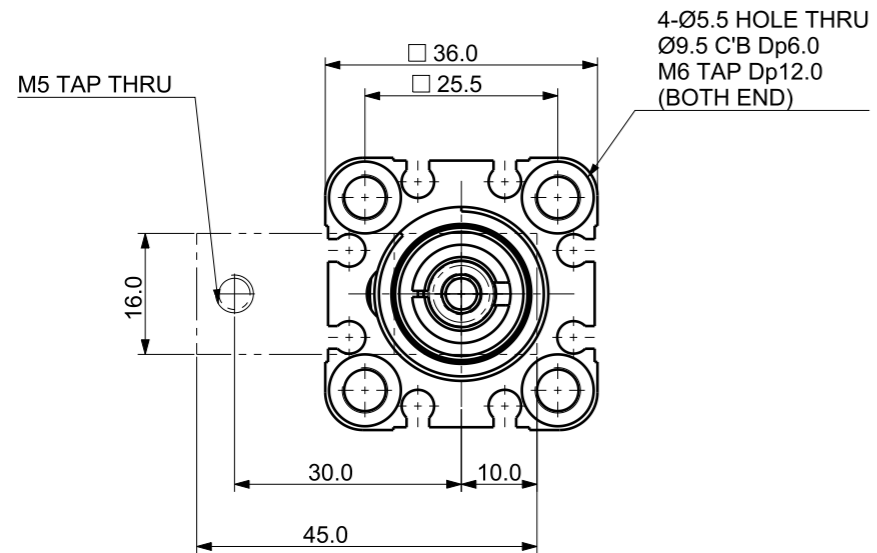


FILE NAME:


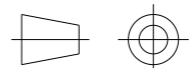
REVISIONS				
ZONE	LTR	DESCRIPTION	DATE	APPROVED



Isometric view (1:1)

NOTE)

- 1. STROKE = 18.0 mm
- SWING = 9.0 mm , CLAMP = 9.0 mm

DET.NO	NAME	QTY	MAT'L	FINAL SIZES	REMARK	
UNLESS OTHERWISE SPECIFIED	SIGNATURES	MO-DA-YR	 케이제이에프(주) TOTAL CLAMPING SYSTEMS			
DIMENSIONS ARE IN MM	DRAWN					
ALL SURFACES 6.3S	CHECKED					
TOLERANCES	APPROVED					
ANGLE			TITLE AIR SWING CLAMP			
.X ±						
.X ± 0.15						
.XX ±						
FINISH	WORK ORDER NO	REF DWG NO.	DWG NO.	SDx-2018AE_- A3		
HEAT TREAT						
		SCALE	TOOL	PART	SHEET	OF