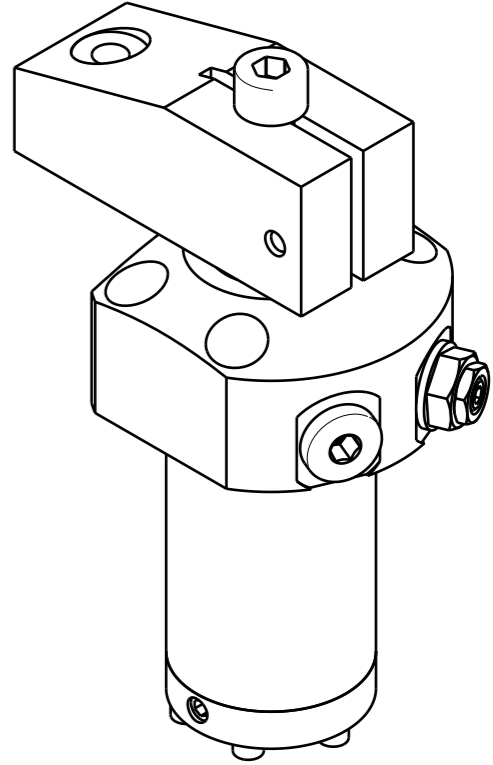
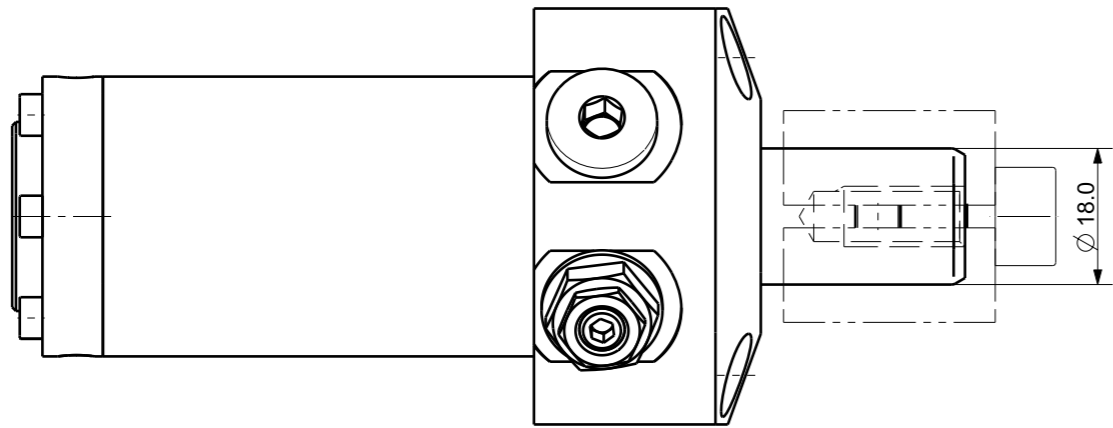
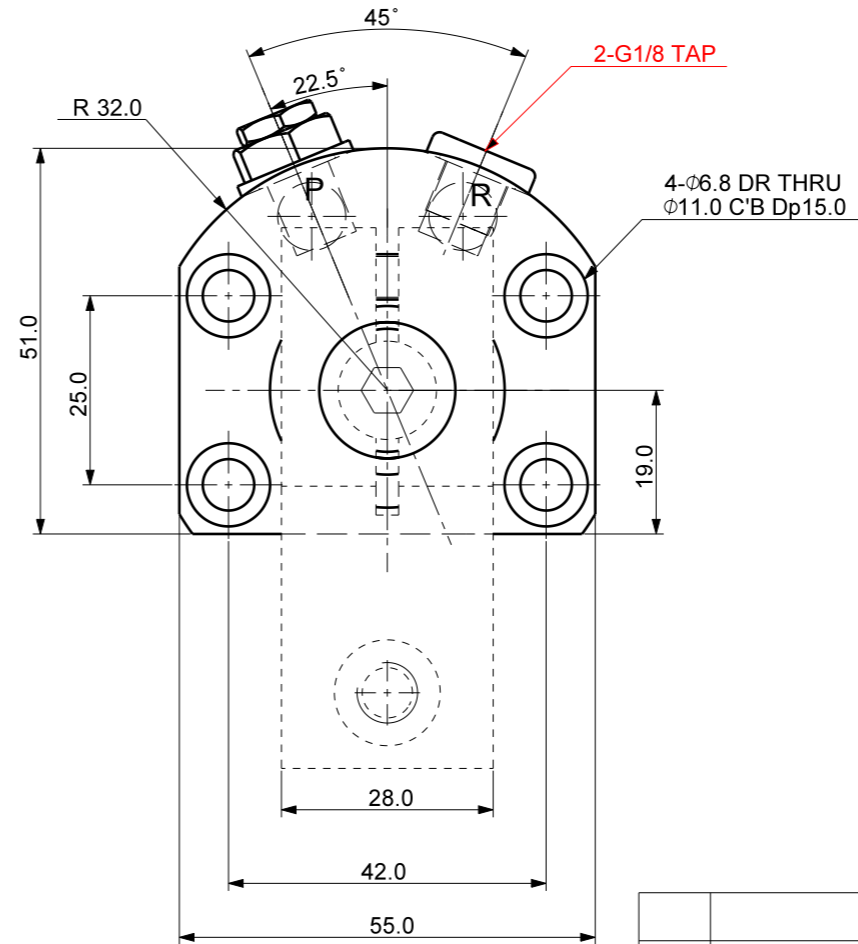
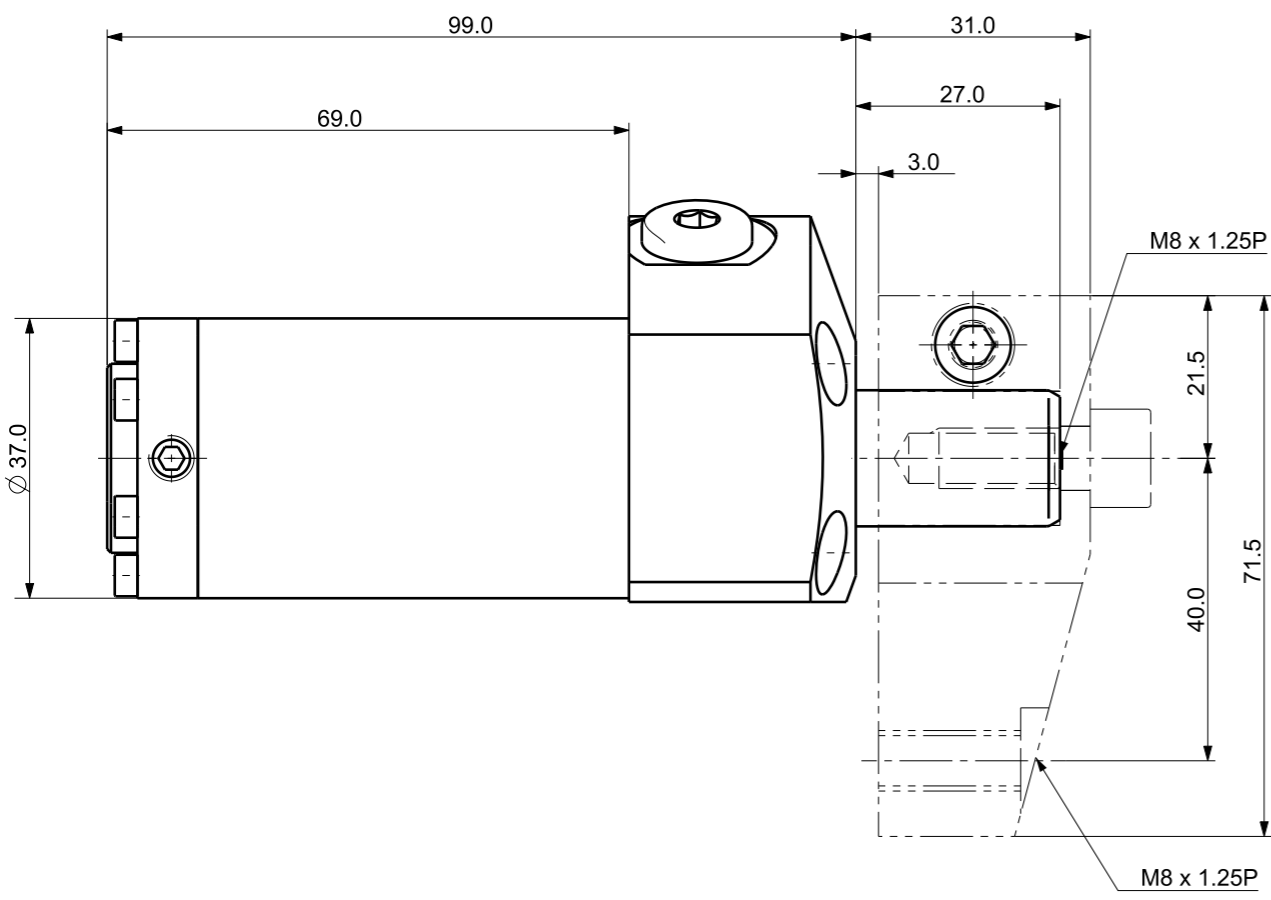


REVISIONS				
ZONE	LTR	DESCRIPTION	DATE	APPROVED



Isometric view (3:4)



DET. NO	NAME	QTY	MAT'L	FINAL SIZES & PART No	REMARK

UNLESS OTHERWISE SPECIFIED
 DIMENSIONS ARE IN MM
 ALL SURFACES 6.3S
 TOLERANCES
 ANGLE ±
 .X ±
 .XX ± 0.15
 ±

SIGNATURES
 DRAWN
 CHECKED
 APPROVED

MO-DA-YR
 TITLE
KJF 케이제이에프(주)
 TOTAL CLAMPING SYSTEMS

SWING CLAMP

WORK ORDER NO
 REF DWG NO. ---
 DWG NO. SDx-2522GV
 SCALE / TOOL PART SHEET OF A3