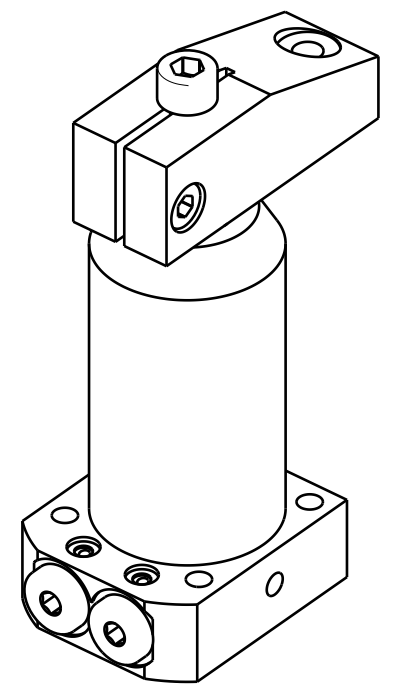
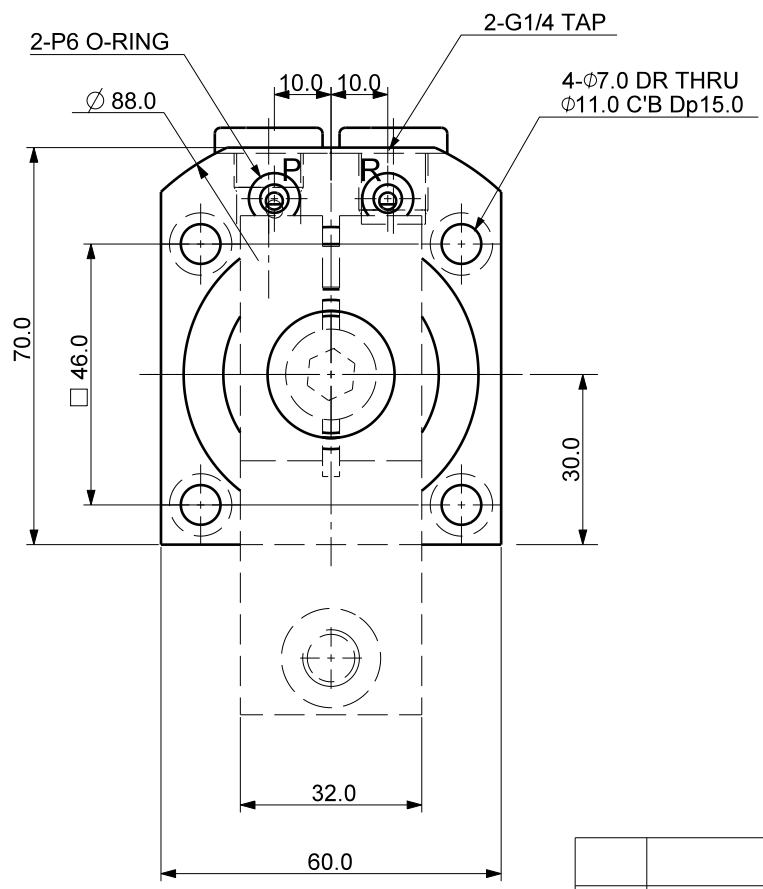
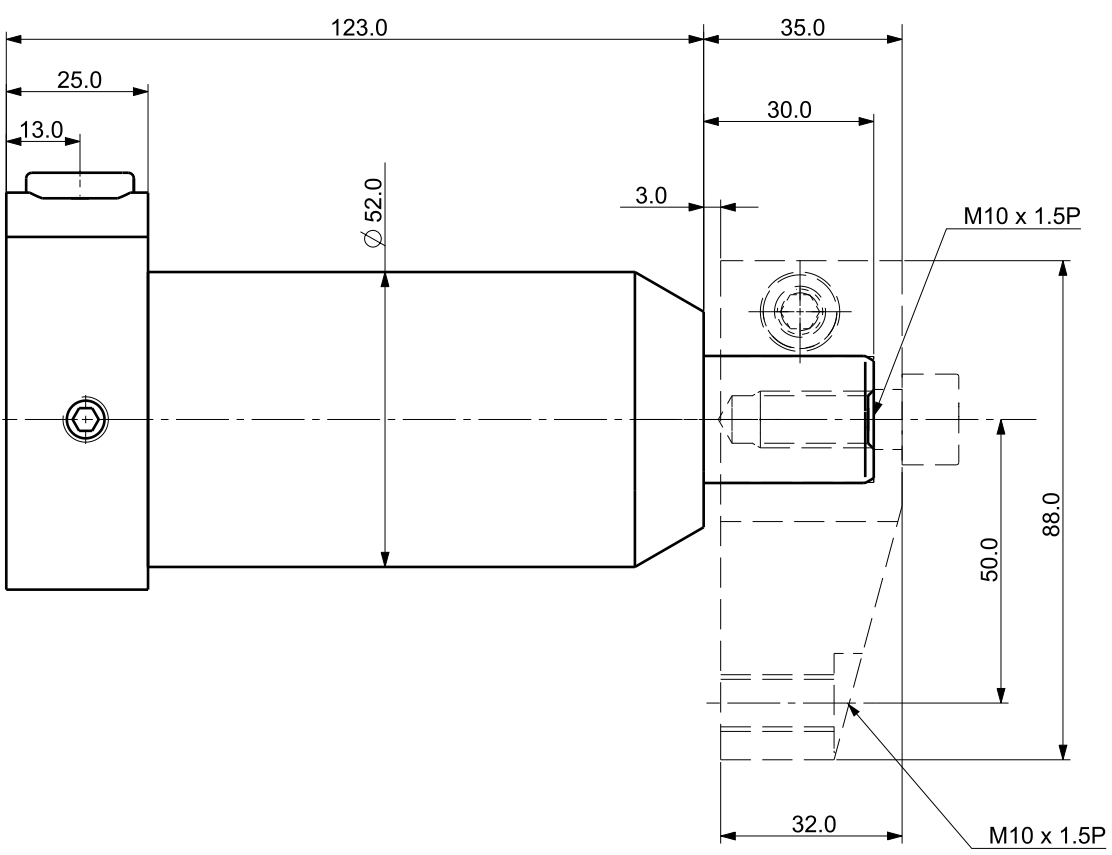
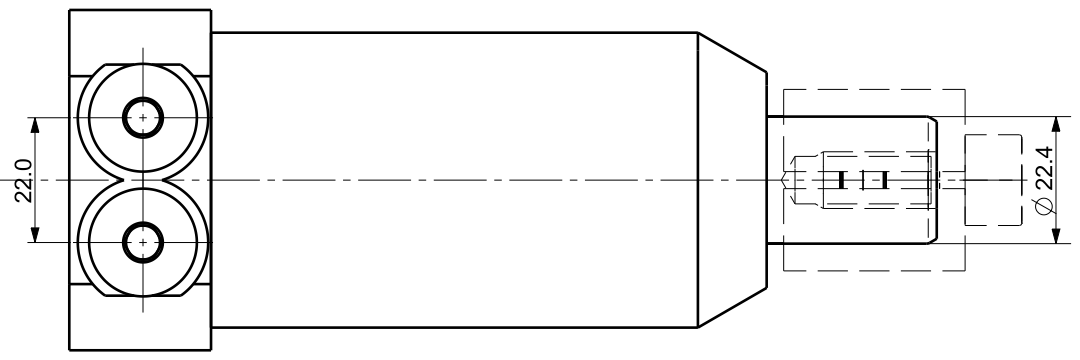


FILE NAME:

REVISIONS				
ZONE	LTR	DESCRIPTION	DATE	APPROVED



Isometric view (1:2)

DET. NO	NAME	QTY	MAT'L	FINAL SIZES & PART No	REMARK

UNLESS OTHERWISE SPECIFIED	
DIMENSIONS ARE IN MM	
ALL SURFACES	6.3S
TOLERANCES	
ANGLE	±
.X	± 0.15
.XX	±
FINISH	
HEAT TREAT	

SIGNATURES	MO-DA-YR
DRAWN	
CHECKED	
APPROVED	


**케이제이에프(주)**  
 TOTAL CLAMPING SYSTEMS

HYD. SWING CLAMP

WORK ORDER NO	REF DWG NO.	DWG NO	A3		
		SDx-3030FGT			
SCALE		TOOL	PART	SHEET	OF