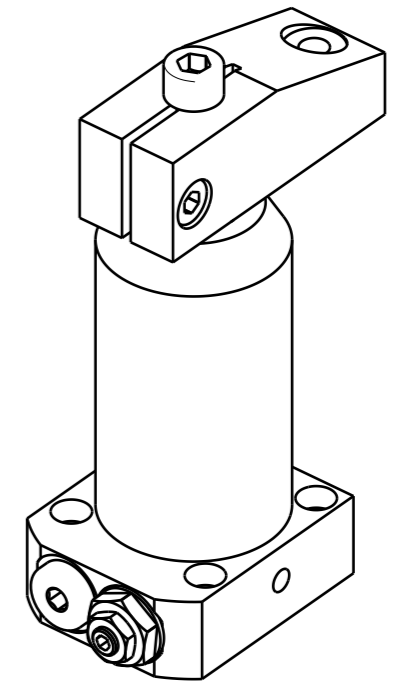
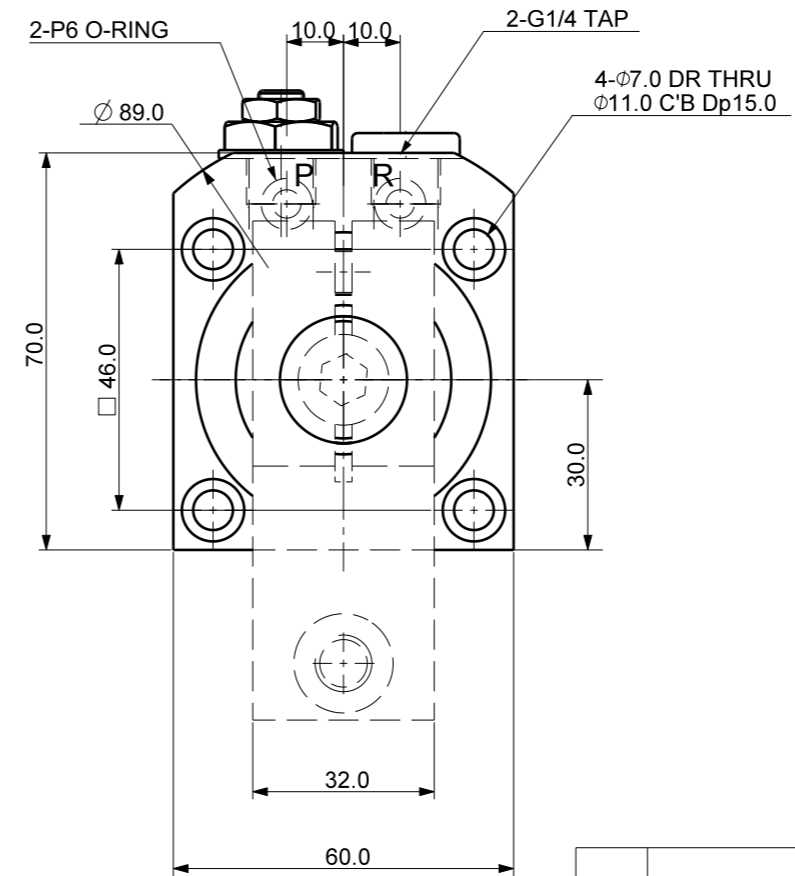
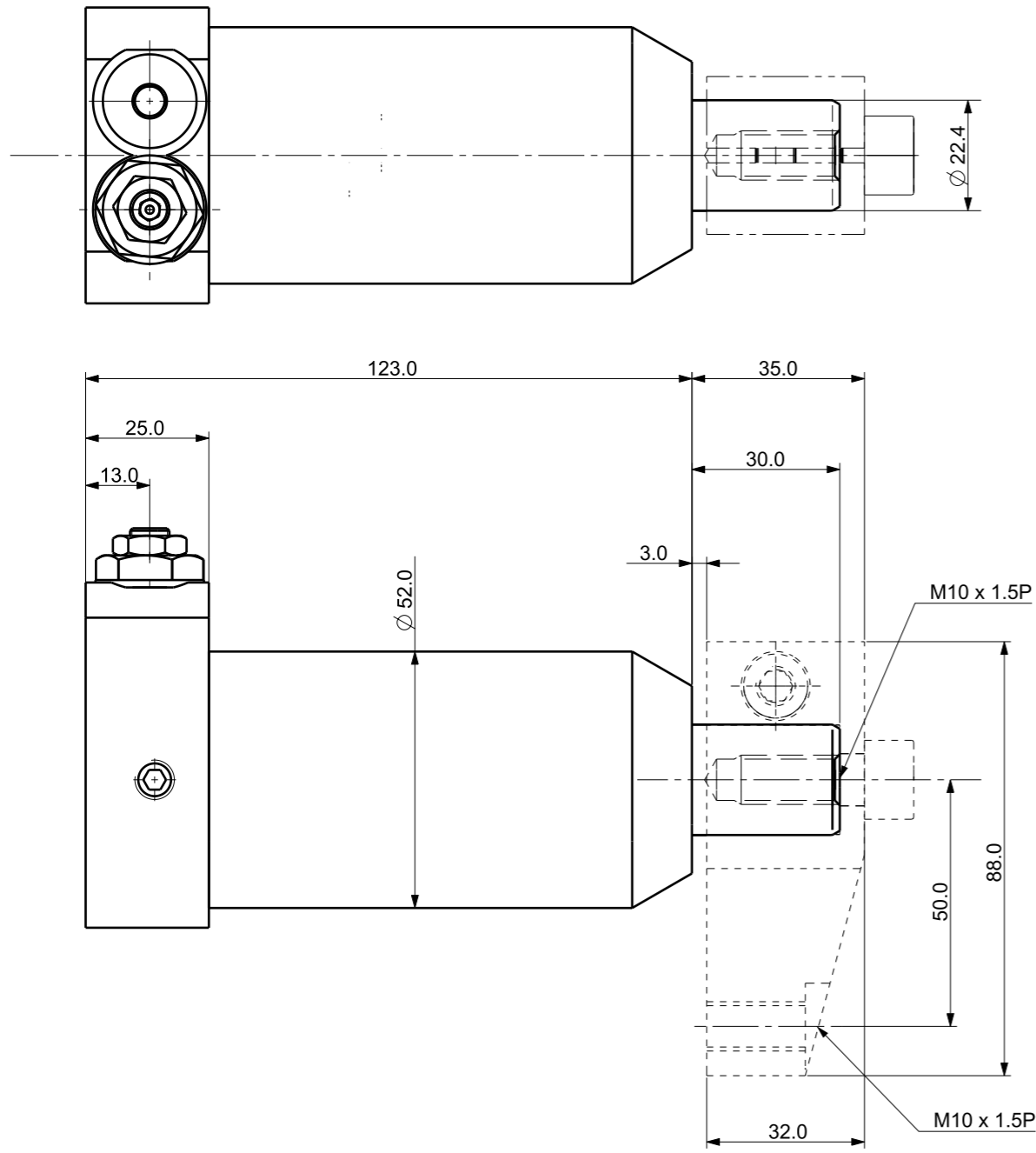


FILE NAME:


REVISIONS				
ZONE	LTR	DESCRIPTION	DATE	APPROVED



Isometric view (1:2)

DET. NO	NAME	QTY	MAT'L	FINAL SIZES & PART No	REMARK

UNLESS OTHERWISE SPECIFIED	SIGNATURES	MO-DA-YR
DIMENSIONS ARE IN MM	DRAWN	
ALL SURFACES 6.3S	CHECKED	
TOLERANCES	APPROVED	
ANGLE ±		
X ±		
.X ± 0.15		
.XX ±		
FINISH	WORK ORDER NO	
HEAT TREAT		


케이제이에프(주)
 TOTAL CLAMPING SYSTEMS

TITLE

HYD. SWING CLAMP

REF DWG NO. DWG NO. **SDx-3030FGV** A3

SCALE / TOOL PART SHEET OF