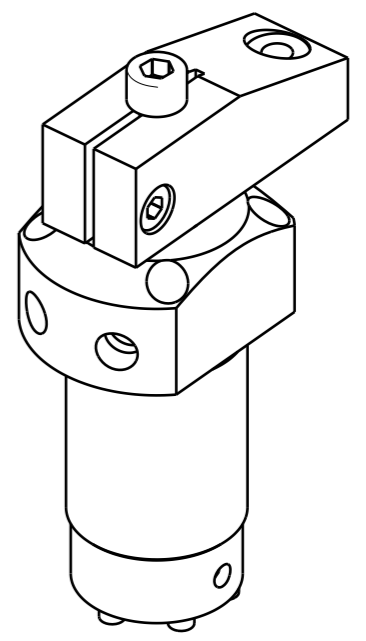
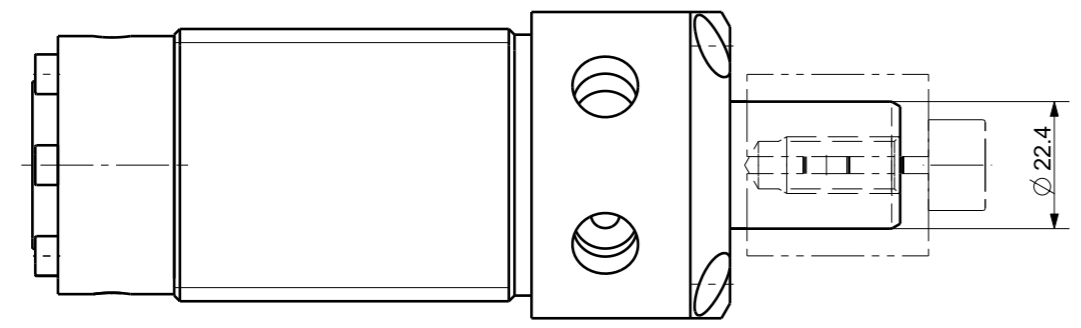


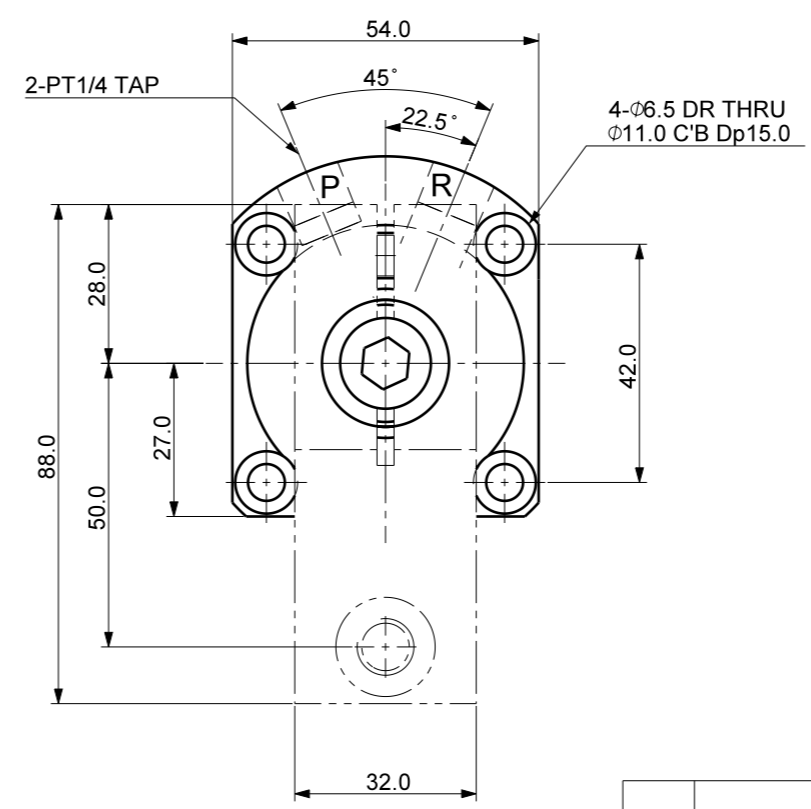
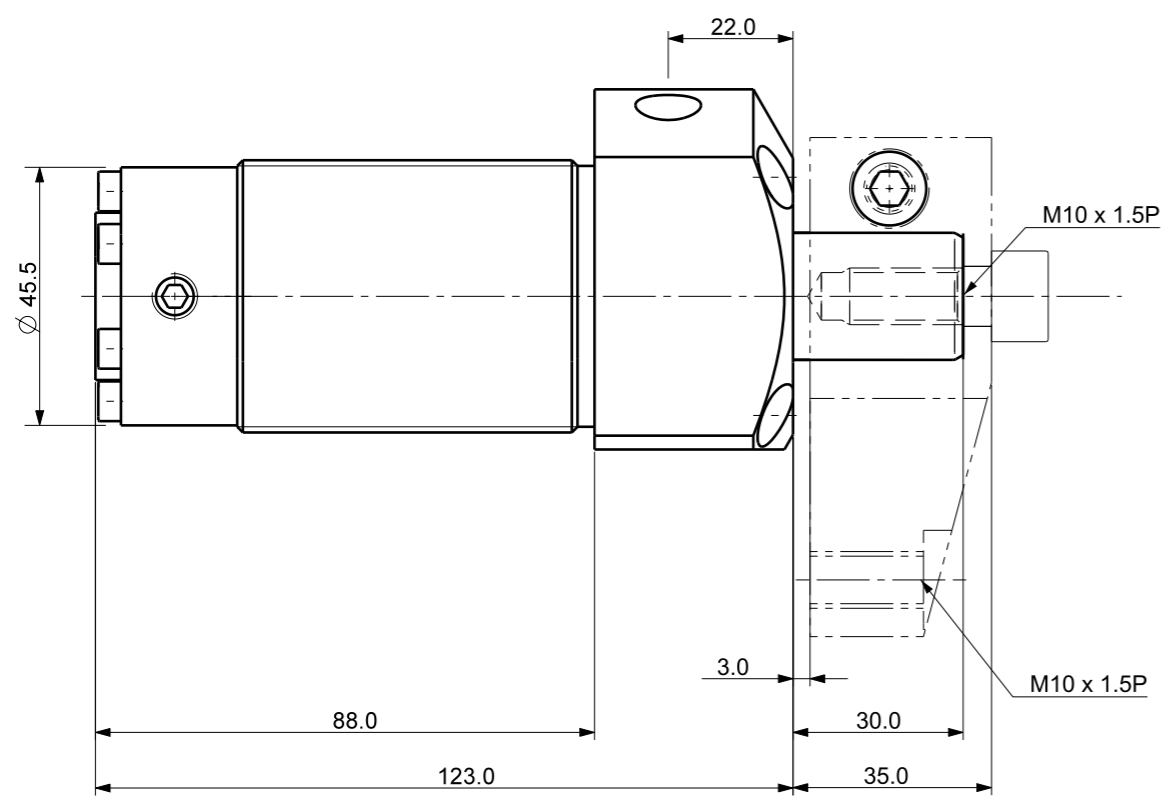
FILE NAME:

REVISIONS

ZONE	LTR	DESCRIPTION	DATE	APPROVED
------	-----	-------------	------	----------



Isometric view (1:2)



DET. NO	NAME	QTY	MAT'L	FINAL SIZES & PART No	REMARK
UNLESS OTHERWISE SPECIFIED		SIGNATURES		MO-DA-YR	
DIMENSIONS ARE IN MM		DRAWN		TITLE	
ALL SURFACES 6.3S		CHECKED		KJF 케이제이에프(주) TOTAL CLAMPING SYSTEMS	
TOLERANCES		APPROVED		HYD. SWING CLAMP	
ANGLE ±		[Symbol]		REF DWG NO. ---	
X ±		[Symbol]		DWG NO. SDx-3030	
.X ± 0.15		[Symbol]		A3	
.XX ±		[Symbol]		SCALE 3/4	
FINISH		WORK ORDER NO		TOOL <input type="checkbox"/> PART <input type="checkbox"/> SHEET OF	
HEAT TREAT					