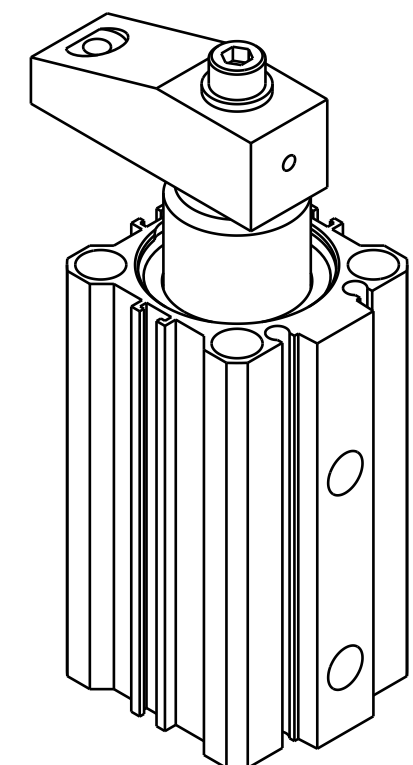
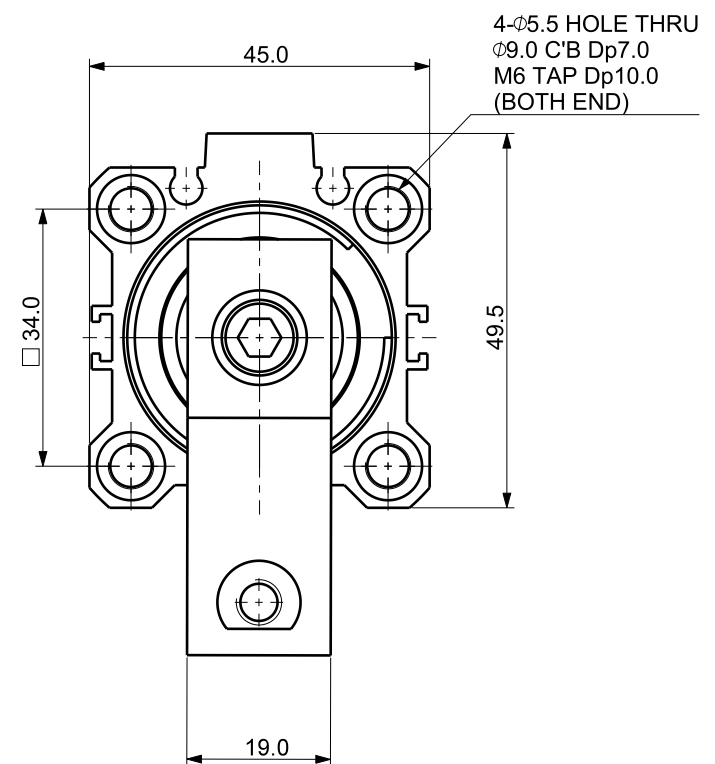
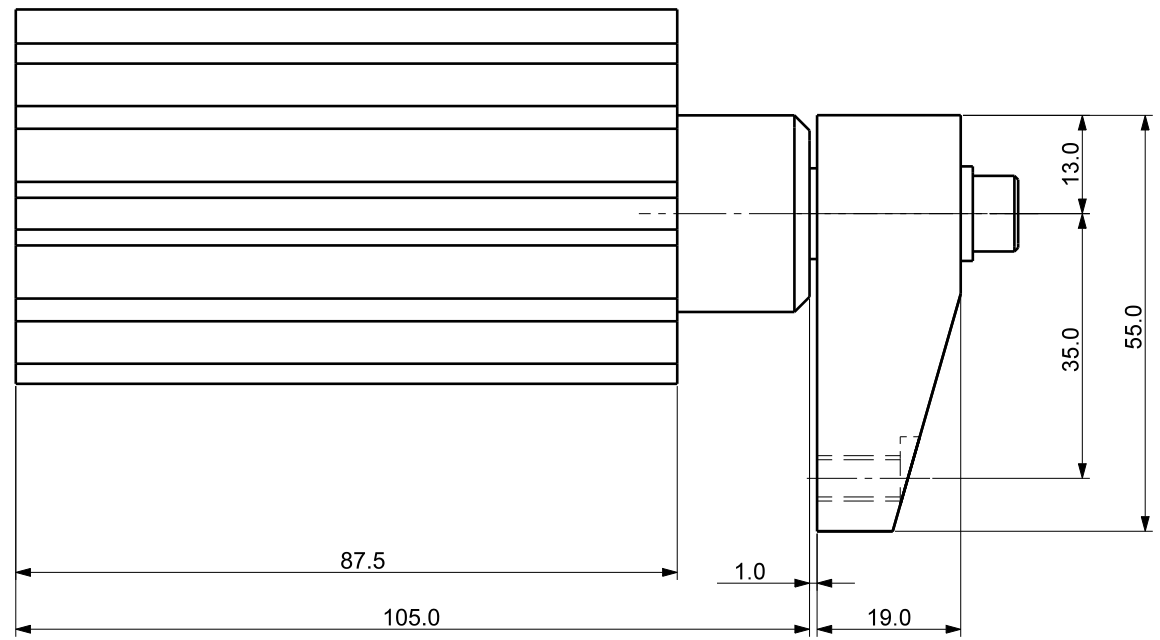
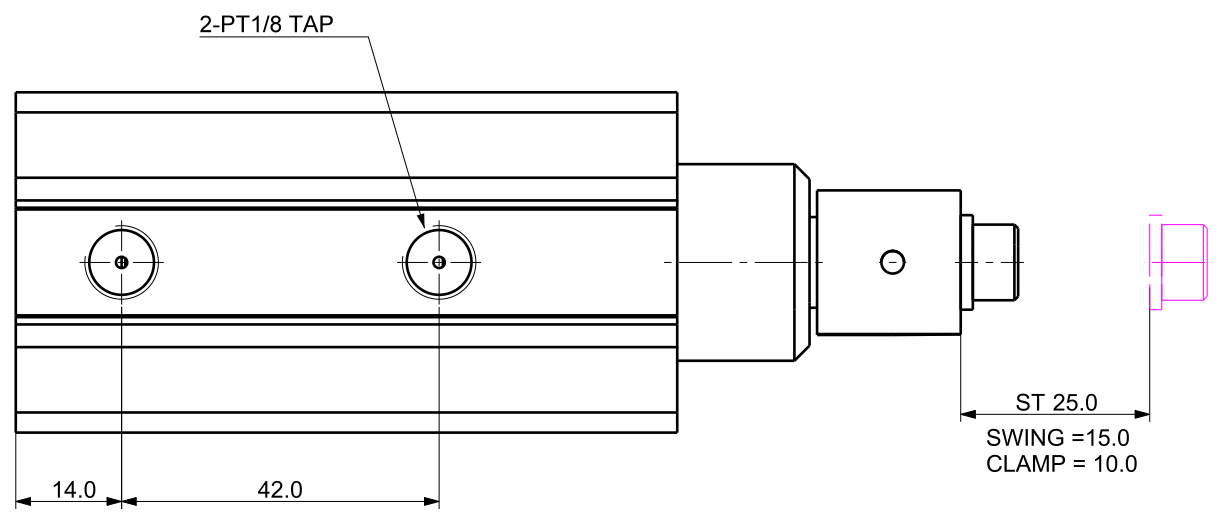


FILE NAME:


REVISIONS				
ZONE	LTR	DESCRIPTION	DATE	APPROVED
△				
△				



Isometric view (3:4)

DET.NO	NAME	QTY	MAT'L	FINAL SIZES	REMARK

UNLESS OTHERWISE SPECIFIED	SIGNATURES	MO-DA-YR
DIMENSIONS ARE IN MM	DRAWN	
ALL SURFACES 6.3S	CHECKED	
TOLERANCES	APPROVED	
ANGLE ±		
X ±		
.X ± 0.15		
.XX ±		
FINISH	WORK ORDER NO	
HEAT TREAT		

 케이제이에프(주) TOTAL CLAMPING SYSTEMS	
AIR SWING CLAMP	
REF DWG NO.	DWG NO.
	SDx-3225AE_A
SCALE	TOOL <input type="checkbox"/> PART <input type="checkbox"/> SHEET <input type="checkbox"/> OF
	A3