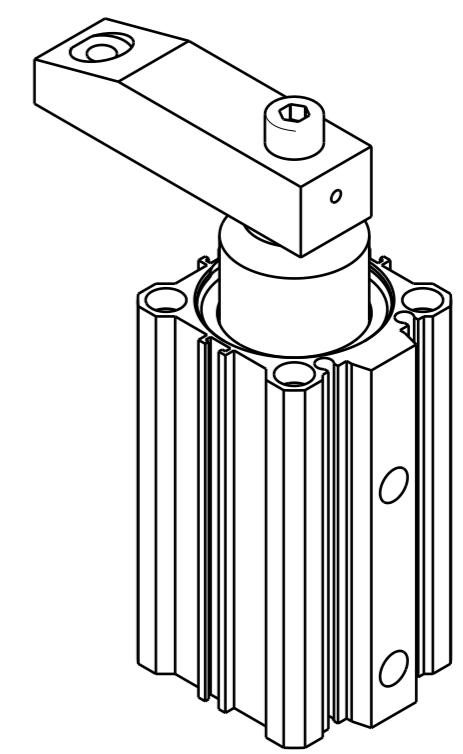
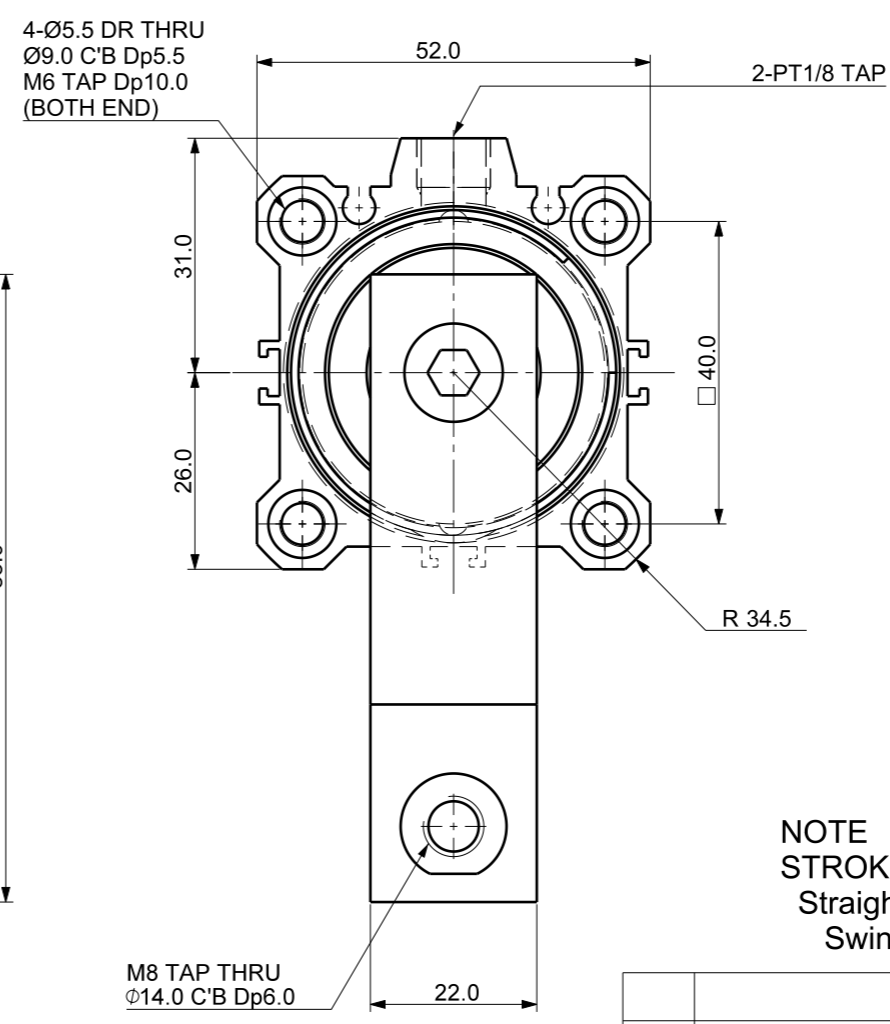
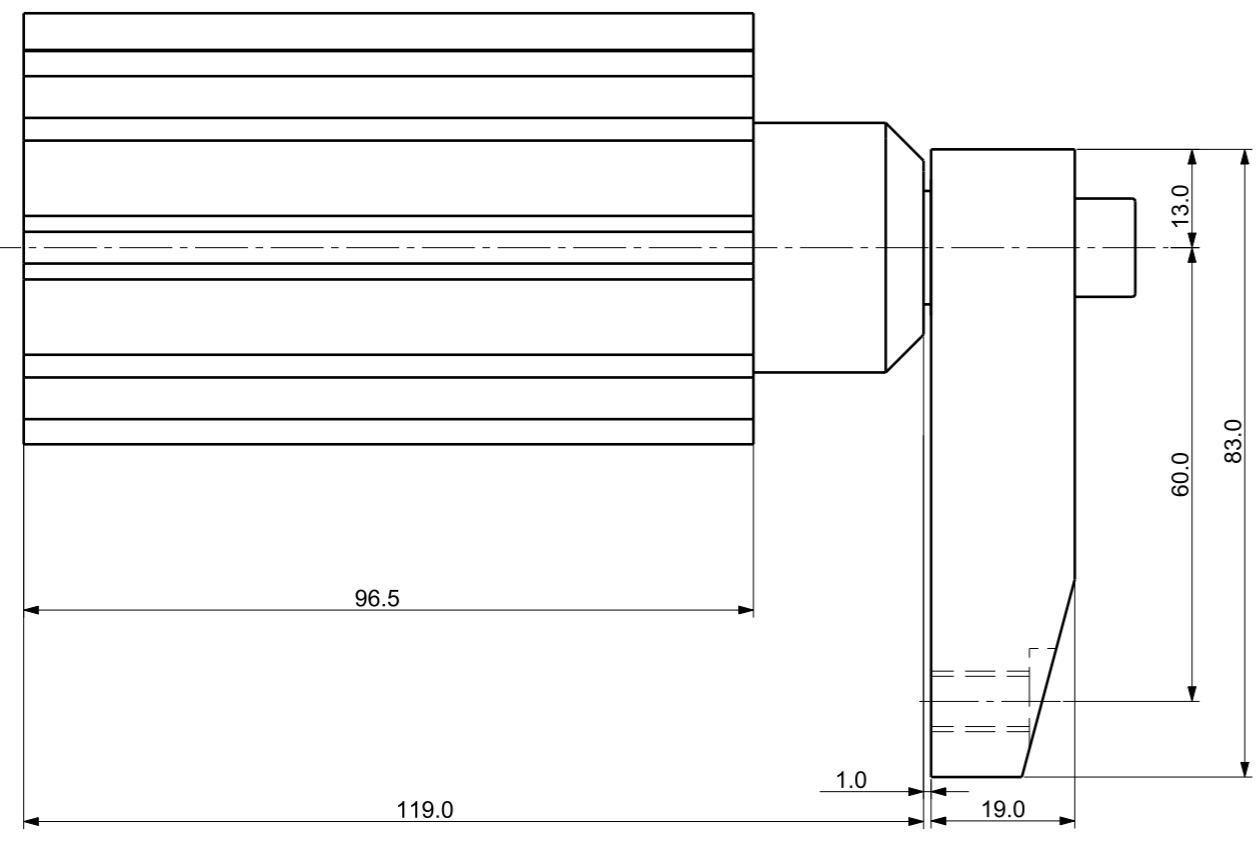
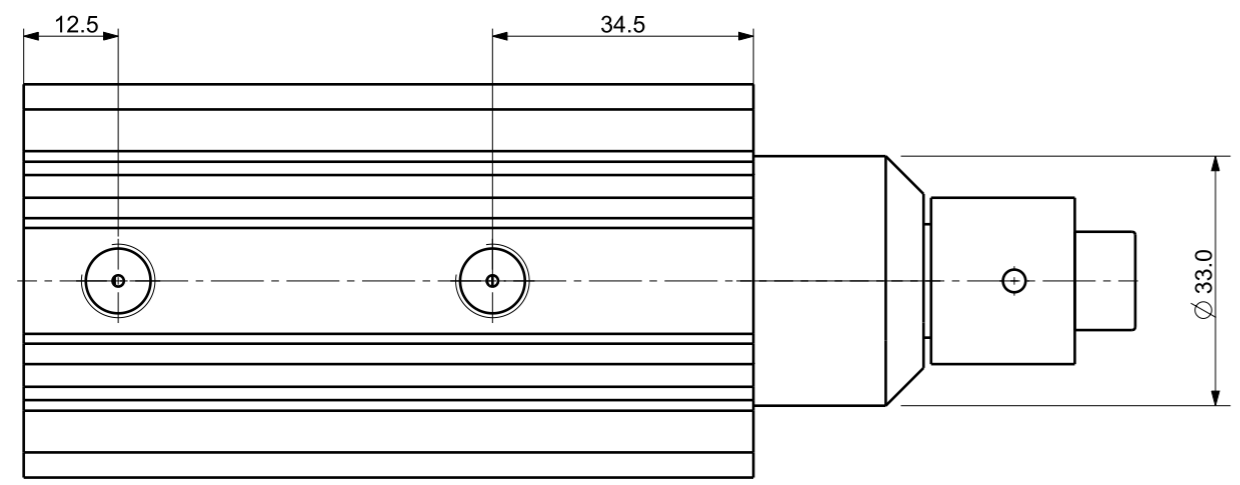


FILE NAME:

REVISIONS				
ZONE	LTR	DESCRIPTION	DATE	APPROVED
△				
△				



Isometric view (3:5)

NOTE
 STROKE : 32.0mm
 Straight : 15.0mm
 Swing : 17.0mm

DET.NO	NAME	QTY	MAT'L	FINAL SIZES & PART No	REMARK

UNLESS OTHERWISE SPECIFIED	SIGNATURES	MO-DA-YR	케이제이에프(주) TOTAL CLAMPING SYSTEMS			
DIMENSIONS ARE IN MM	DRAWN					
ALL SURFACES 6.3S	CHECKED					
TOLERANCES	APPROVED					
ANGLE			AIR SWING CLAMP			
X ±						
.X ± 0.15						
.XX ±						
FINISH	WORK ORDER NO	REF DWG NO.	DWG NO	SDx-4032AE_A A3		
HEAT TREAT		---				
		SCALE	TOOL	PART	SHEET	OF