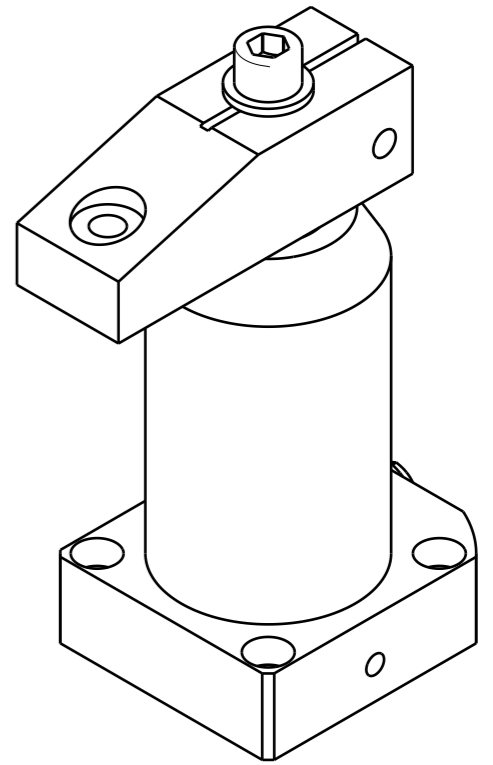
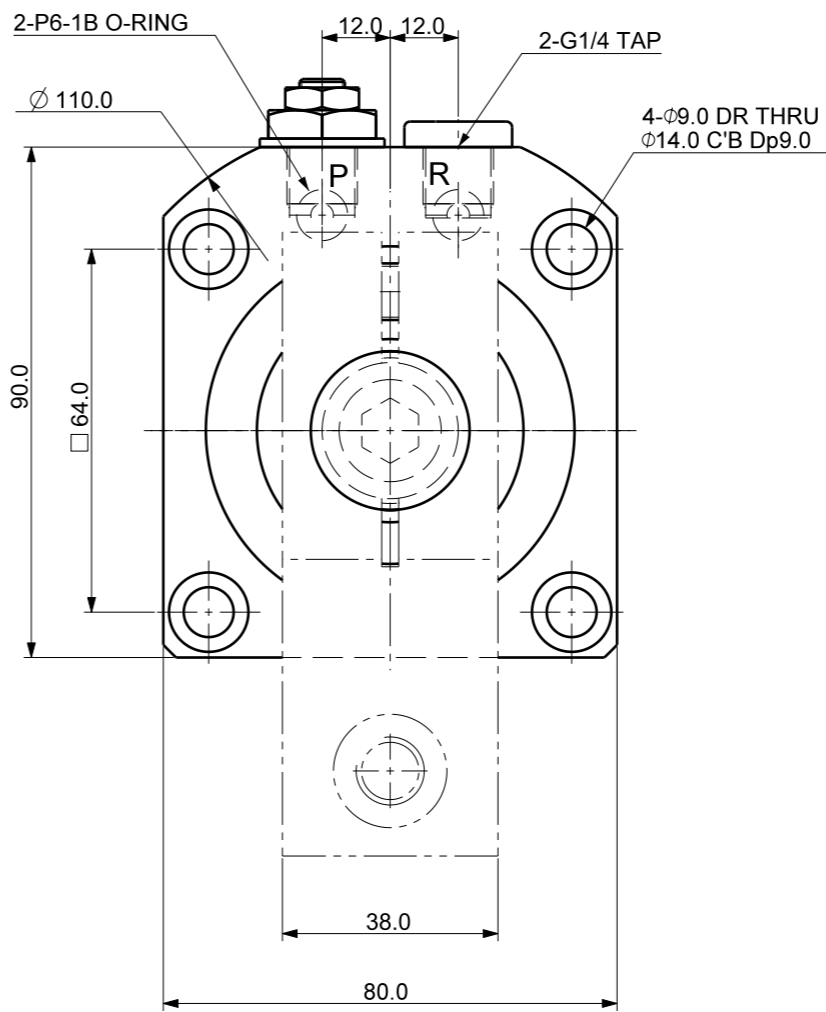
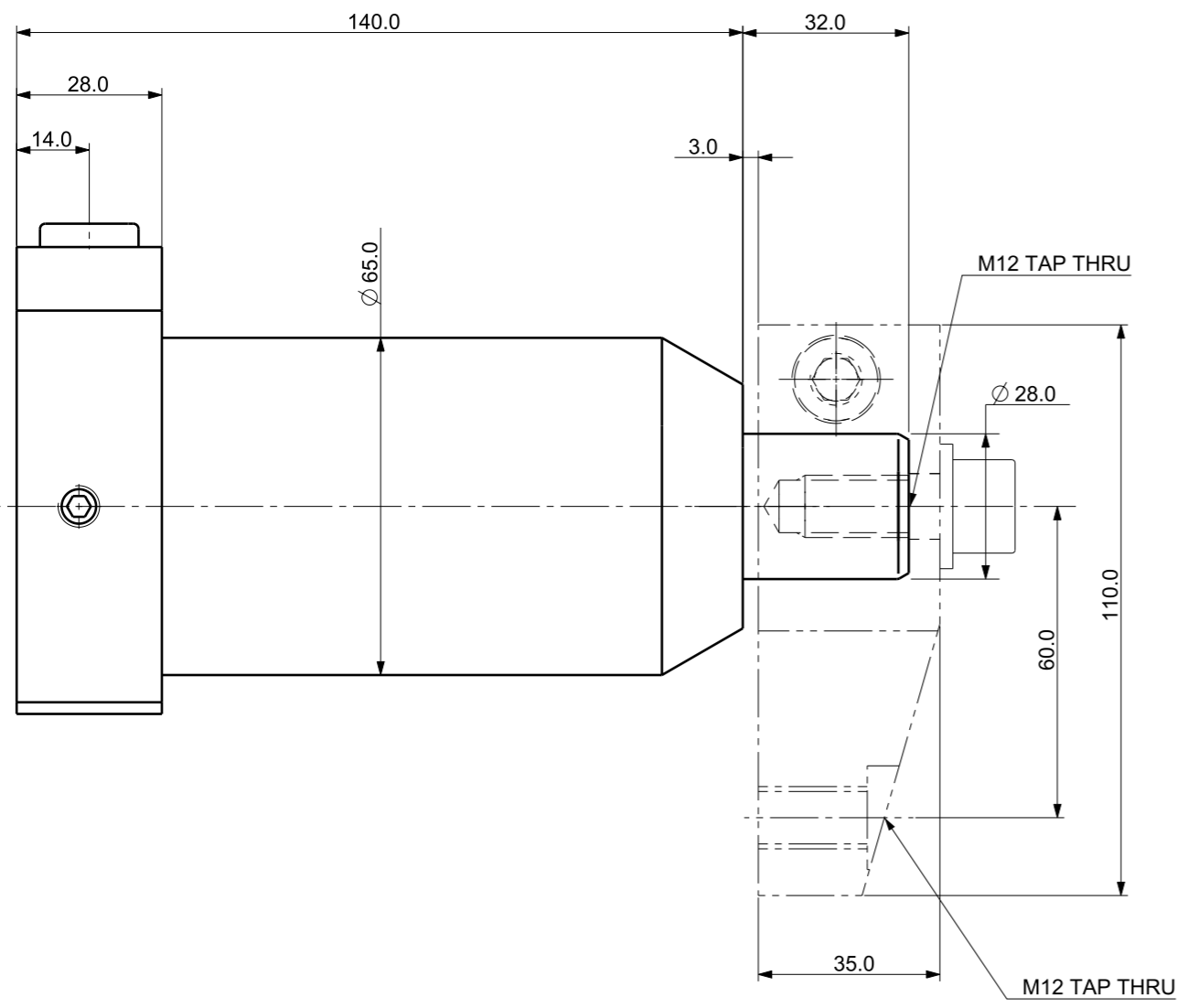


FILE NAME:

REVISIONS				
ZONE	LTR	DESCRIPTION	DATE	APPROVED



Isometric view (1:2)

DET. NO	NAME	QTY	MAT'L	FINAL SIZES & PART No	REMARK
UNLESS OTHERWISE SPECIFIED		SIGNATURES		MO-DA-YR	
DIMENSIONS ARE IN MM		DRAWN			
ALL SURFACES 6.3S		CHECKED			
TOLERANCES		APPROVED		TITLE	
ANGLE ±					
.X ±					
.X ± 0.15					
.XX ±					
FINISH		WORK ORDER NO		REF DWG NO.	
HEAT TREAT				DWG NO	
				SDx-4045FGV	
				A3	
				SCALE / TOOL <input type="checkbox"/> PART <input type="checkbox"/> SHEET OF	



HYD. SWING CLAMP

SDx-4045FGV

A3

SCALE / TOOL PART SHEET OF