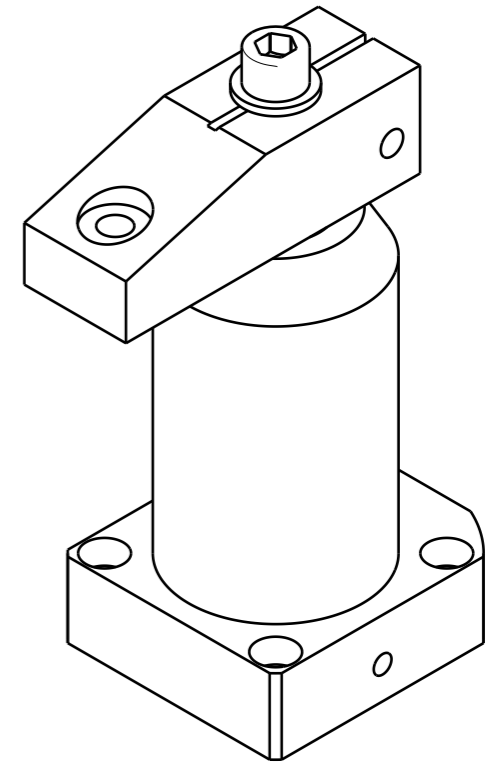
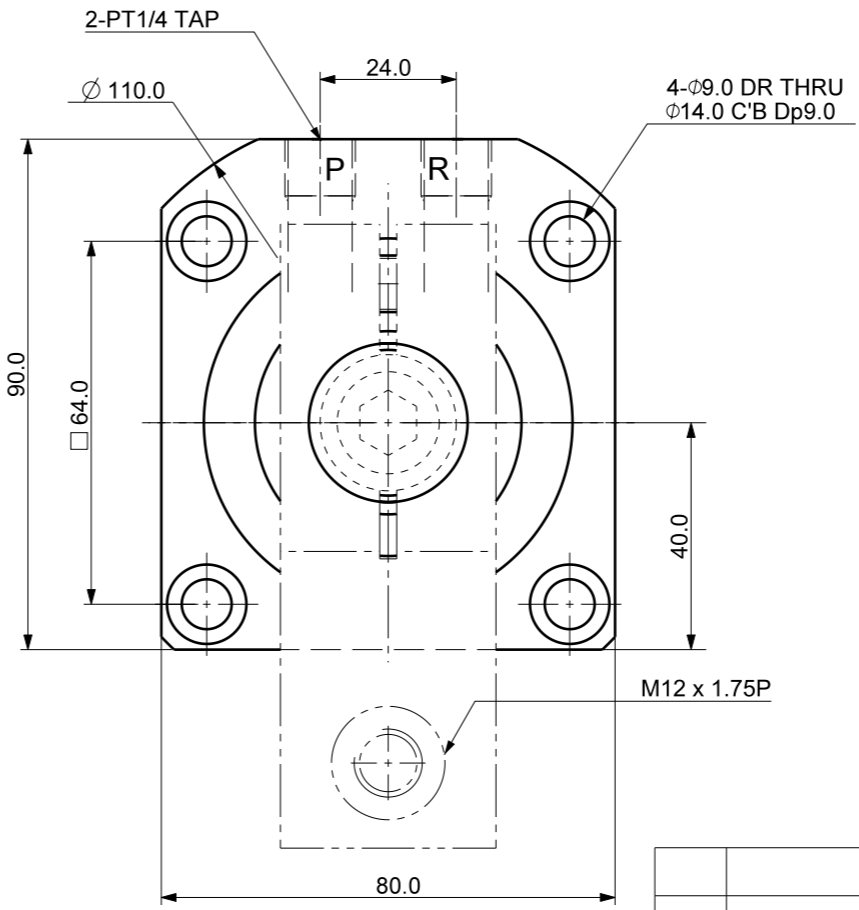
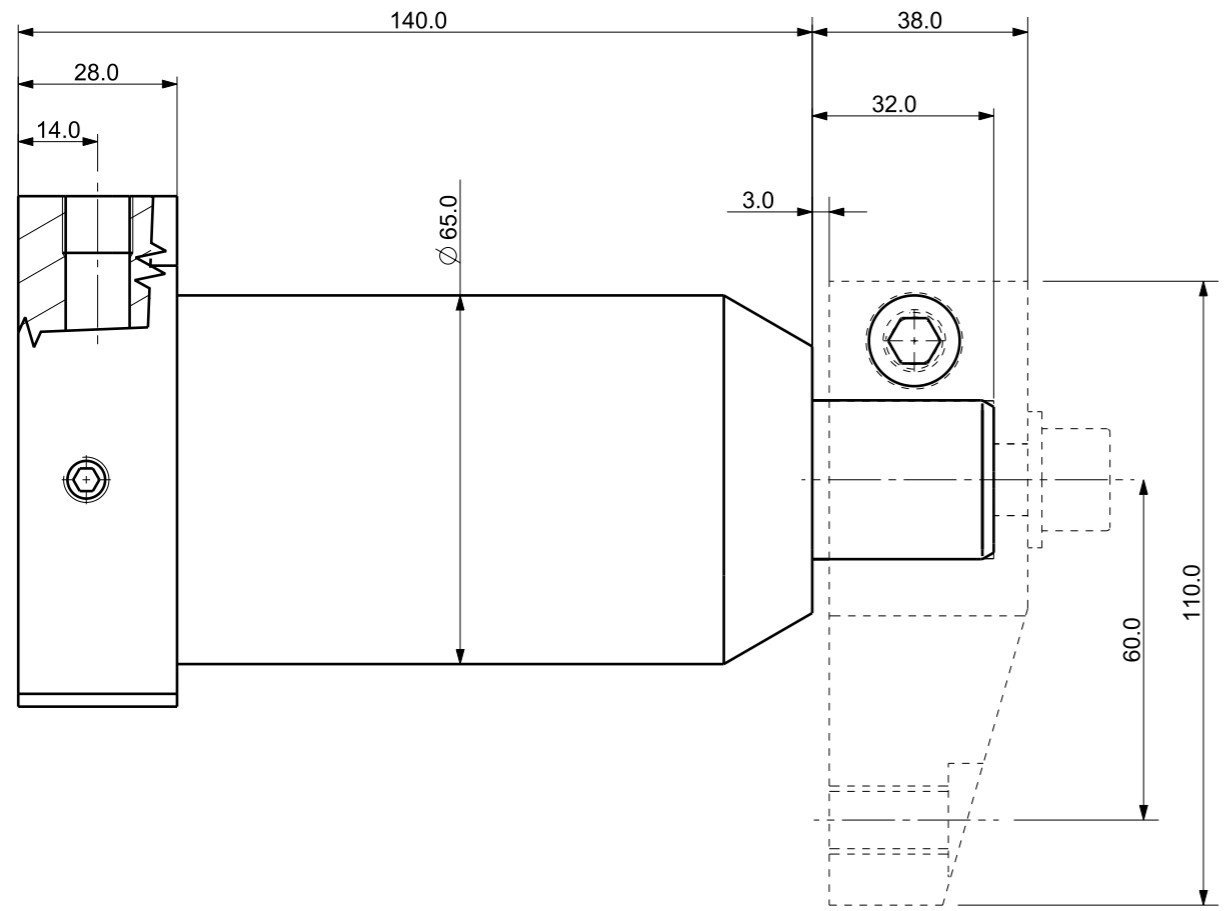
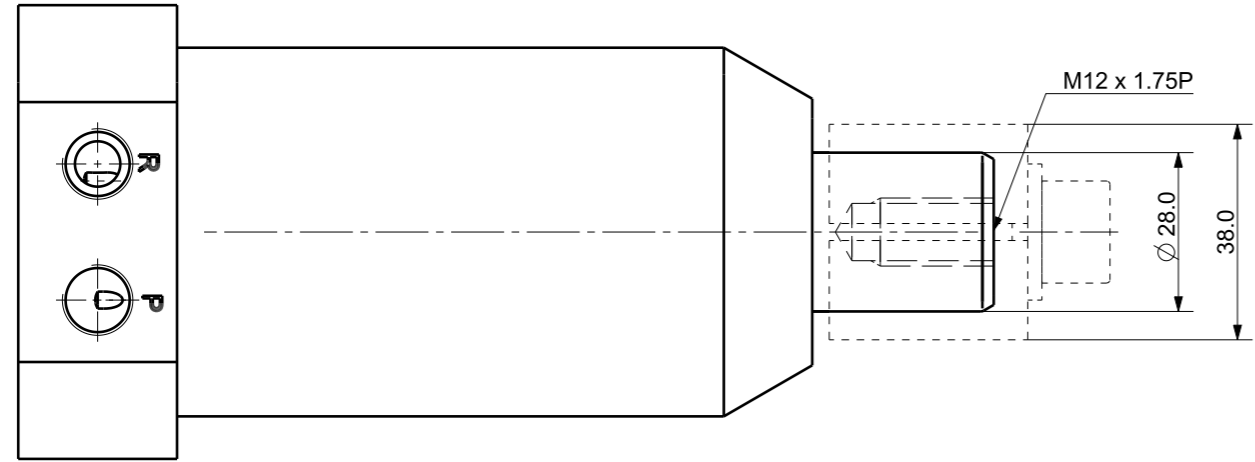


REVISIONS				
ZONE	LTR	DESCRIPTION	DATE	APPROVED



Isometric view (1:2)

DET. NO	NAME	QTY	MAT'L	FINAL SIZES & PART No	REMARK

UNLESS OTHERWISE SPECIFIED	SIGNATURES	MO-DA-YR
DIMENSIONS ARE IN MM	DRAWN	
ALL SURFACES 6.3S	CHECKED	
TOLERANCES	APPROVED	
ANGLE ±		
X ±		
.X ± 0.15		
.XX ±		
FINISH	WORK ORDER NO	REF DWG NO.
HEAT TREAT		---
		DWG NO
		SDx-4045F
		SCALE
		TOOL <input type="checkbox"/> PART <input type="checkbox"/> SHEET <input type="checkbox"/> OF



SWING CLAMP

A3