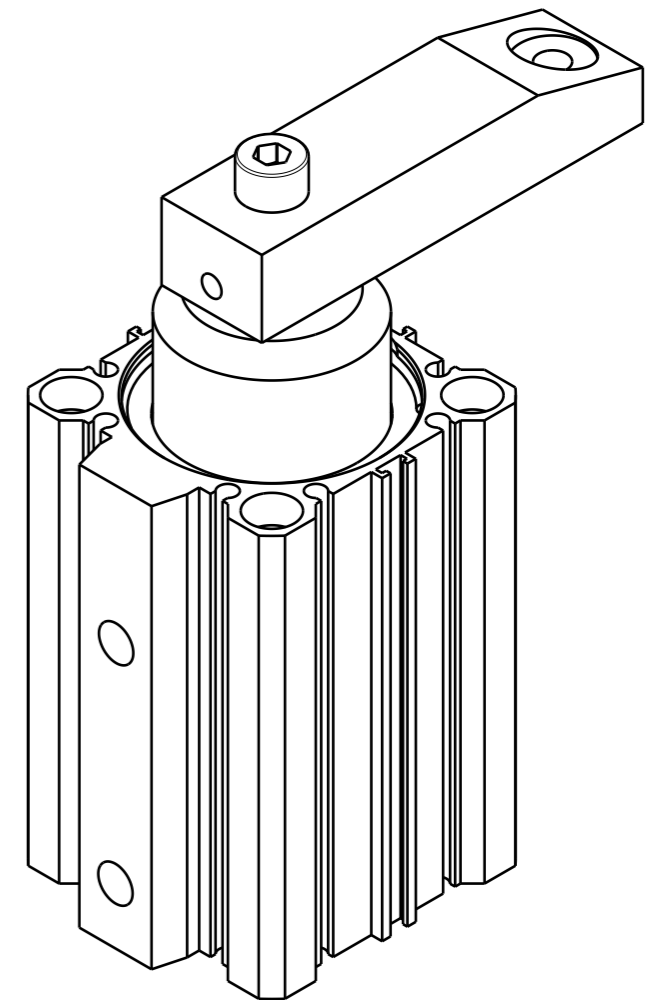
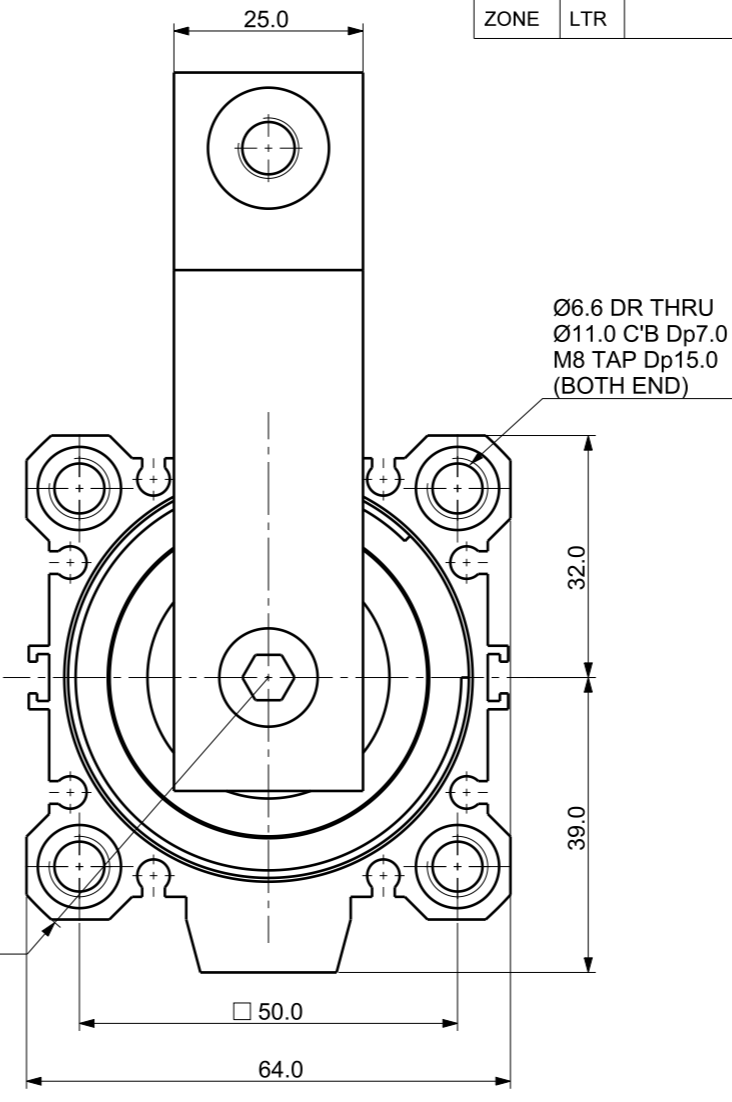
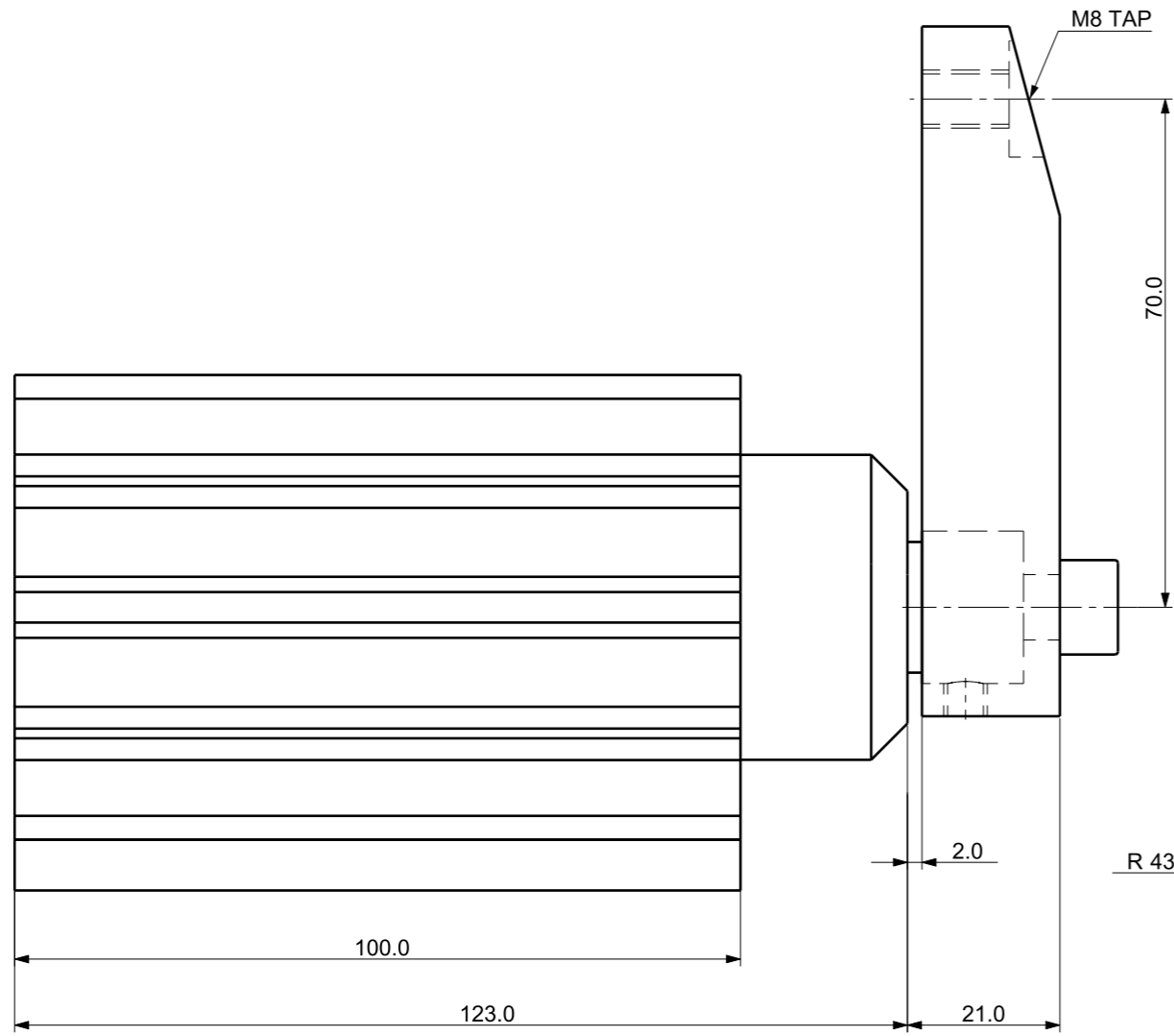
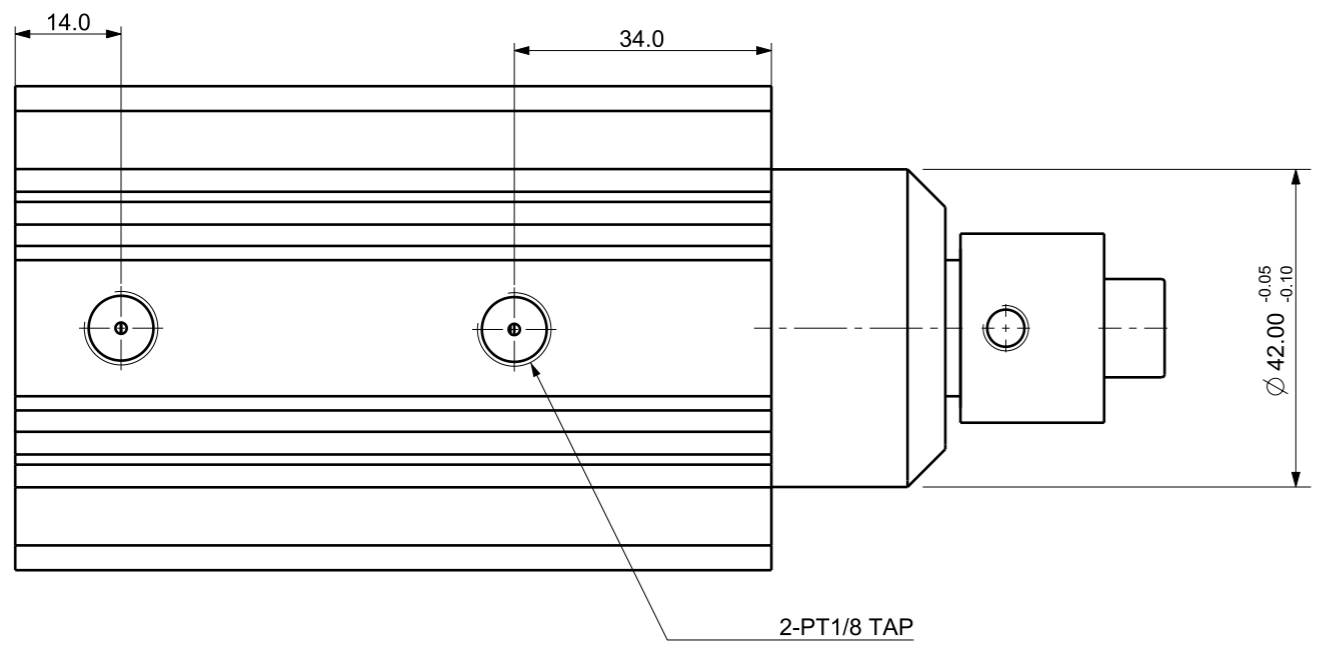


FILE NAME:

REVISIONS				
ZONE	LTR	DESCRIPTION	DATE	APPROVED



Isometric view (3:4)



NOTE
 1. STROKE : 32.0 mm
 직진 : 15.0 mm
 회전 : 17.0 mm

DET. NO	NAME	QTY	MATL	FINAL SIZES & PART No	REMARK
UNLESS OTHERWISE SPECIFIED		SIGNATURES		MO-DA-YR	
DIMENSIONS ARE IN MM		DRAWN		TITLE	
ALL SURFACES 6.3S		CHECKED		KJF 케이제이에프(주) TOTAL CLAMPING SYSTEMS	
TOLERANCES		APPROVED		AIR SWING CLAMP	
ANGLE				REF DWG NO.	
X ±				DWG NO	
.X ± 0.15				SDx-5032AE_A	
.XX ±				A3	
FINISH		WORK ORDER NO		SCALE	
HEAT TREAT				TOOL <input type="checkbox"/> PART <input type="checkbox"/> SHEET <input type="checkbox"/> OF	