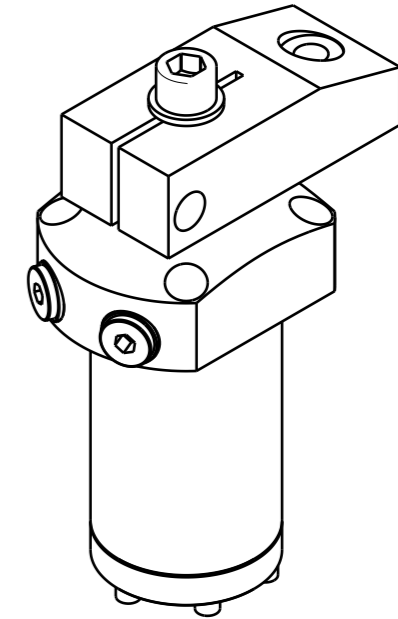
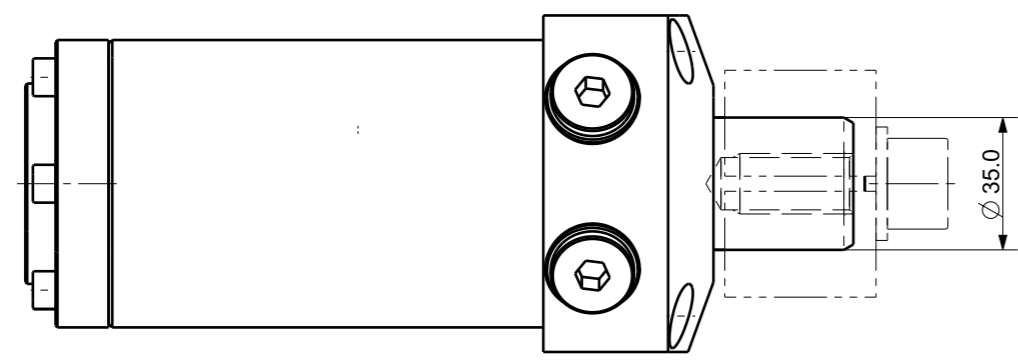
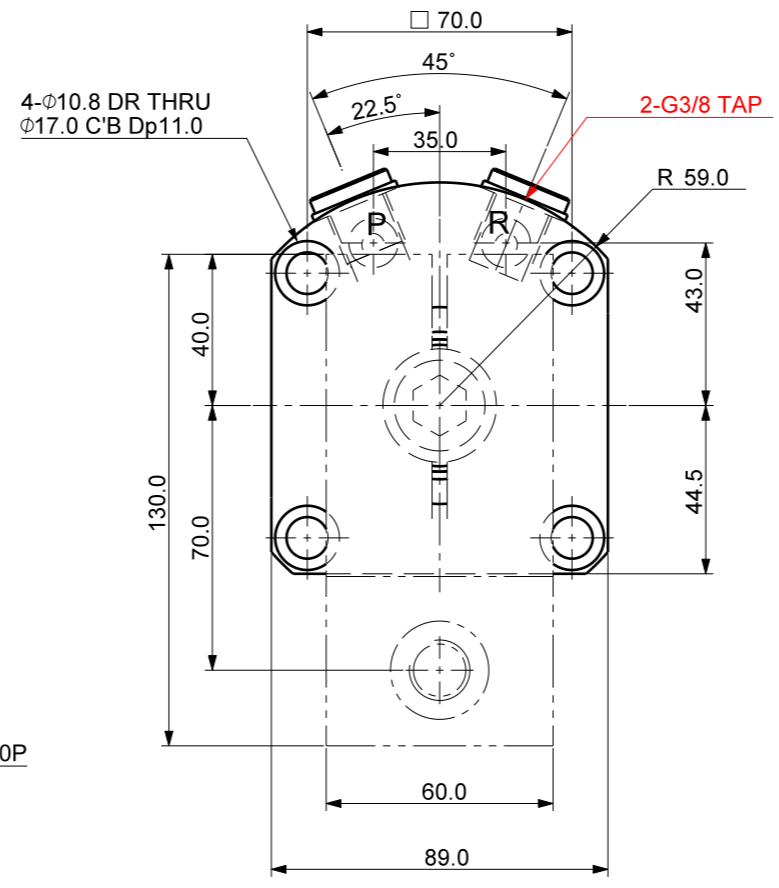
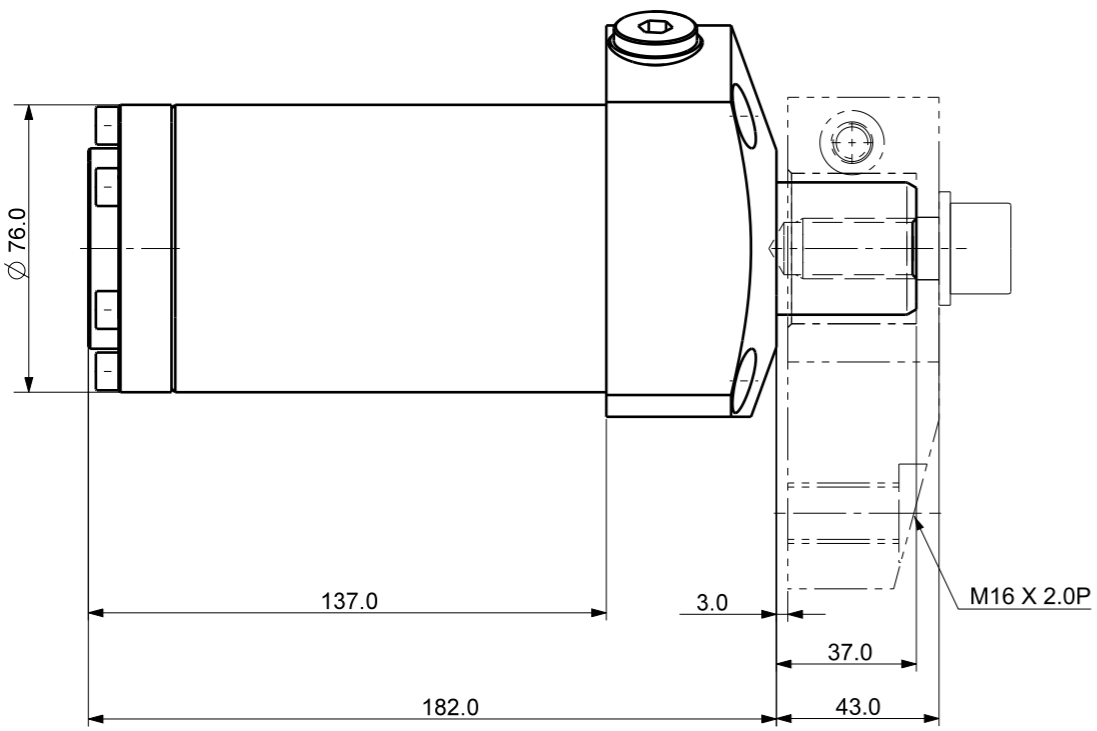


FILE NAME:


REVISIONS				
ZONE	LTR	DESCRIPTION	DATE	APPROVED



Isometric view (1:3)



DET. NO	NAME	QTY	MAT'L	FINAL SIZES & PART No	REMARK

UNLESS OTHERWISE SPECIFIED	SIGNATURES	MO-DA-YR	 케이제이에프(주) TOTAL CLAMPING SYSTEMS		
DIMENSIONS ARE IN MM	DRAWN				
ALL SURFACES 6.3S	CHECKED				
TOLERANCES	APPROVED				
ANGLE			TITLE		
X ±			HYD. SWING CLAMP		
.X ± 0.15			REF DWG NO.		
.XX ±			DWG NO.		
FINISH	WORK ORDER NO		---	SDx-5555G	A3
HEAT TREAT			SCALE 1/2	TOOL <input type="checkbox"/> PART <input type="checkbox"/> SHEET	OF