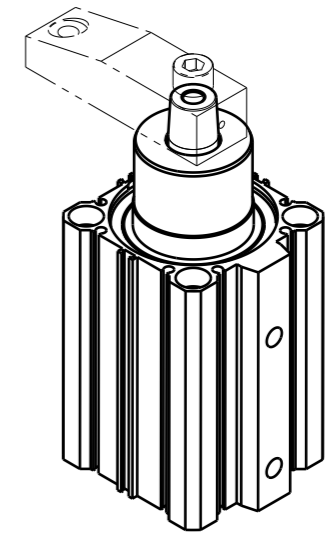
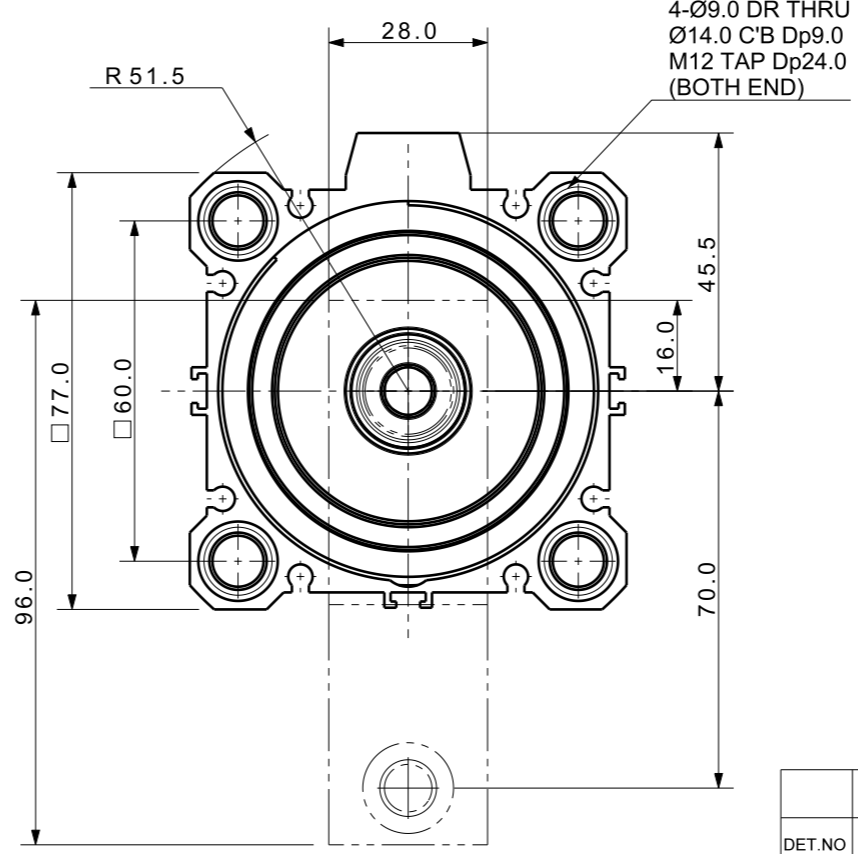
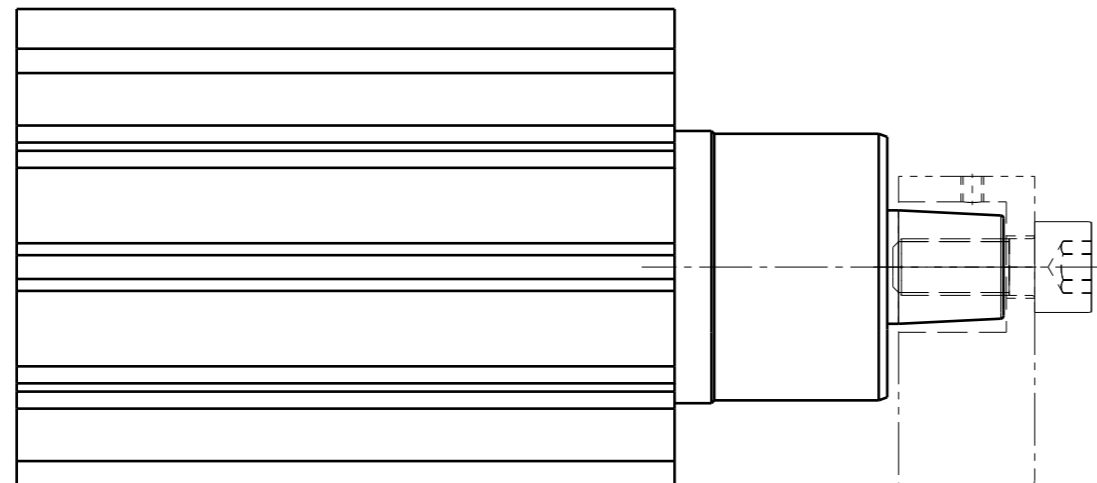
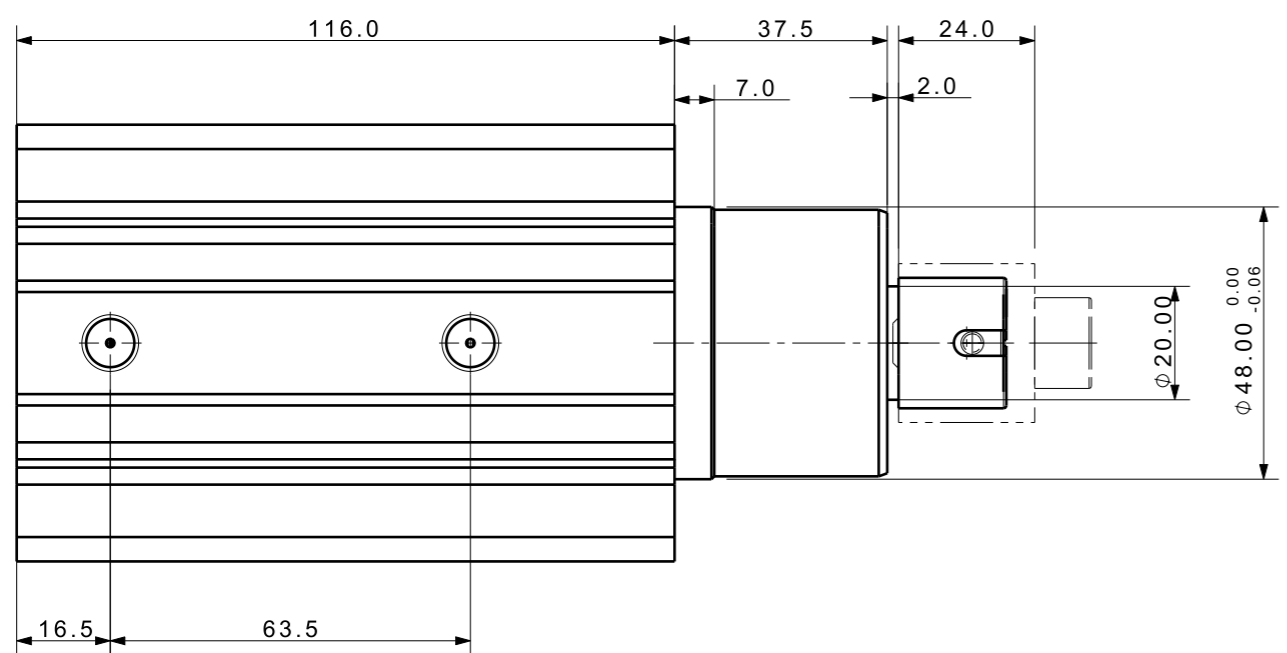


FILE NAME:

REVISIONS				
ZONE	LTR	DESCRIPTION	DATE	APPROVED



Isometric view (1:3)

DET. NO	NAME	QTY	MATL	FINAL SIZES & PART No	REMARK

UNLESS OTHERWISE SPECIFIED	SIGNATURES	MO-DA-YR
DIMENSIONS ARE IN MM	DRAWN	
ALL SURFACES 6.3S	CHECKED	
TOLERANCES	APPROVED	
ANGLE		
X		
.X		
.XX		
FINISH	WORK ORDER NO	
HEAT TREAT		

		TITLE
<p>AIR SWING CLAMP</p>		
REF DWG NO.	DWG NO	
---	SDx-6341AE_ -	A3
SCALE	TOOL	PART
	<input type="checkbox"/>	<input type="checkbox"/>
	SHEET	OF