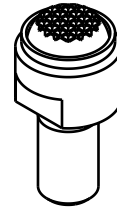
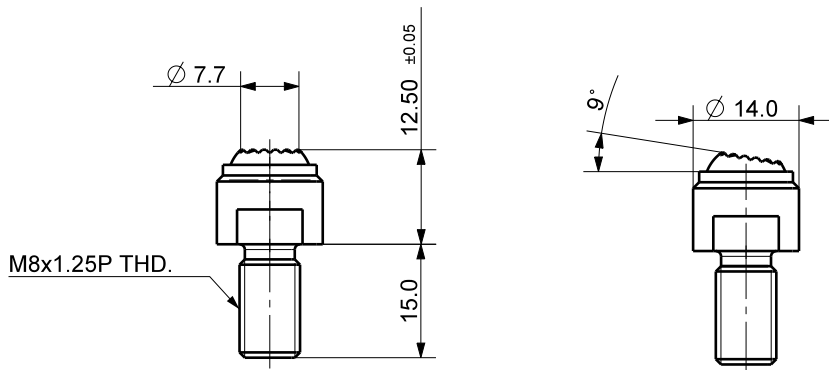
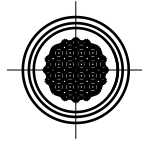

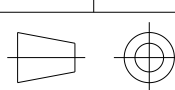


REVISIONS				
ZONE	LTR	DESCRIPTION	DATE	APPROVED



Isometric view (1:1)



DET. NO	NAME	Q'TY	MAT'L	FINAL SIZES & PART No	REMARK
UNLESS OTHERWISE SPECIFIED		SIGNATURES		MO-DA-YR	
DIMENSIONS ARE IN MM		DRAWN		 케이제이에프(주) TOTAL CLAMPING SYSTEMS	
ALL SURFACES 6.3s		CHECKED		TITLE	
TOLERANCES		APPROVED		<h1>SWIVEL PAD</h1>	
ANGLE ± .X ± .X ± 0.15 .XX ±					
FINISH		WORK ORDER NO		REF DWG NO.	DWG NO
HEAT TREAT				--	SPD-0815
				SCALE	TOOL <input type="checkbox"/> PART <input type="checkbox"/> SHEET OF

A4