

4

3

2

1

F

F

E

E

D

D

C

C

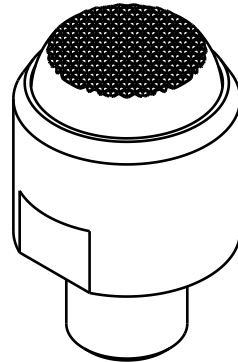
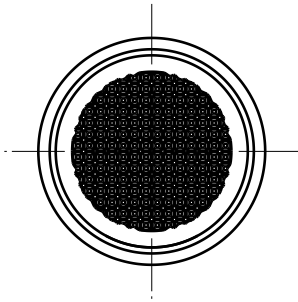
B

B

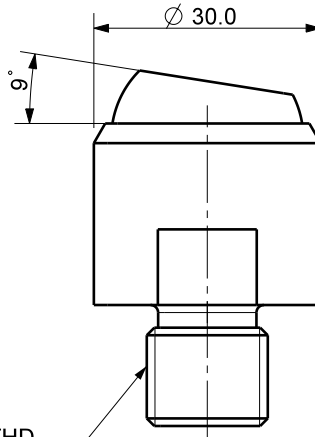
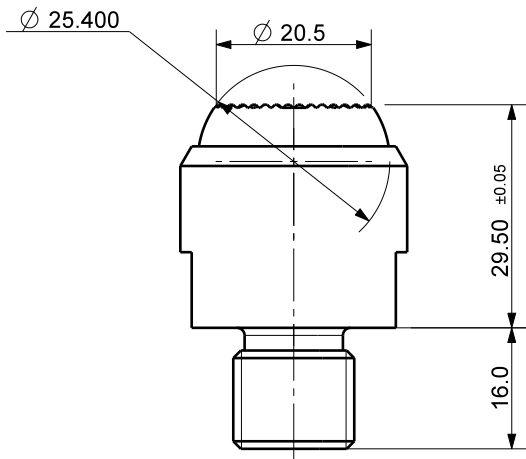
A

A

REVISIONS				
ZONE	LTR	DESCRIPTION	DATE	APPROVED



Isometric view (1:1)



M16 x 2.0p THD.

DET.NO	NAME	Q'TY	MAT'L	FINAL SIZES & PART No	REMARK
UNLESS OTHERWISE SPECIFIED		SIGNATURES		MO-DA-YR	
DIMENSIONS ARE IN MM		DRAWN ---		00-00-00	
ALL SURFACES 6.3s		CHECKED		TITLE	
TOLERANCES		APPROVED			
ANGLE					
.X ±				SWIVEL PAD	
.X ± 0.15					
.XX ±					
FINISH		WORK ORDER NO		REF DWG NO.	DWG NO
BLACK OXIDE				--	SPD-1600_-
HEAT TREAT				SCALE	TOOL <input type="checkbox"/> PART <input type="checkbox"/> SHEET OF
HRC18~22				/	



A4

4

3

2

1