

4

3

2

1

F

F

E

E

D

D

C

C

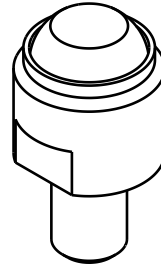
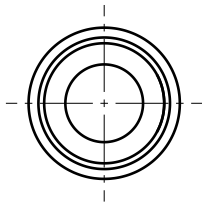
B

B

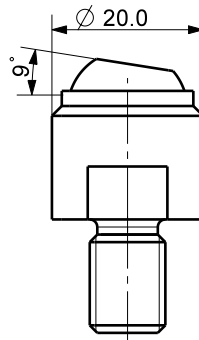
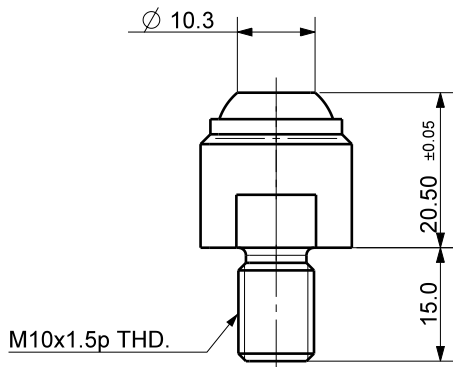
A


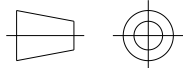
A

REVISIONS				
ZONE	LTR	DESCRIPTION	DATE	APPROVED



Isometric view (1:1)



UNLESS OTHERWISE SPECIFIED		SIGNATURES		MO-DA-YR	 케이제이에프(주) TOTAL CLAMPING SYSTEMS			
DIMENSIONS ARE IN MM		DRAWN			SWIVEL PAD			
ALL SURFACES 6.3s		CHECKED						
TOLERANCES		APPROVED						
ANGLE				SPF-1015				
.X ±								
.XX ± 0.15								
FINISH		WORK ORDER NO		REF DWG NO.	DWG NO	A4		
HEAT TREAT				--				
				SCALE	TOOL <input type="checkbox"/>	PART <input type="checkbox"/>	SHEET	OF

4

3

2

1