

4

3

2

1

F

F

E

E

D

D

C

C

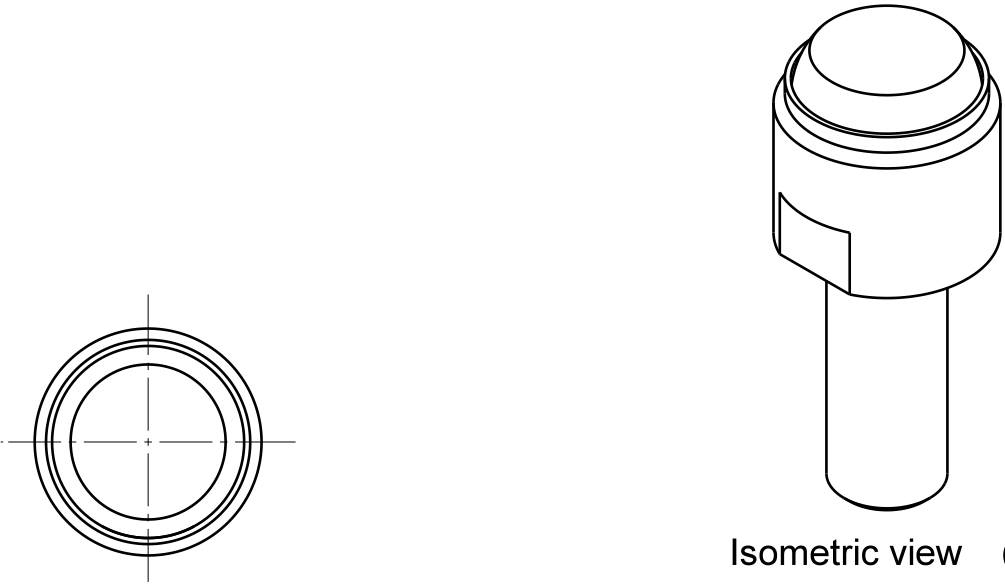
B

B


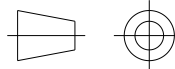
A

A

REVISIONS				
ZONE	LTR	DESCRIPTION	DATE	APPROVED



M16 x 2.0p THD.

UNLESS OTHERWISE SPECIFIED		SIGNATURES		MO-DA-YR		 <b>(주)케이제이에프</b> TOTAL CLAMPING SYSTEMS	
DIMENSIONS ARE IN MM		DRAWN				TITLE	
ALL SURFACES 6.3s		CHECKED				<b>SWIVEL PAD</b>	
TOLERANCES		APPROVED					
ANGLE						REF DWG NO.	
.X ±						DWG NO	
.X ± 0.15						<b>SPF-1640</b>	
FINISH		WORK ORDER NO				<b>A4</b>	
HEAT TREAT				SCALE		TOOL <input type="checkbox"/> PART <input type="checkbox"/> SHEET OF	

4

3

2

1